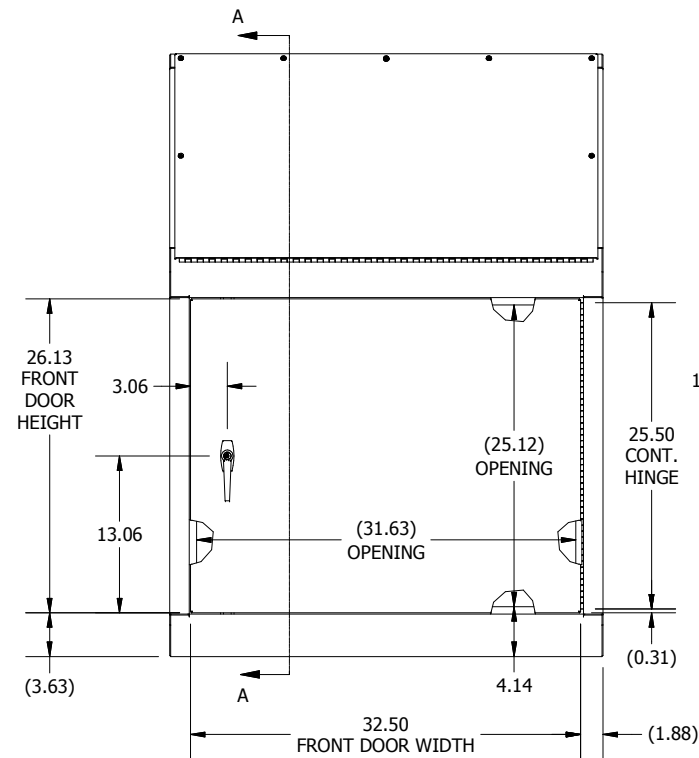
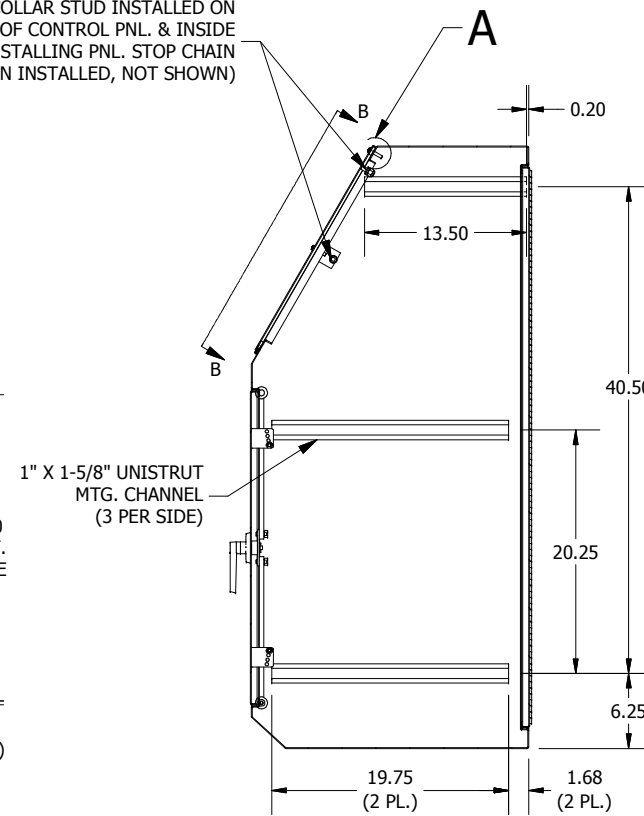


LEFT SIDE VIEW

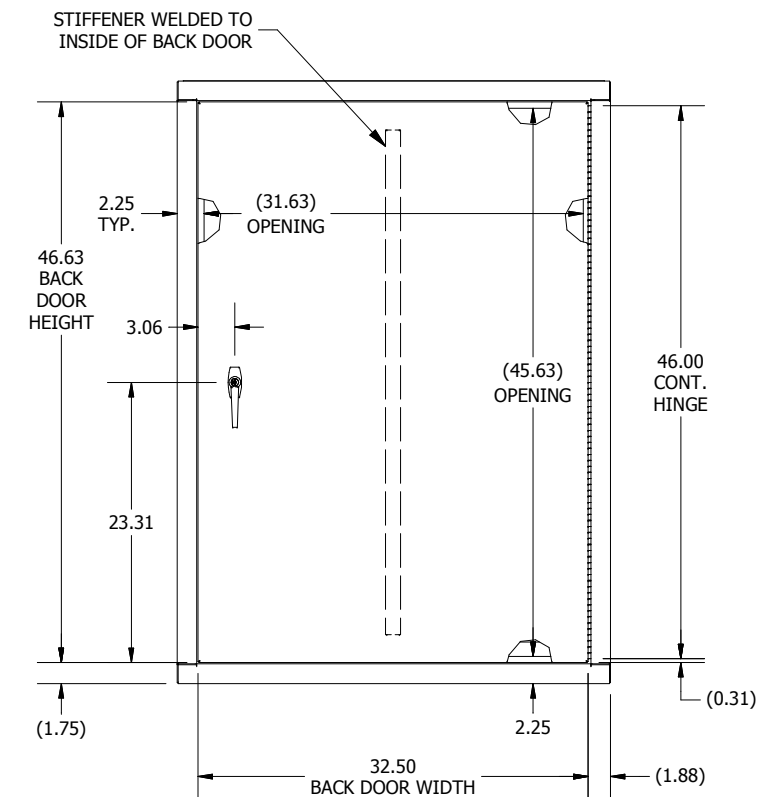


FRONT VIEW

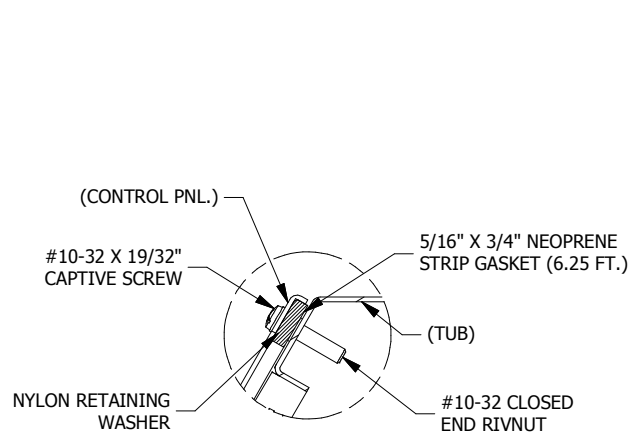
3/8-16 COLLAR STUD INSTALLED ON INSIDE FACE OF CONTROL PNL. & INSIDE OF TUB FOR INSTALLING PNL. STOP CHAIN (2 PL.) (CHAIN INSTALLED, NOT SHOWN)



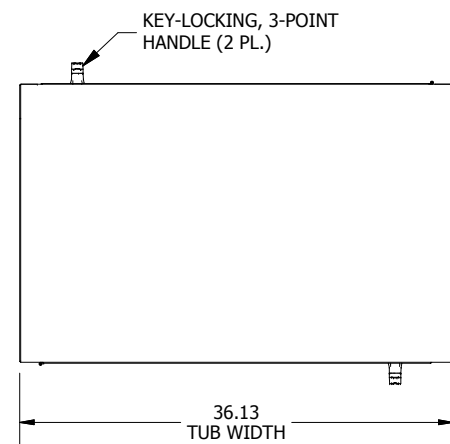
SECTION A-A
(INSIDE LEFT OF ENCL.)



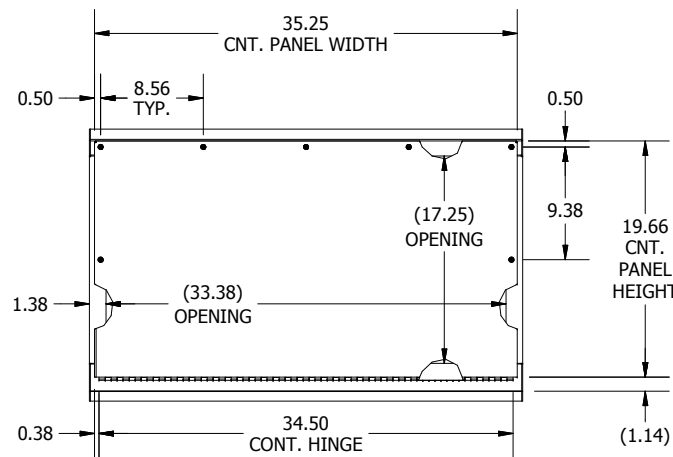
BACK VIEW



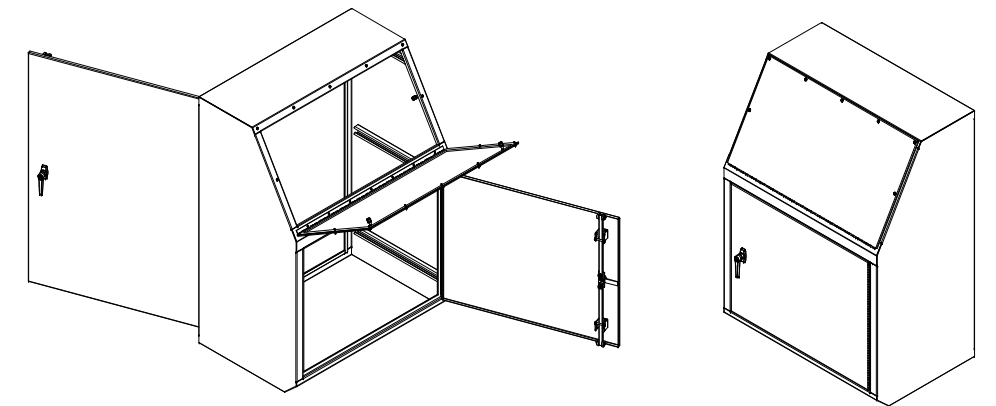
DETAIL A (7 PL.)
(CONTROL PNL. INSTALL DETAIL)



BOTTOM VIEW



VIEW B-B
(STRAIGHT ON VIEW OF CONTROL PANEL)



PART#: WC1436B
(DATA SUBJECT TO CHANGE WITHOUT NOTICE)