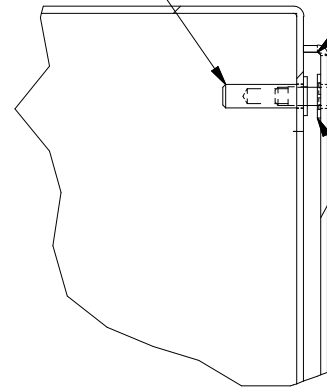


NUT, RIV, C. END,  
10-32X.080-.130G  
P/N#34984



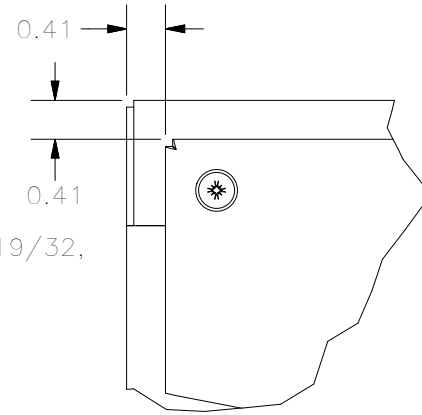
**DETAIL L**  
(16 PL.)

URETHANE  
GASKET INSTALLED

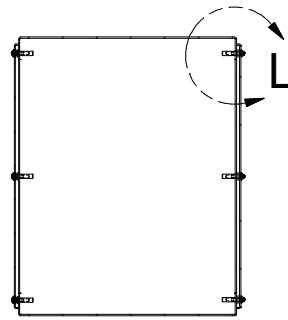
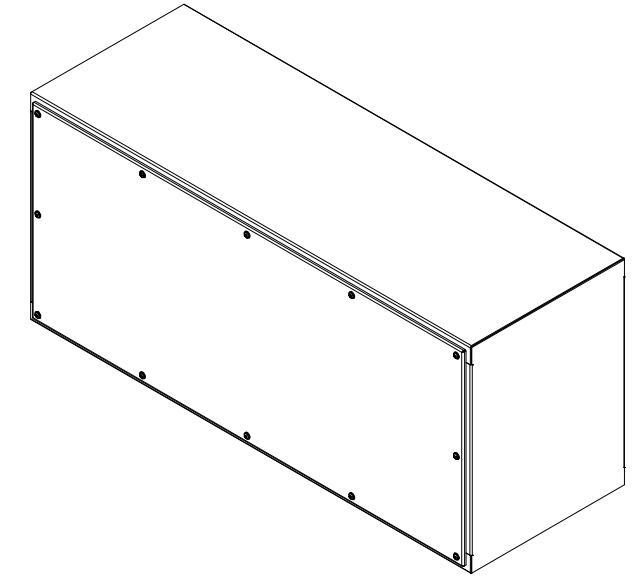
WASHER, RETAINING,  
NYLON, .453 OD.  
P/N#39077

SCREW, CAPTIVE, 10-32X19/32,  
P/N# 372163

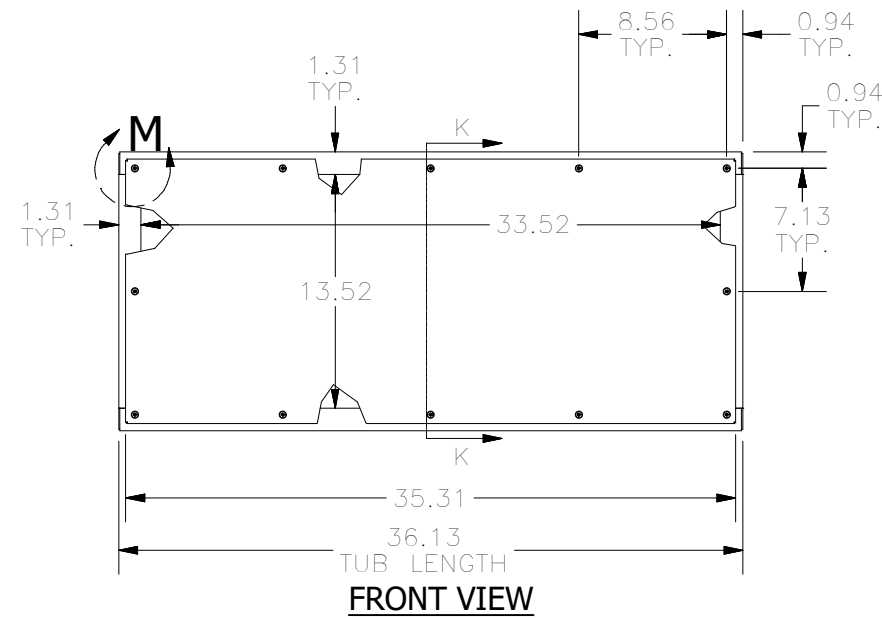
WASHER, RETAINING,  
NYLON, .453 OD.  
P/N#39077



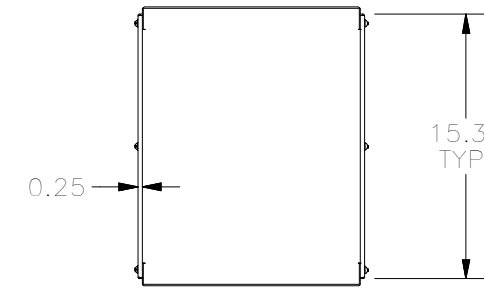
**DETAIL M**



**SECTION K-K**



**FRONT VIEW**



**RIGHT VIEW**

PART#: WC 1436T  
(DATA SUBJECT TO CHANGE WITHOUT NOTICE)

THIS DRAWING IS PROPERTY OF HUBBELL INC. WIEGMANN  
ALL INFORMATION IS PROPRIETARY AND NOT TO BE DUPLICATED