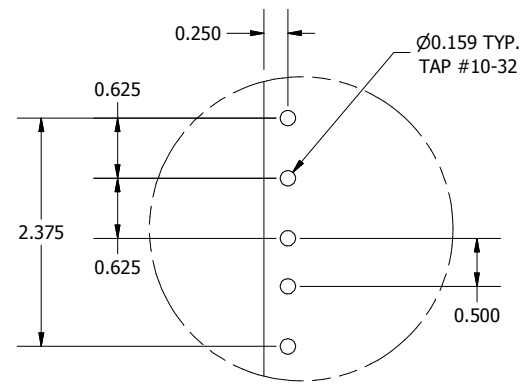
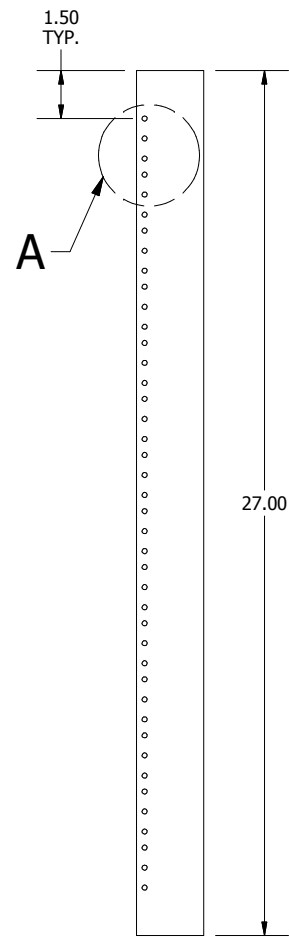


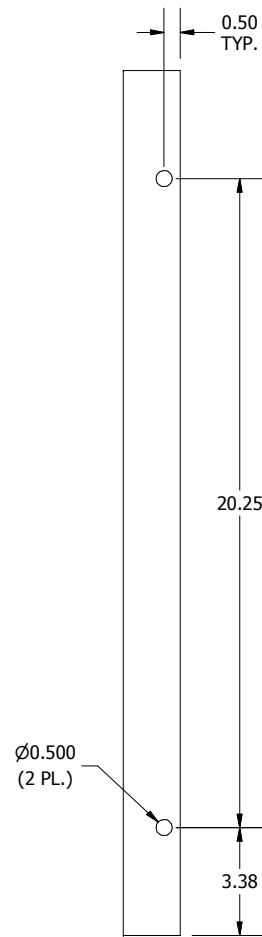
**TOP VIEW**



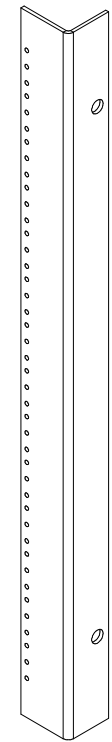
**DETAIL A (TYP.)  
(REPEATING HOLE PATTERN)**



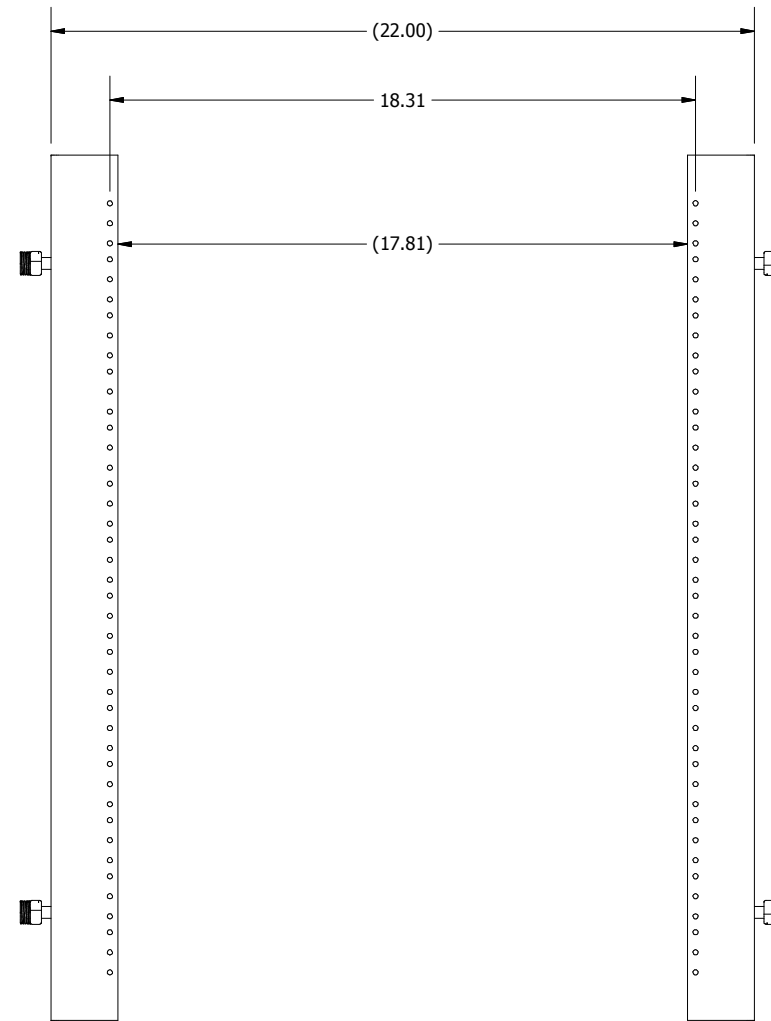
**RACK ANGLE FRONT VIEW**



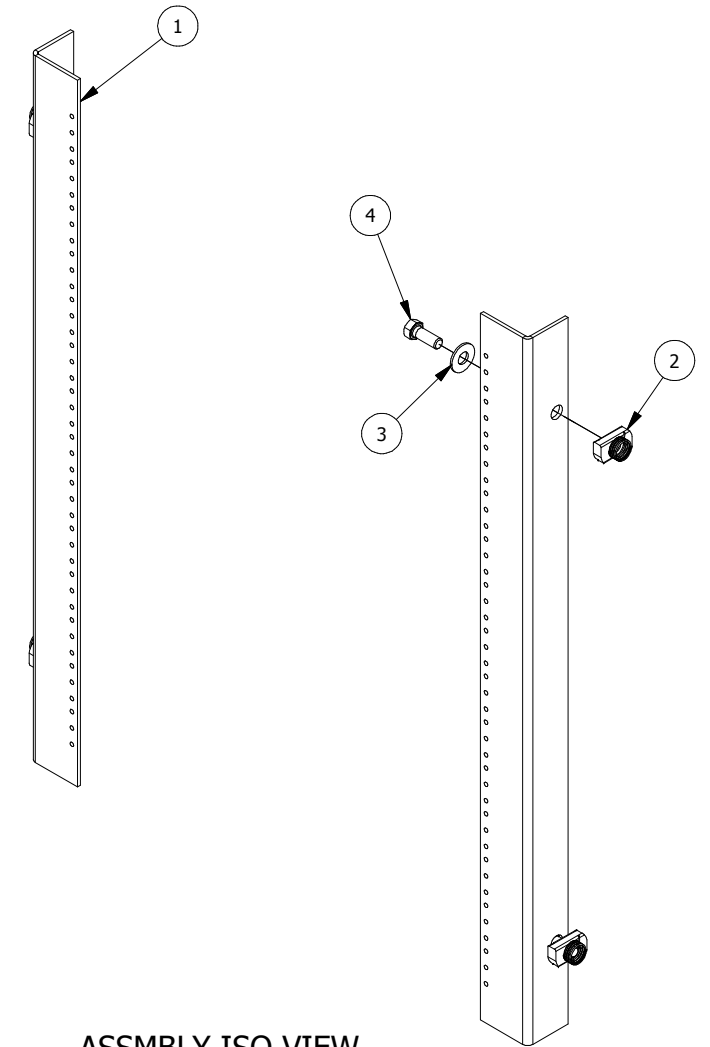
**SIDE VIEW**



**ISO VIEW**



**ASSMEBLY FRONT VIEW**



**ASSMBLY ISO VIEW**

WC14R PARTS LIST			
ITEM #	PART #	DESCRIPTION	QTY
1	N/A	WC14R RACK ANGLE, 10 GA. CARBON STEEL	2
2	34967	3/8-16 CLAMPING, SPRING NUT FOR INSTALLING IN UNISTRUT	4
3	39066	3/8" USS FLAT WASHER, ZINC PLATED STEEL	4
4	HF3024	3/8-16 X 1" HEX HEAD BOLT, ZINC PLATED STEEL	4

**PART#: WC14R  
(DATA SUBJECT TO CHANGE WITHOUT NOTICE)**

THIS DRAWING IS PROPERTY OF HUBBELL INC. WIEGMANN ALL INFORMATION IS PROPRIETARY AND NOT TO BE DUPLICATED