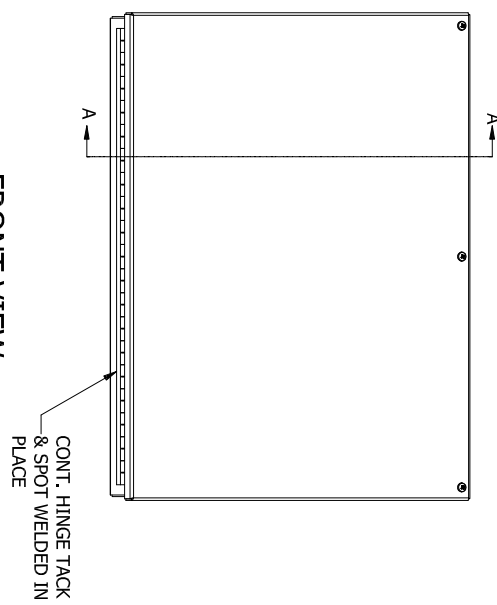
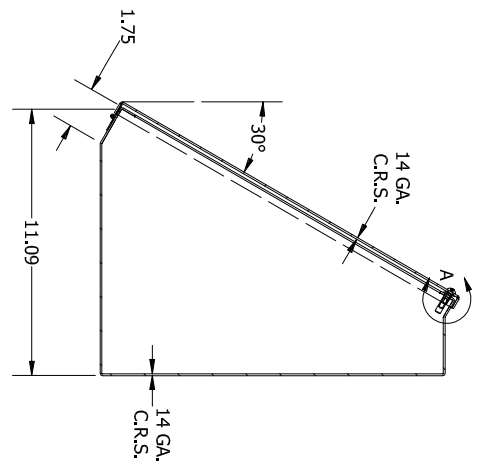


**LEFT SIDE VIEW**

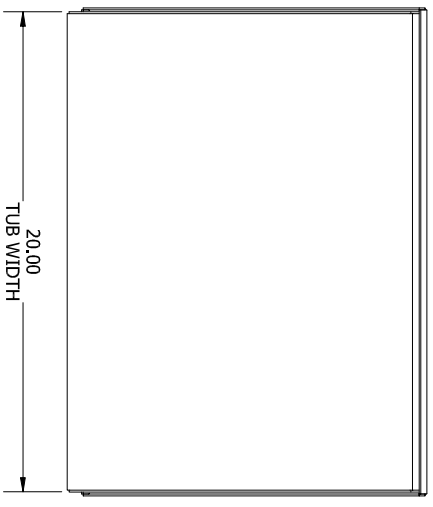


**FRONT VIEW**

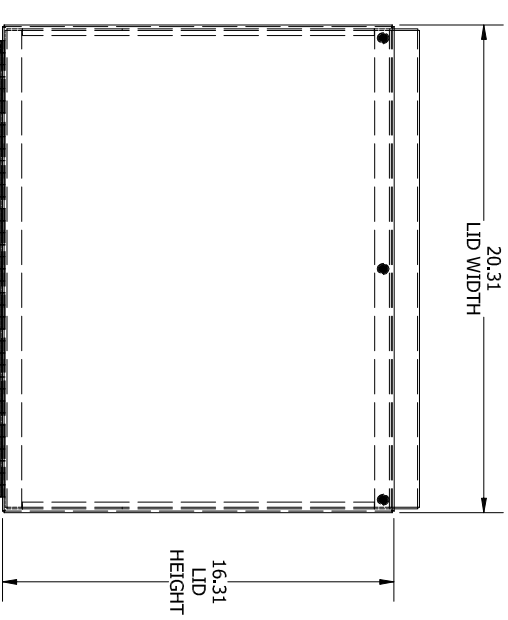
**REAR VIEW**



**SECTION A-A VIEW  
(INSIDE LEFT OF ENCL.)**



**BOTTOM VIEW**



**SECTION B-B  
(STRAIGHT AHEAD VIEW OF LID)**

PART#: WC16C20  
 (DATA SUBJECT TO CHANGE WITHOUT NOTICE)

THIS DRAWING IS PROPERTY OF HUBBELL INC. WIEGMANN  
 ALL INFORMATION IS PROPRIETARY AND NOT TO BE DUPLICATED