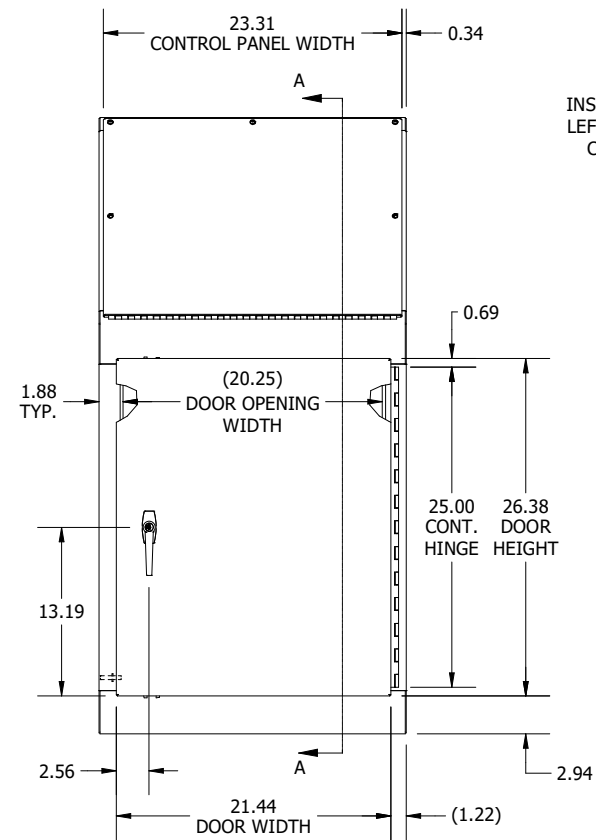
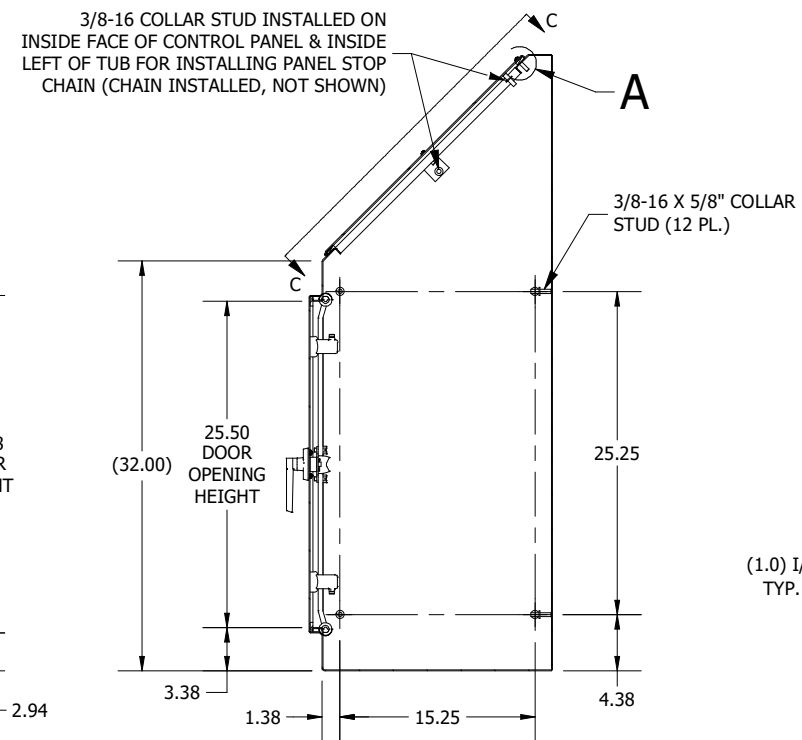


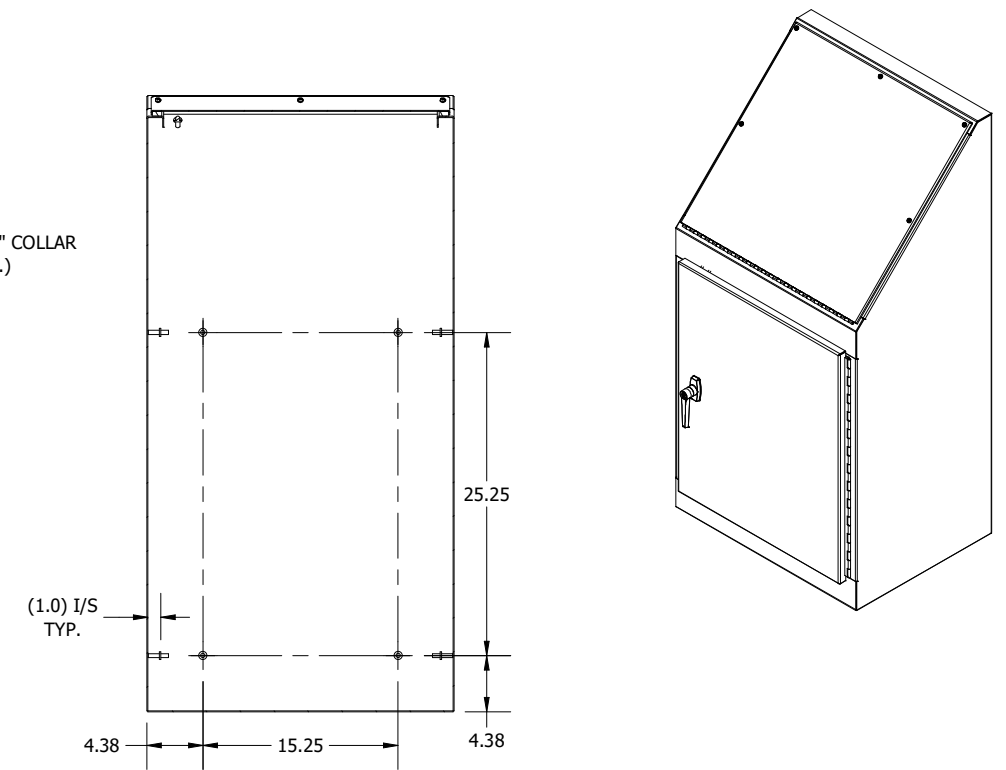
**LEFT SIDE VIEW**



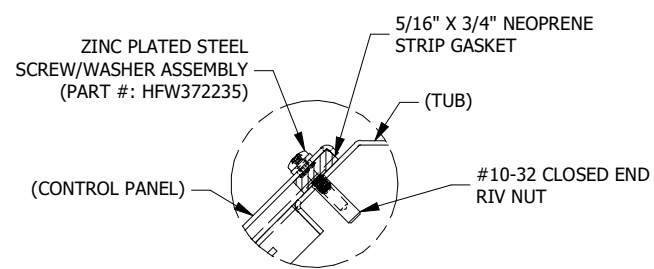
**FRONT VIEW**



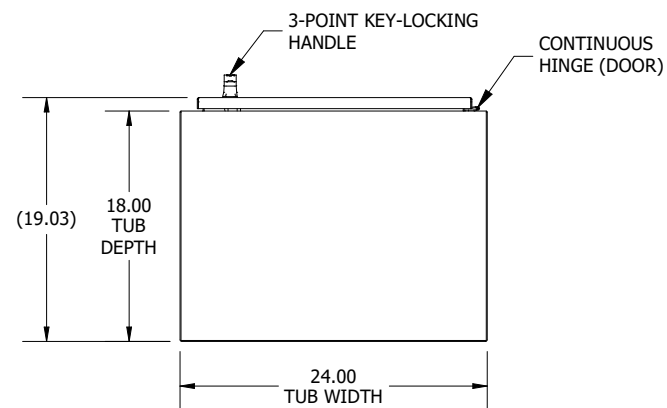
**SECTION A-A  
(INSIDE LEFT OF ENCL.)**



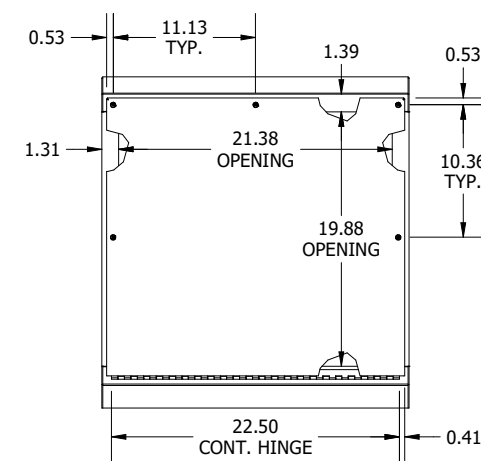
**SECTION B-B  
(INSIDE BACK OF ENCL.)**



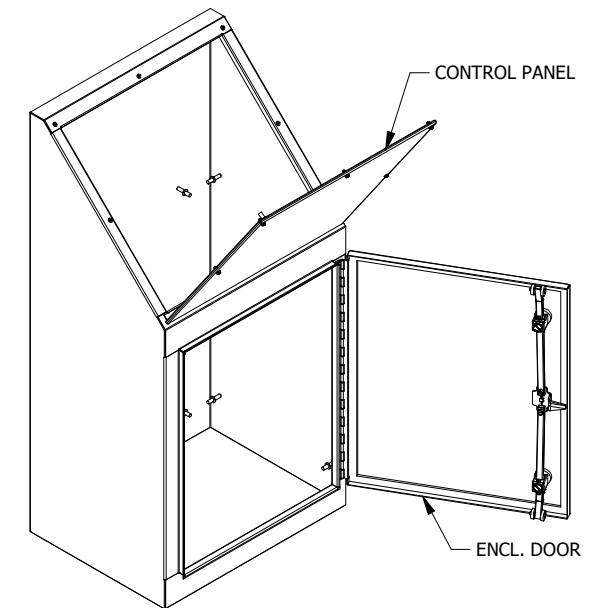
**DETAIL A (5 PL.)  
(CONTROL PNL. INSTALL DETAIL)**



**BOTTOM VIEW**



**VIEW C-C  
(STRAIGHT ON VIEW OF CONTROL PANEL)**



**PART #:WC924B**  
 (DATA SUBJECT TO CHANGE WITHOUT NOTICE)  
 THIS DRAWING IS THE PROPERTY OF HUBBELL INC. WIEGMANN  
 ALL INFORMATION IS PROPRIETARY AND NOT TO BE DUPLICATED