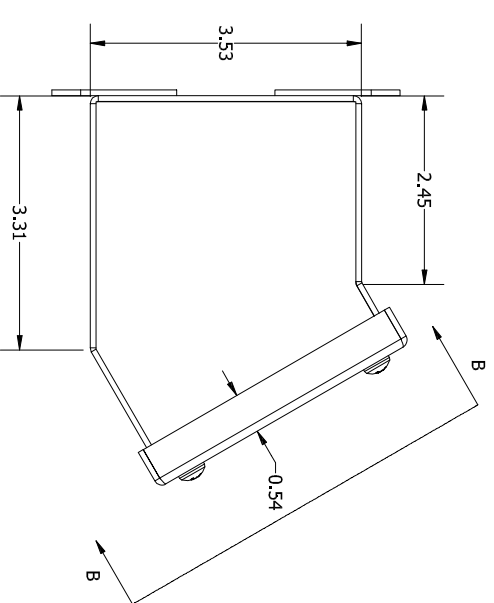
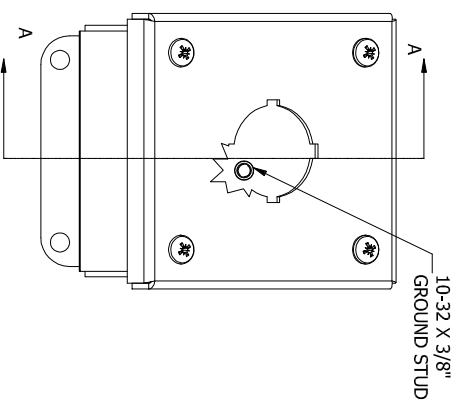


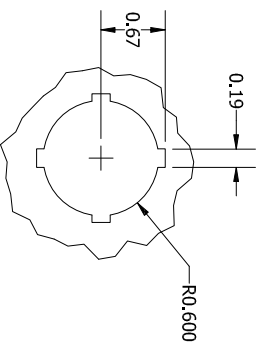
**VIEW B-B**  
(LID ASSM. REMOVED)



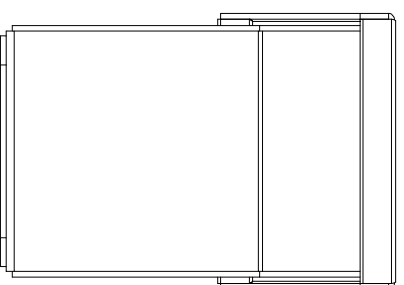
**LEFT SIDE VIEW**



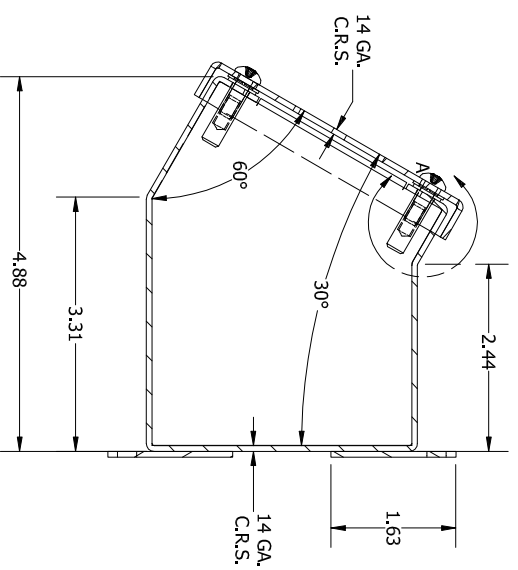
**FRONT VIEW**



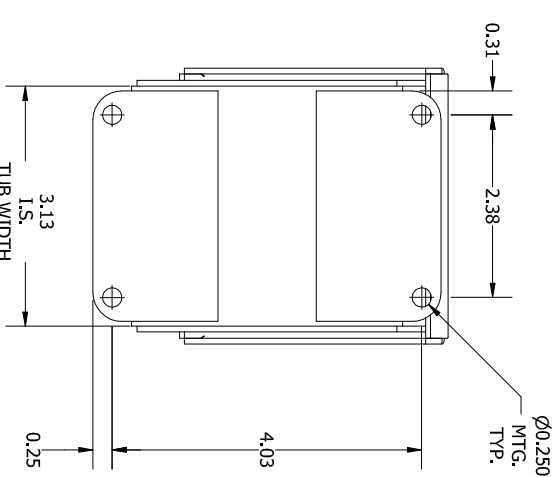
**DETAIL AU**  
(TYP. PUSH BUTTON)



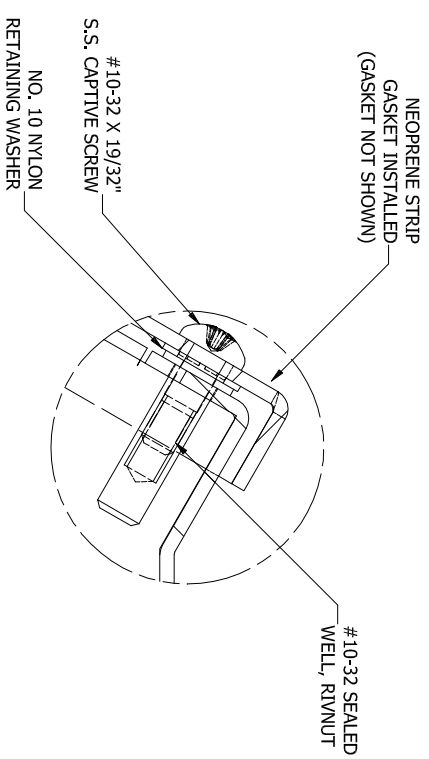
**REAR VIEW**



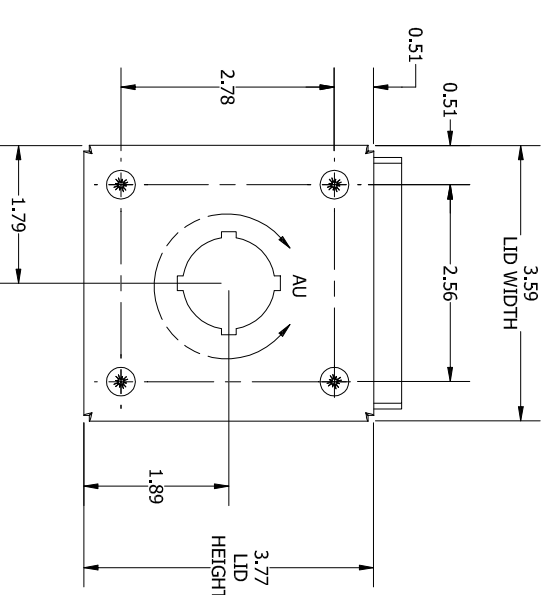
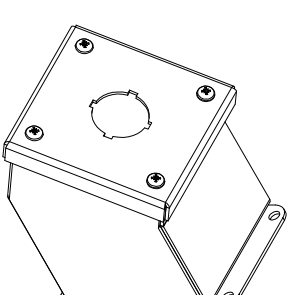
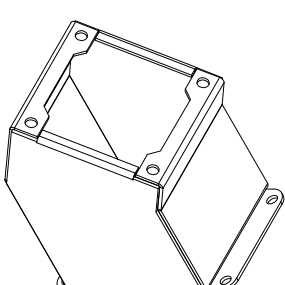
**SECTION A-A**  
(INSIDE LEFT OF ENCL.)



**BACK VIEW**



**DETAIL A (4 PL.)**  
(LID ATTACHMENT DETAIL)



**SECTION B-B**  
(STRAIGHT AHEAD VIEW OF LID)

PART#: WPBA1  
(DATA SUBJECT TO CHANGE WITHOUT NOTICE)

THIS DRAWING IS PROPERTY OF HUBBELL INC. WIEGMANN  
ALL INFORMATION IS PROPRIETARY AND NOT TO BE DUPLICATED