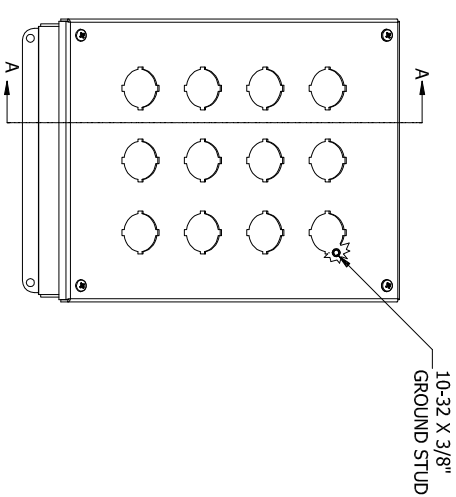
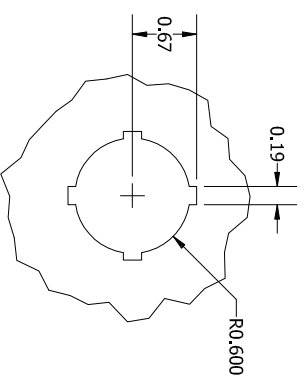


VIEW B-B
(LID ASSM. REMOVED)

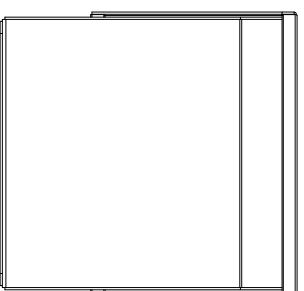


LEFT SIDE VIEW

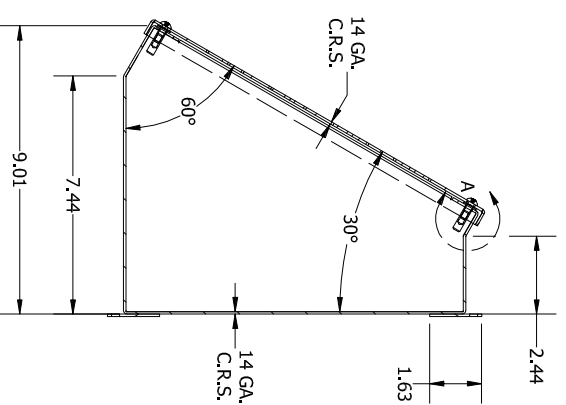


DETAIL AU
(TYP. PUSH BUTTON)

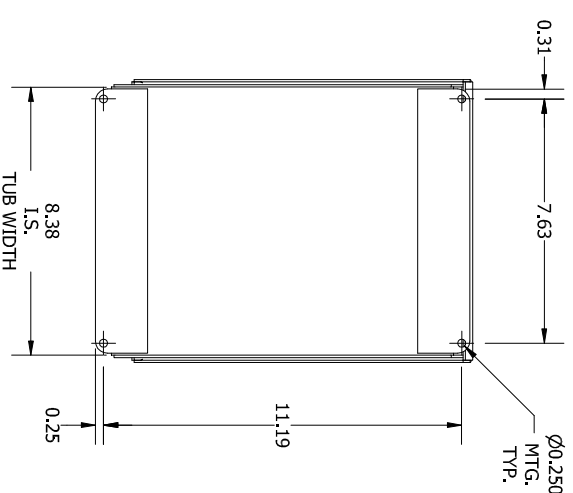
FRONT VIEW



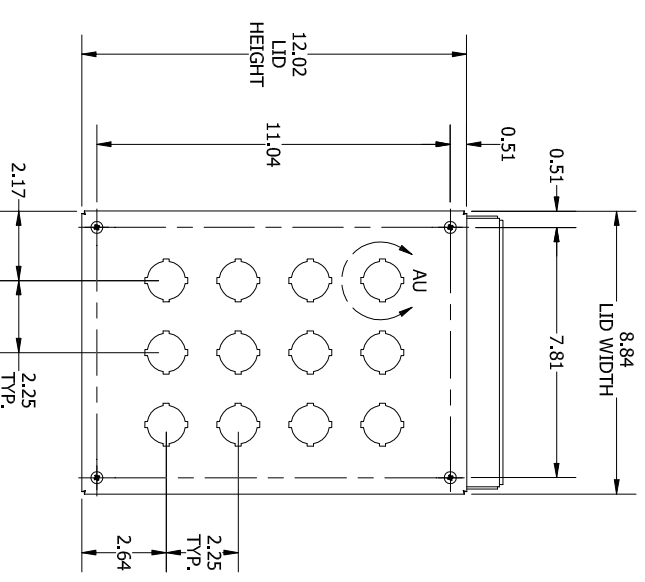
REAR VIEW



SECTION A-A
(INSIDE LEFT OF ENCL.)



BACK VIEW



SECTION B-B
(STRAIGHT AHEAD VIEW OF LID)

PART#: WPBA12S
(DATA SUBJECT TO CHANGE WITHOUT NOTICE)

THIS DRAWING IS PROPERTY OF HUBBELL INC. WIEGMANN
ALL INFORMATION IS PROPRIETARY AND NOT TO BE DUPLICATED