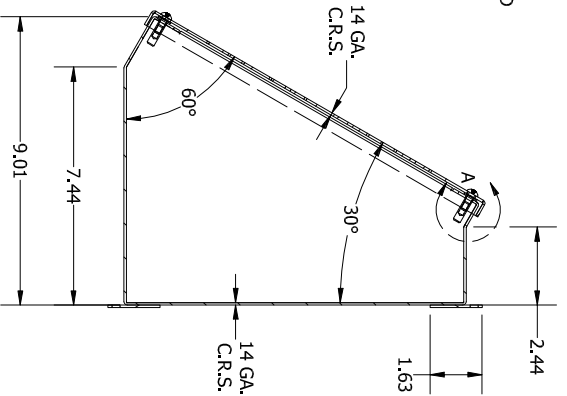
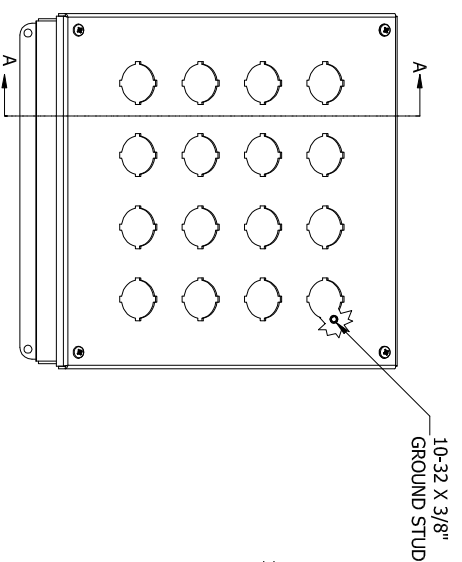
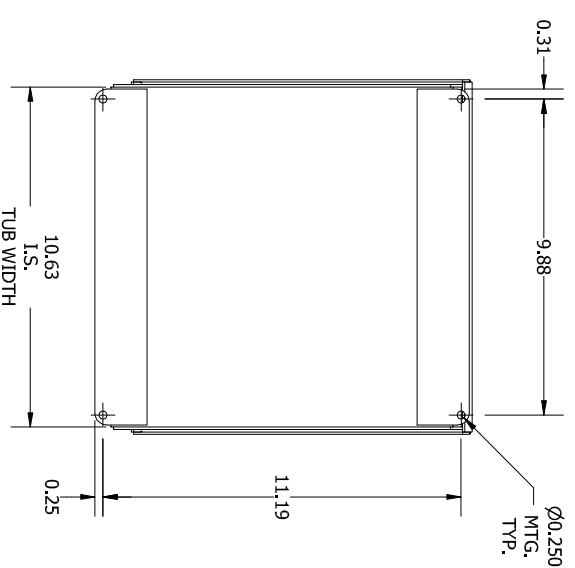


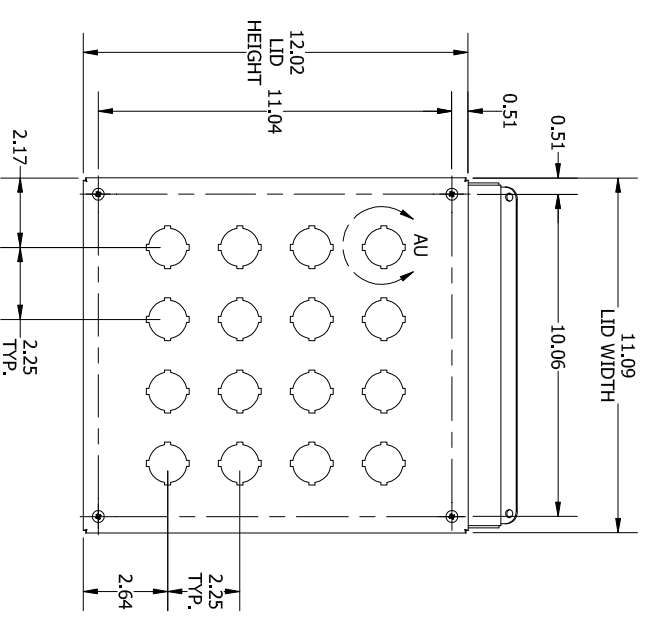
**VIEW B-B
(LID ASSM. REMOVED)**



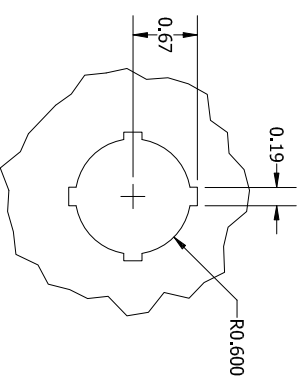
**SECTION A-A
(INSIDE LEFT OF ENCL.)**



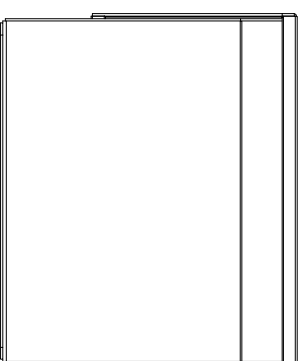
BACK VIEW



**SECTION B-B
(STRAIGHT AHEAD VIEW OF LID)**



LEFT SIDE VIEW



FRONT VIEW

REAR VIEW

**DETAIL AU
(TYP. PUSH BUTTON)**

PART#: WPBA16S
(DATA SUBJECT TO CHANGE WITHOUT NOTICE)

THIS DRAWING IS PROPERTY OF HUBBELL INC. WIEGMANN
ALL INFORMATION IS PROPRIETARY AND NOT TO BE DUPLICATED