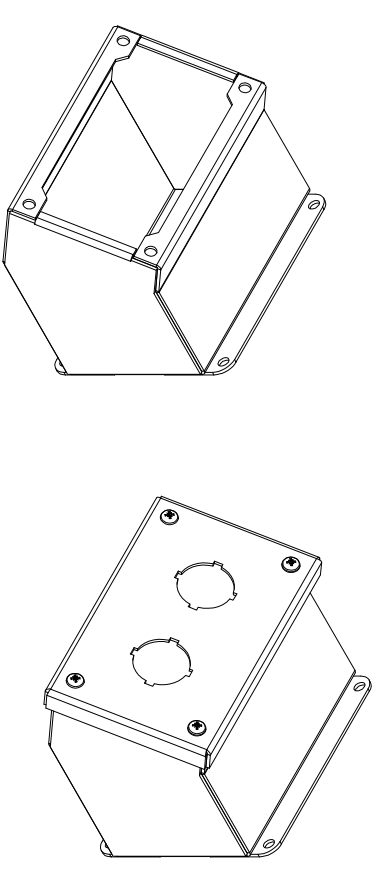
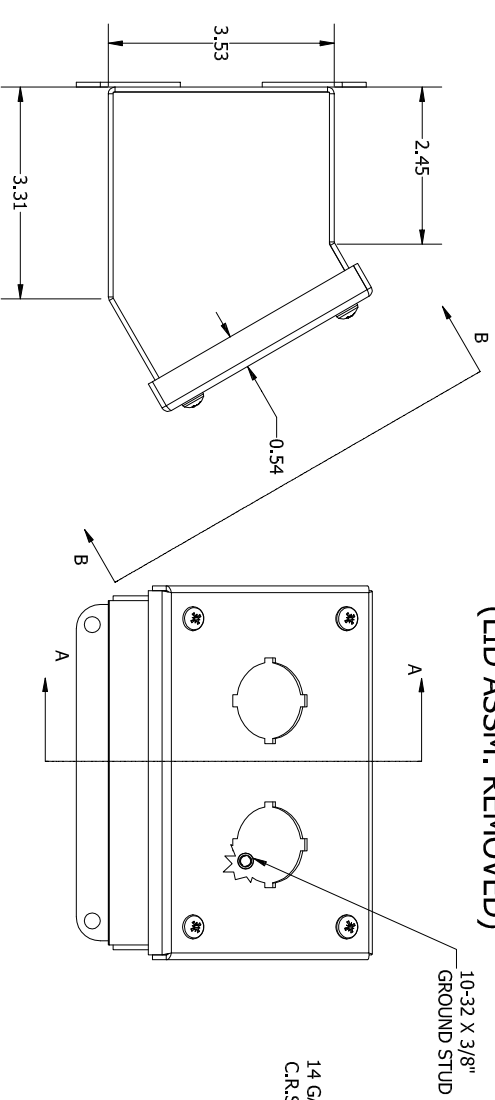


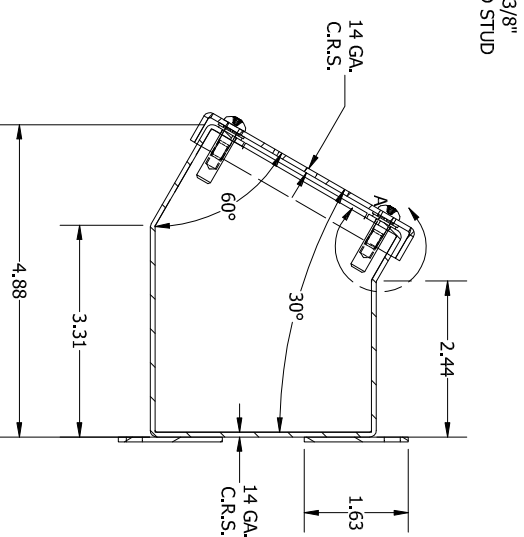
**DETAIL A (4 PL.)**  
(LID ATTACHMENT DETAIL)



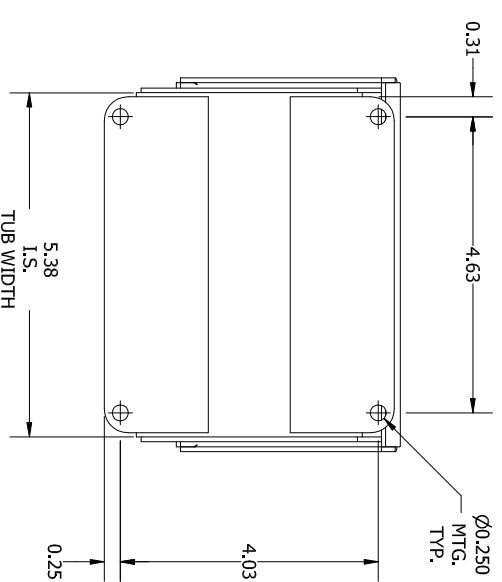
**VIEW B-B**  
(LID ASSM. REMOVED)



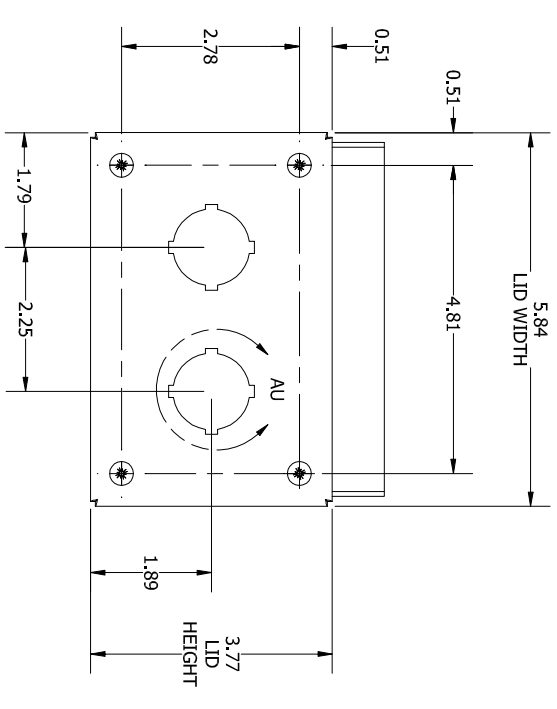
**LEFT SIDE VIEW**



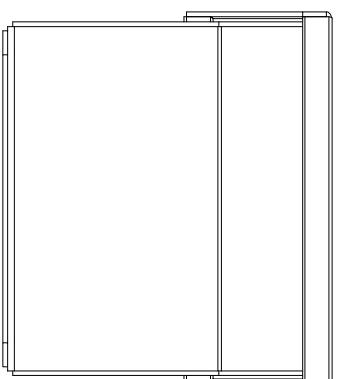
**SECTION A-A**  
(INSIDE LEFT OF ENCL.)



**BACK VIEW**

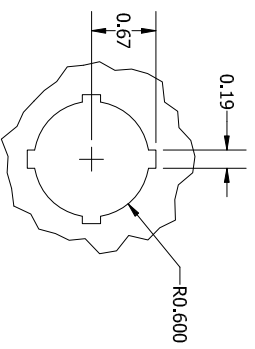


**VIEW B-B**  
(STRAIGHT AHEAD VIEW OF LID)



**FRONT VIEW**

**REAR VIEW**



**DETAIL AU**  
(TYP. PUSH BUTTON)

PART#: WPBA2  
(DATA SUBJECT TO CHANGE WITHOUT NOTICE)

THIS DRAWING IS PROPERTY OF HUBBELL INC. WIEGMANN  
ALL INFORMATION IS PROPRIETARY AND NOT TO BE DUPLICATED