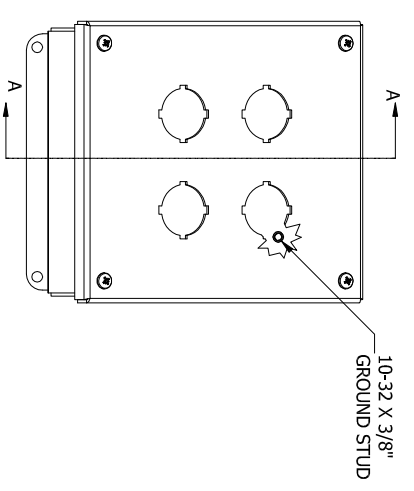
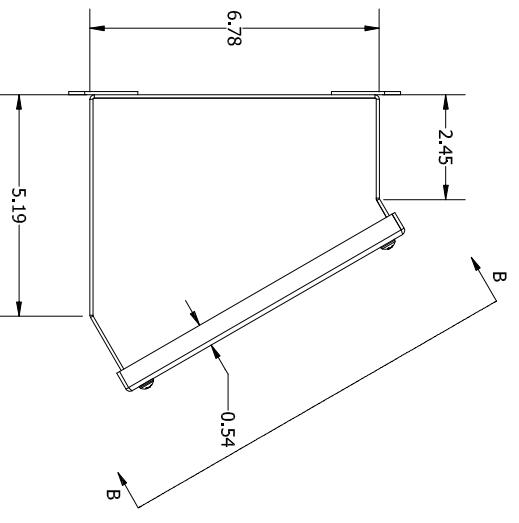
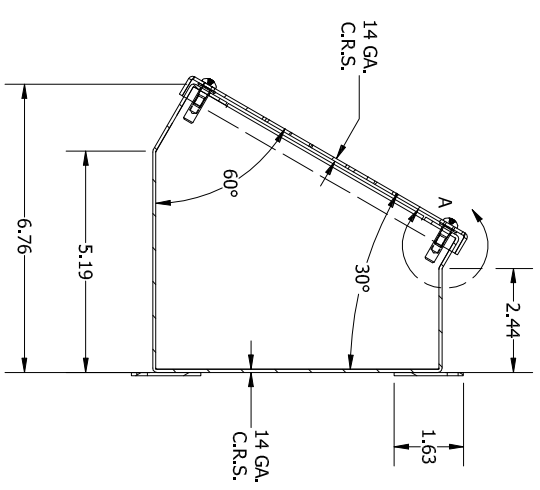


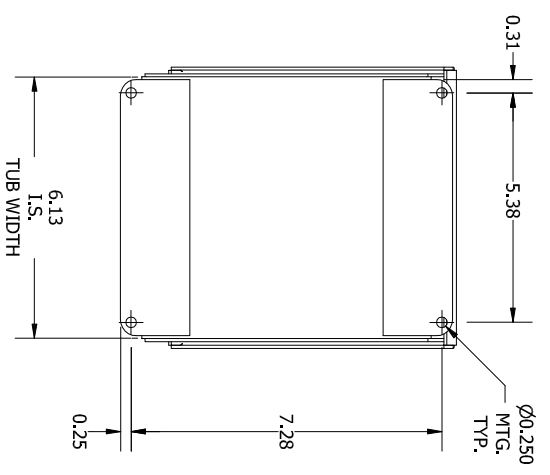
**VIEW B-B  
(LID ASSM. REMOVED)**



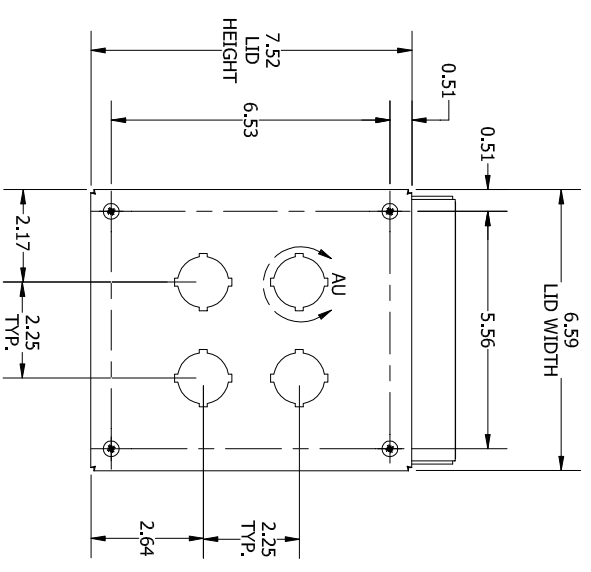
**SECTION A-A  
(INSIDE LEFT OF ENCL.)**



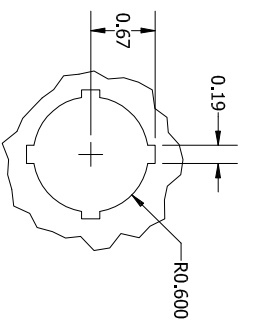
**BACK VIEW**



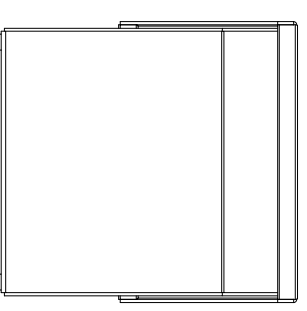
**SECTION B-B  
(STRAIGHT AHEAD VIEW OF LID)**



**LEFT SIDE VIEW**



**FRONT VIEW**



**REAR VIEW**

**DETAIL AU  
(TYP. PUSH BUTTON)**

PART#: WPBA4S  
(DATA SUBJECT TO CHANGE WITHOUT NOTICE)

THIS DRAWING IS PROPERTY OF HUBBELL INC. WIEGMANN  
ALL INFORMATION IS PROPRIETARY AND NOT TO BE DUPLICATED