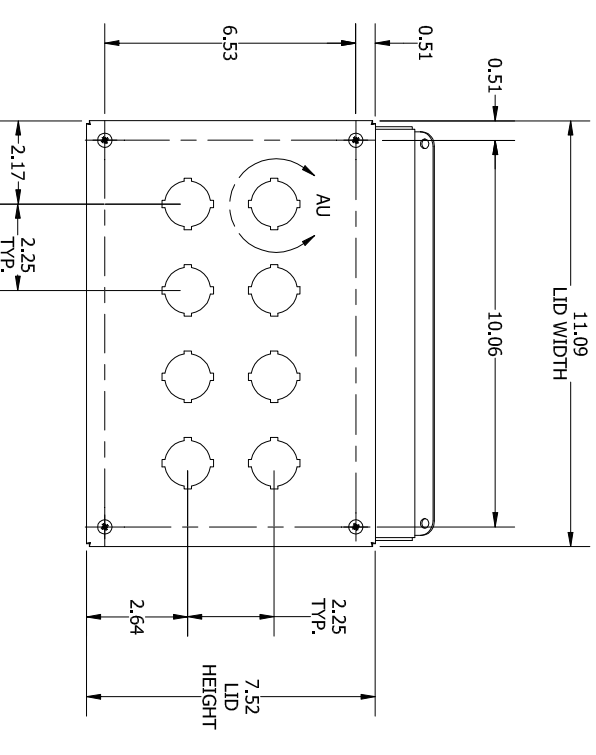
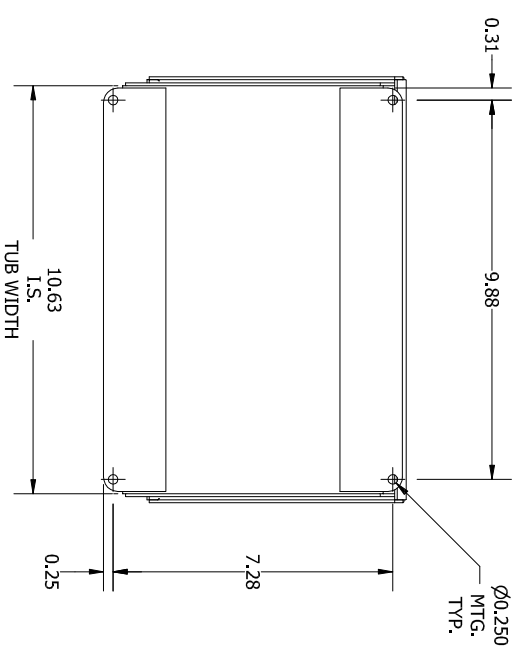
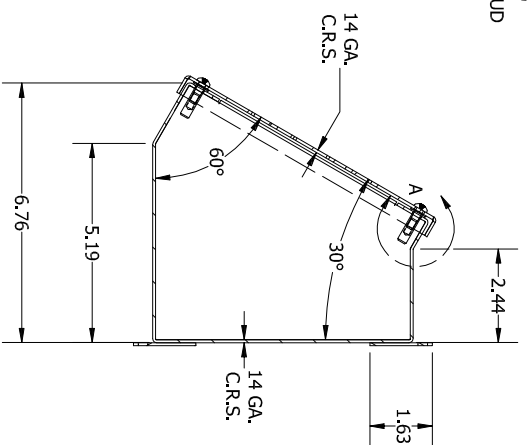
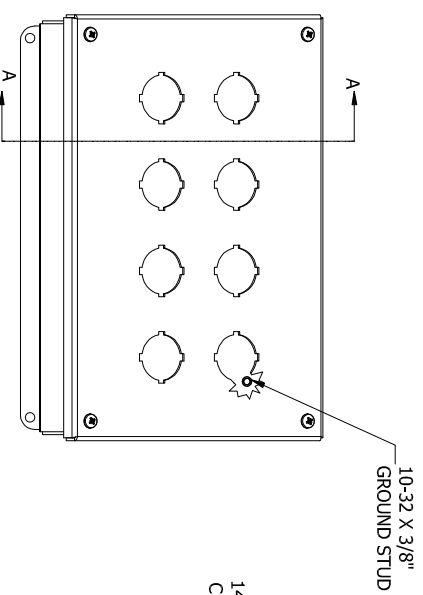
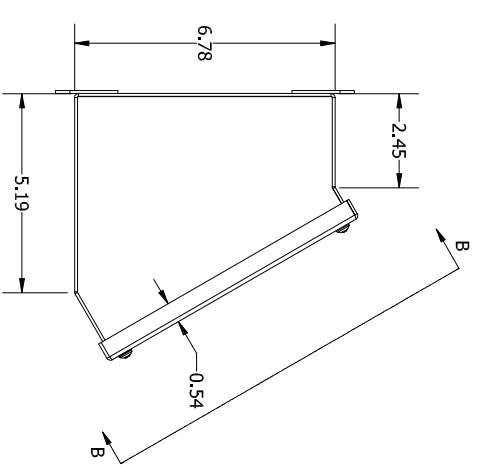
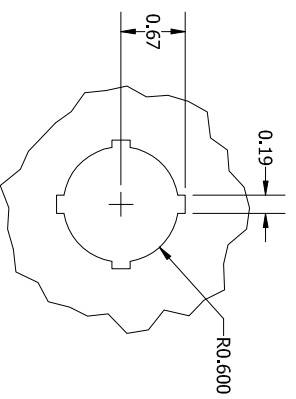


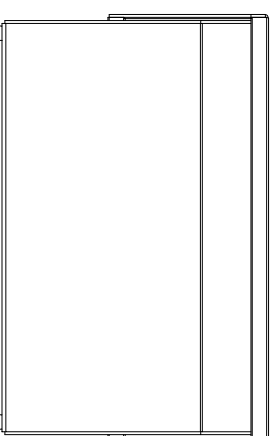
**VIEW B-B
(LID ASSM. REMOVED)**



LEFT SIDE VIEW



FRONT VIEW



REAR VIEW

**DETAIL AU
(TYP. PUSH BUTTON)**

**SECTION B-B
(STRAIGHT AHEAD VIEW OF LID)**

**SECTION A-A
(INSIDE LEFT OF ENCL.)**

BACK VIEW

PART#: WPBA8

(DATA SUBJECT TO CHANGE WITHOUT NOTICE)

THIS DRAWING IS PROPERTY OF HUBBELL INC. WIEGMANN
ALL INFORMATION IS PROPRIETARY AND NOT TO BE DUPLICATED