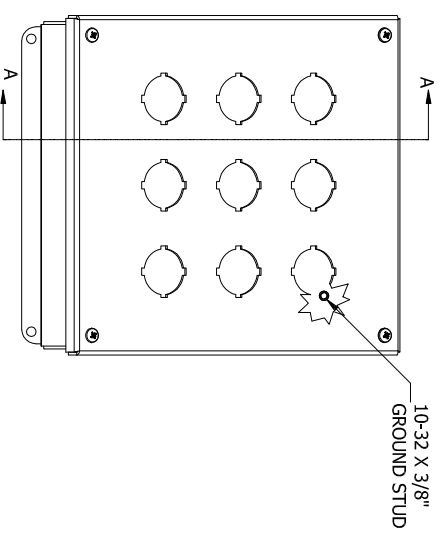
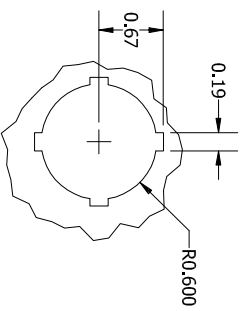


**VIEW B-B
(LID ASSM. REMOVED)**

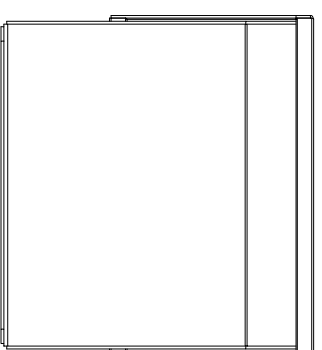


LEFT SIDE VIEW

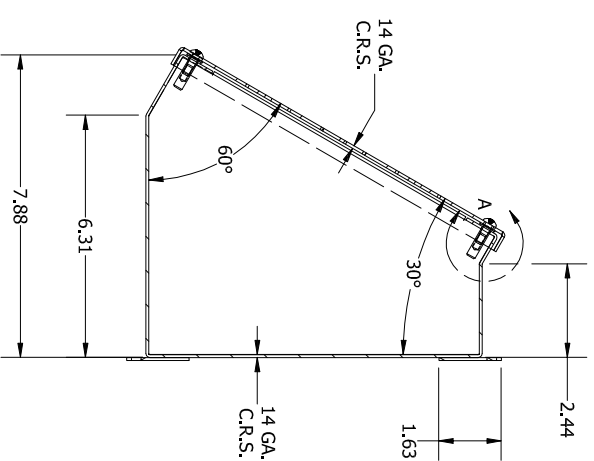


**DETAIL AU
(TYP. PUSH BUTTON)**

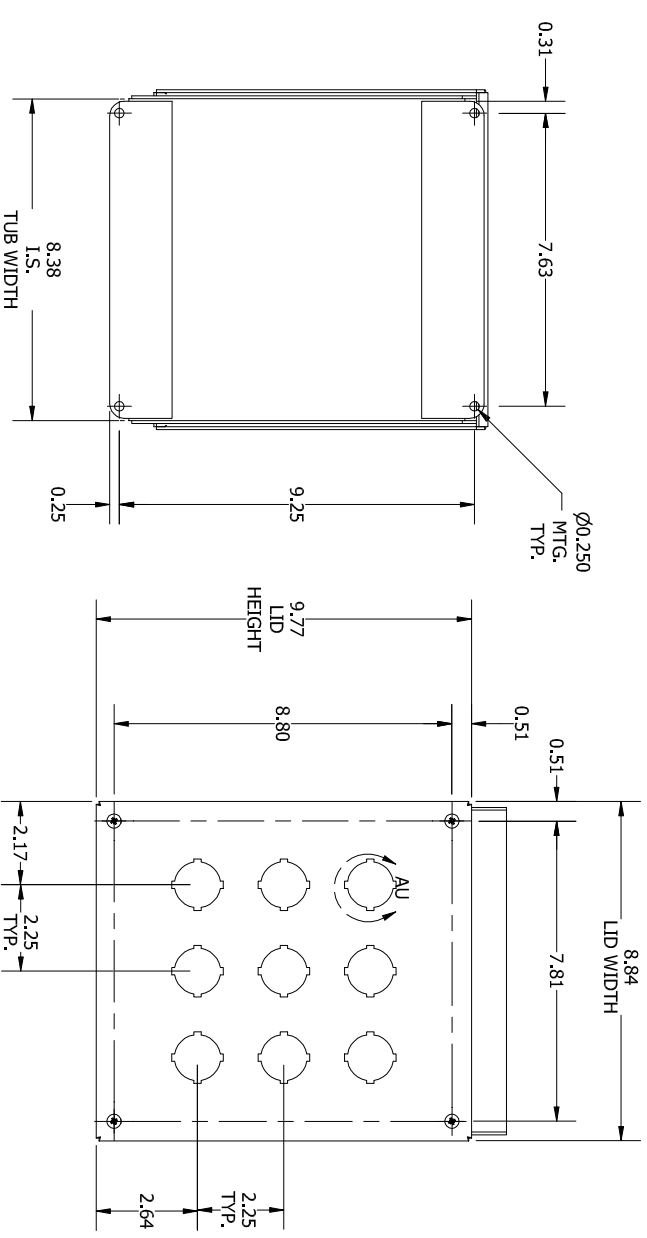
FRONT VIEW



REAR VIEW

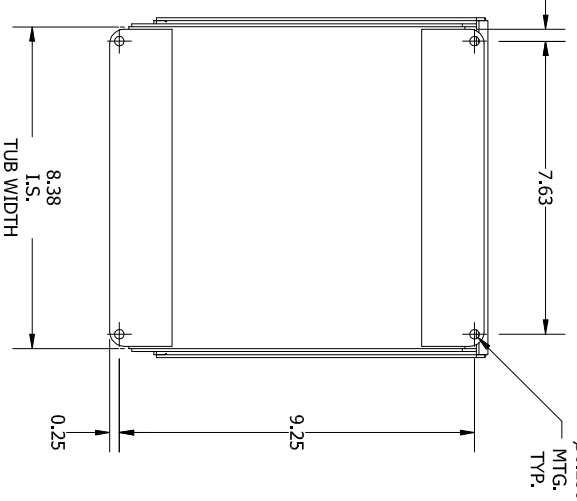


**SECTION A-A
(INSIDE LEFT OF ENCL.)**



**SECTION B-B
(STRAIGHT AHEAD VIEW OF LID)**

BACK VIEW



PART#: WPBA9
(DATA SUBJECT TO CHANGE WITHOUT NOTICE)

THIS DRAWING IS PROPERTY OF HUBBELL INC. WIEGMANN
ALL INFORMATION IS PROPRIETARY AND NOT TO BE DUPLICATED