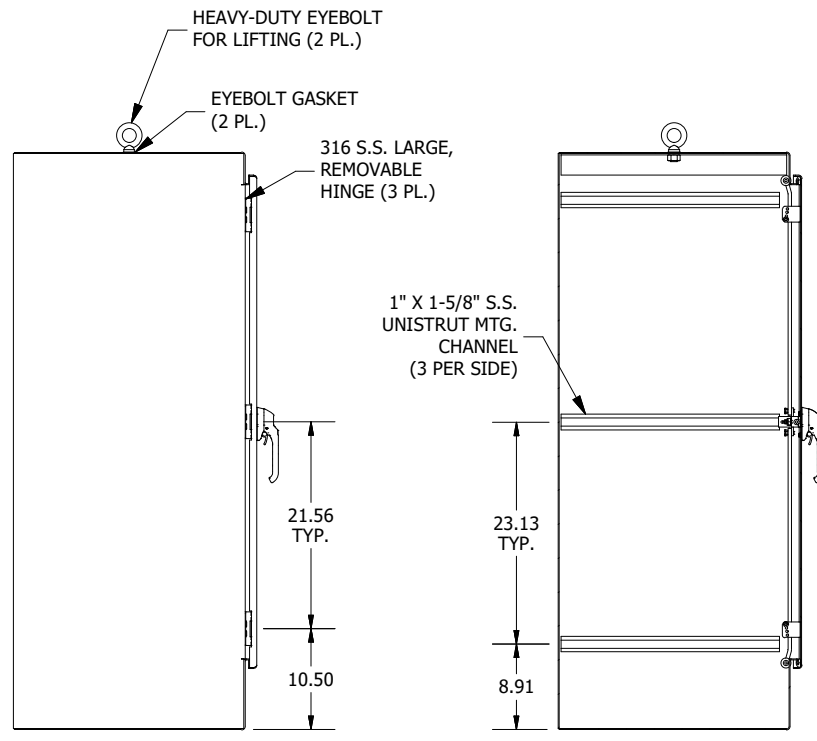
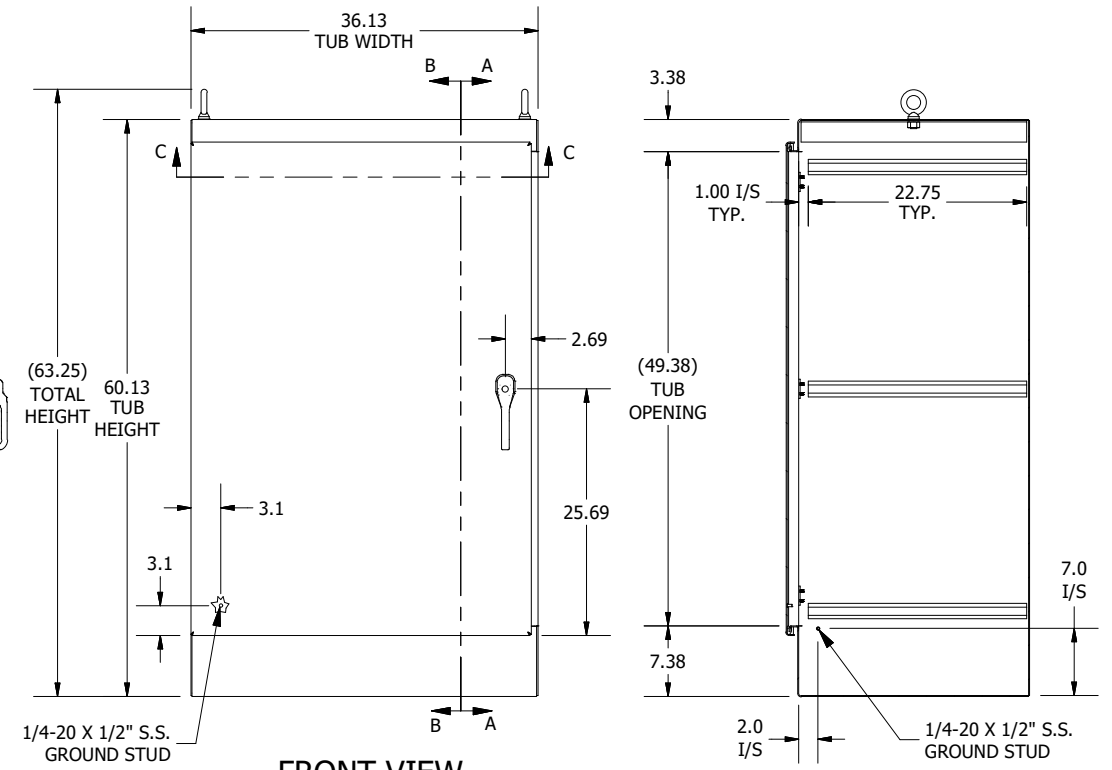


TOP VIEW



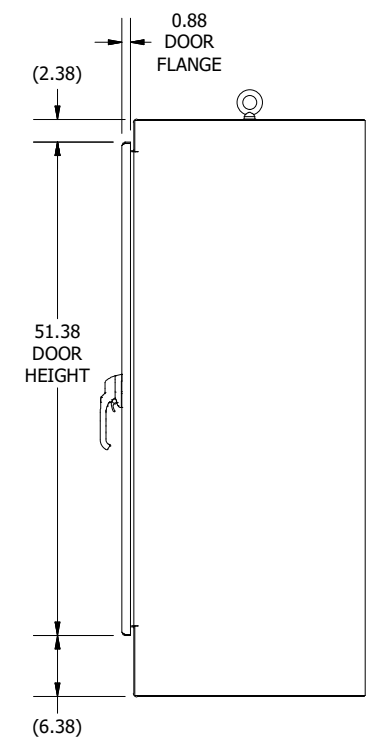
LEFT SIDE VIEW

**SECTION A-A
(INSIDE RIGHT OF ENCL.)**

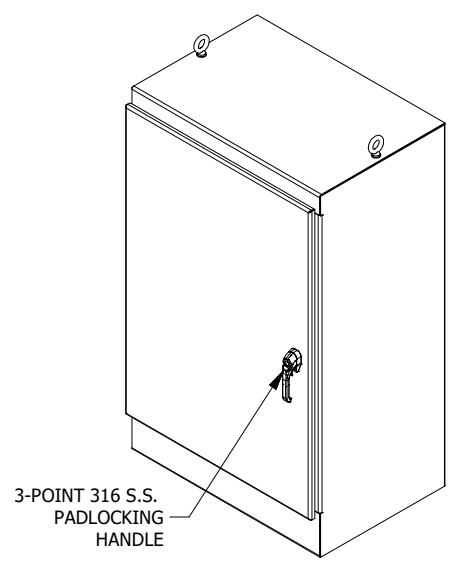
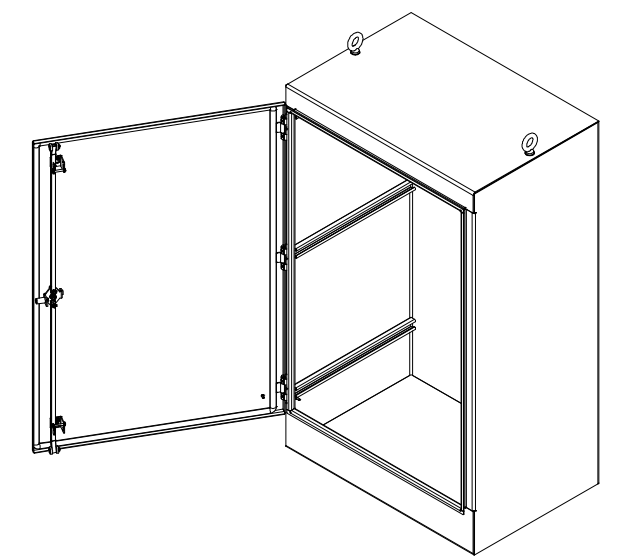


FRONT VIEW

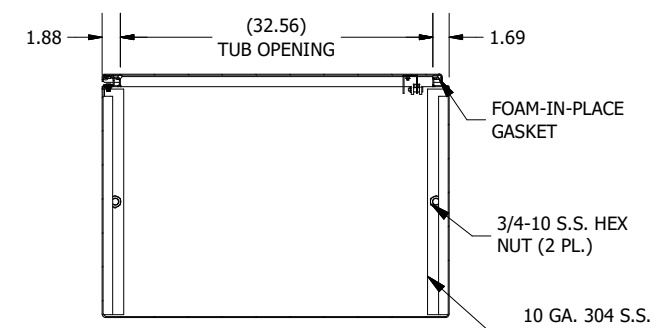
**SECTION B-B
(INSIDE LEFT OF ENCL.)**



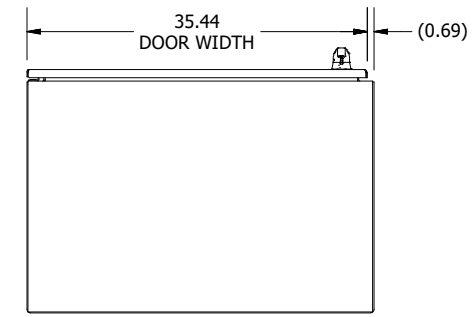
RIGHT SIDE VIEW



3-POINT 316 S.S. PADLOCKING HANDLE



**SECTION C-C
(INSIDE TOP OF ENCL.)**



BOTTOM VIEW

**PART #:WRD603624SSFSN4
(DATA SUBJECT TO CHANGE WITHOUT NOTICE)
THIS DRAWING IS THE PROPERTY OF HUBBELL INC. WIEGMANN
ALL INFORMATION IS PROPRIETARY AND NOT TO BE DUPLICATED**