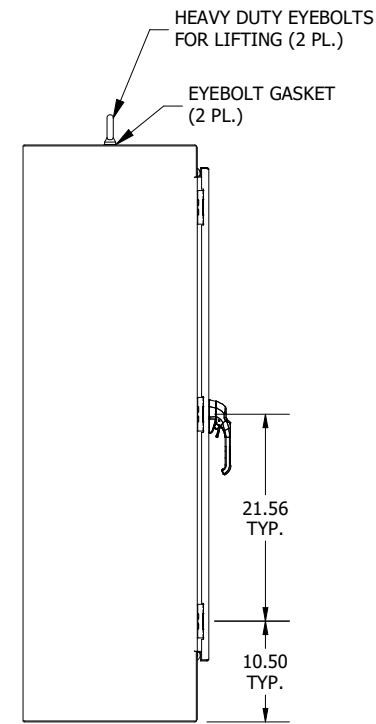
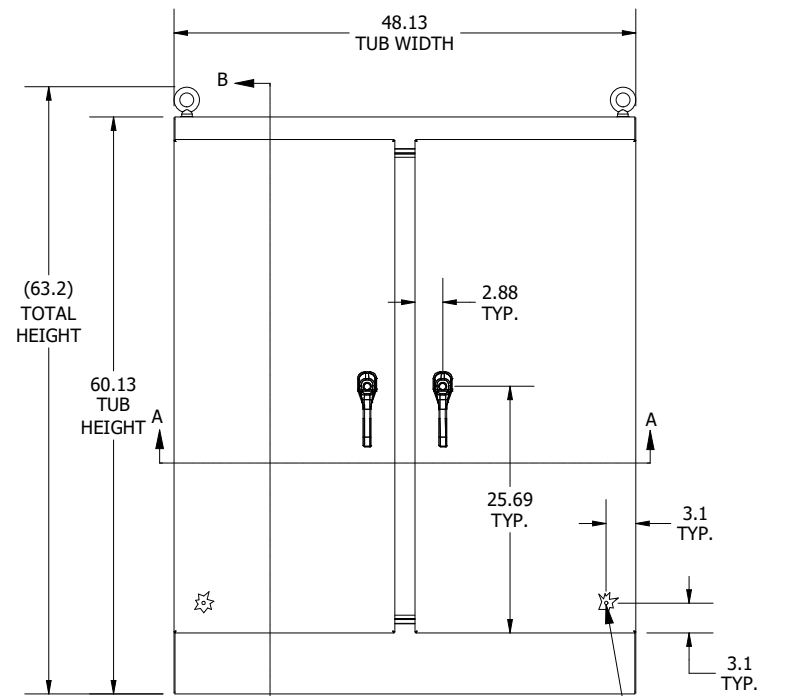


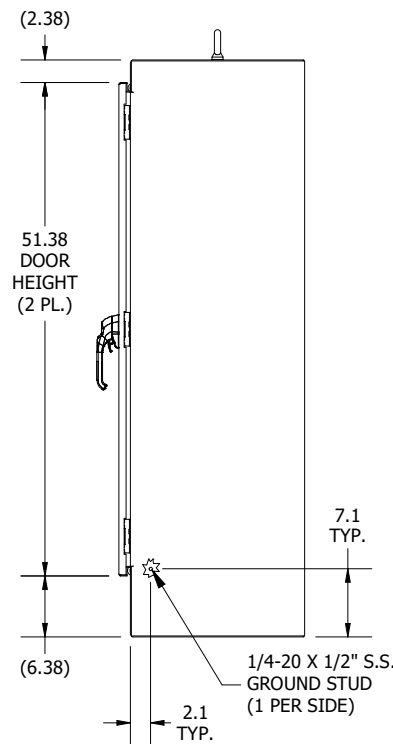
**TOP VIEW**



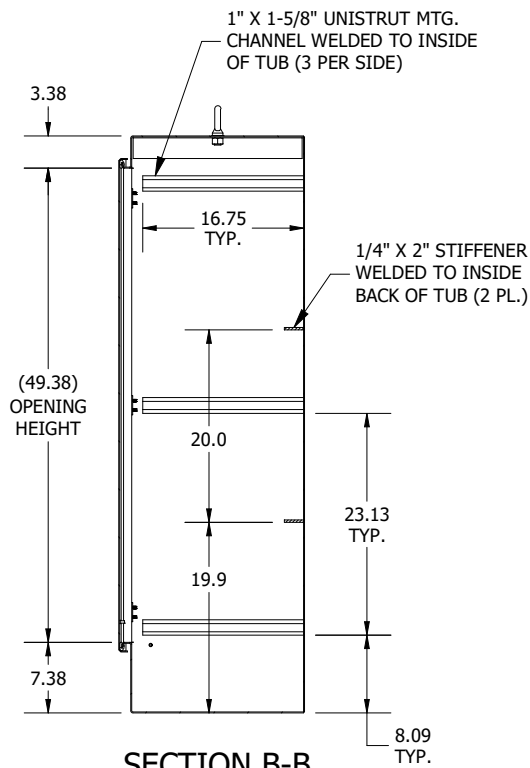
**LEFT SIDE VIEW**



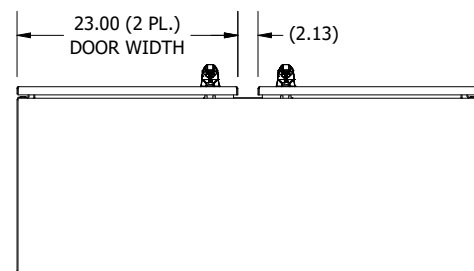
**FRONT VIEW**



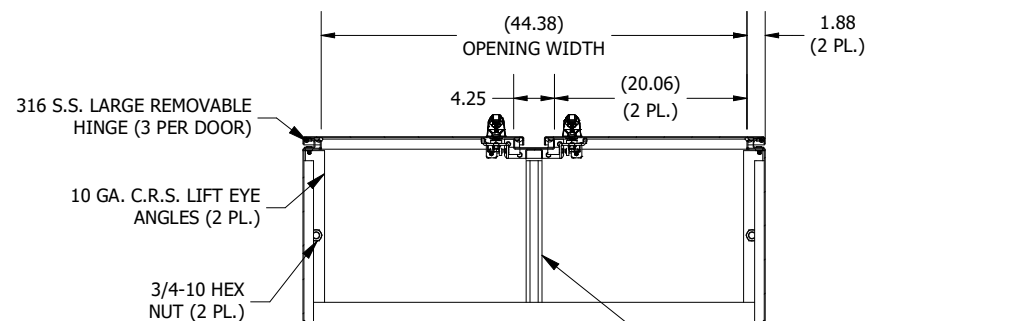
**RIGHT SIDE VIEW**



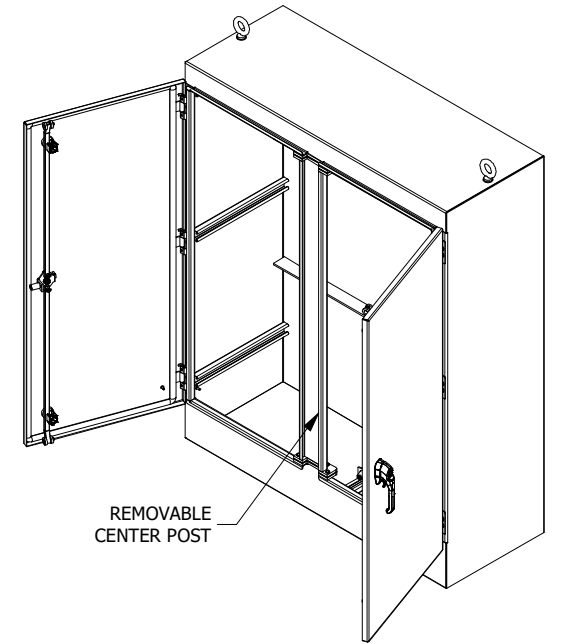
**SECTION B-B  
(INSIDE LEFT OF ENCL.)**



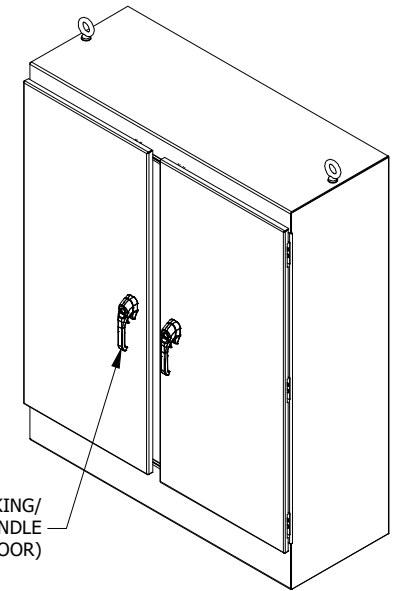
**BOTTOM VIEW**



**SECTION A-A  
(INSIDE TOP OF ENCL.)**



REMOVABLE CENTER POST



3-POINT KEYLOCKING/  
PADLOCKING HANDLE  
(1 PER DOOR)

**PART #:WRD604818FSD4**  
 (DATA SUBJECT TO CHANGE WITHOUT NOTICE)  
 THIS DRAWING IS THE PROPERTY OF HUBBELL INC. WIEGMANN  
 ALL INFORMATION IS PROPRIETARY AND NOT TO BE DUPLICATED