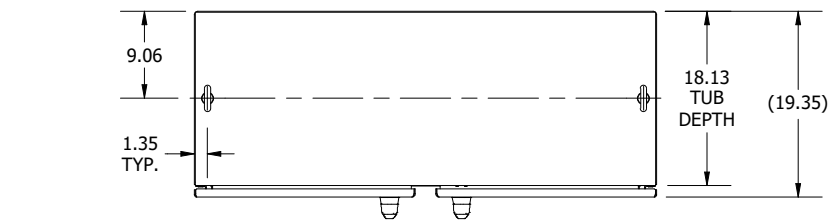
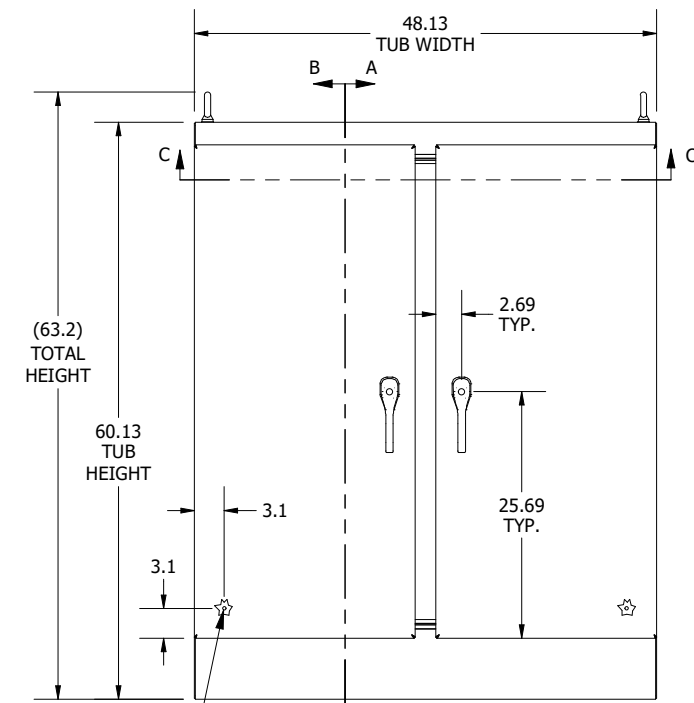


LEFT SIDE VIEW

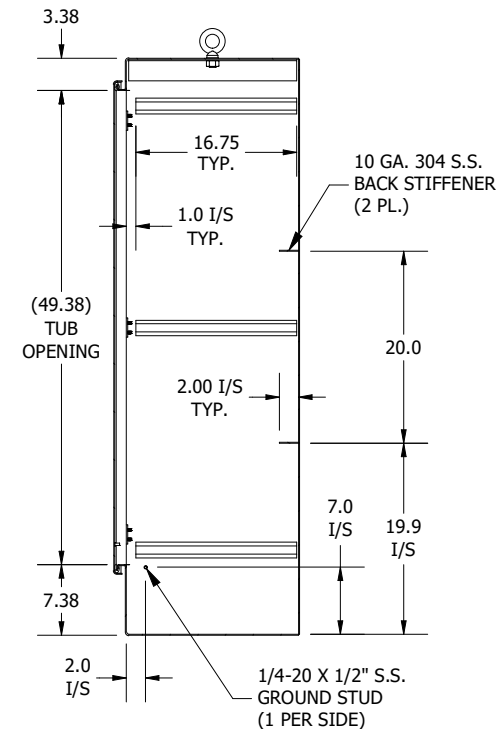
SECTION A-A
(INSIDE RIGHT OF ENCL.)



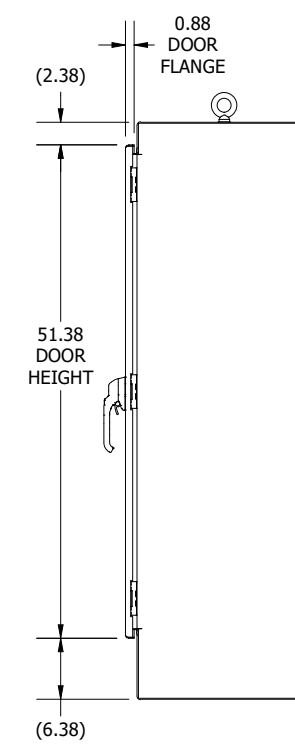
TOP VIEW



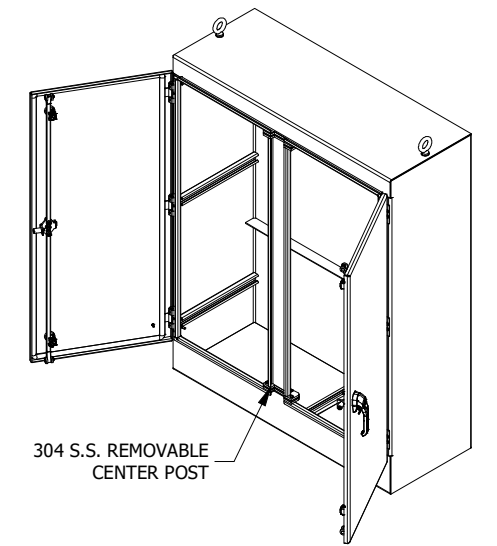
FRONT VIEW



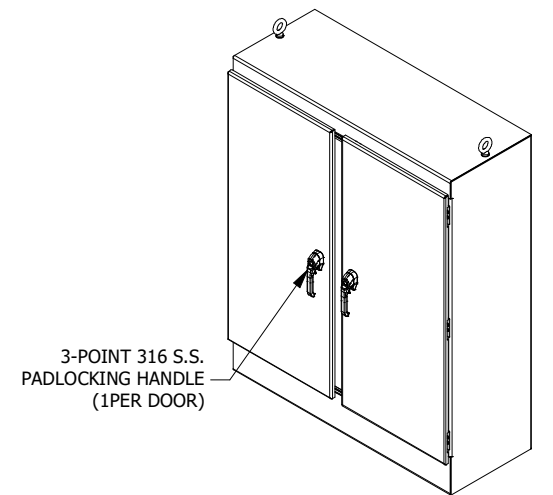
SECTION B-B
(INSIDE LEFT OF ENCL.)



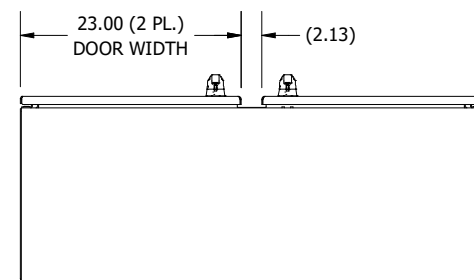
RIGHT SIDE VIEW



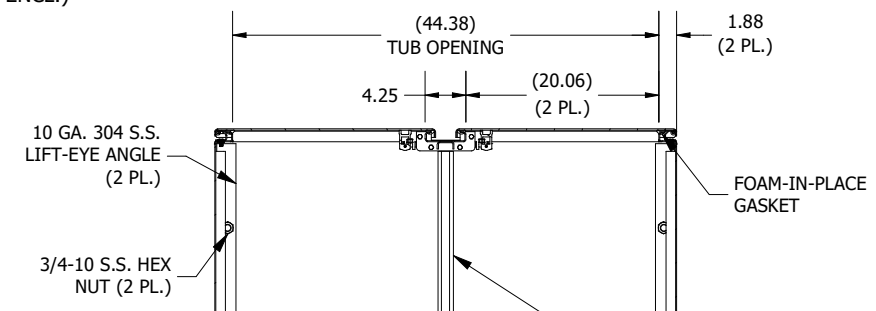
304 S.S. REMOVABLE CENTER POST



3-POINT 316 S.S. PADLOCKING HANDLE (1 PER DOOR)



BOTTOM VIEW



SECTION C-C
(INSIDE TOP OF ENCL.)

1\"/>

PART #:WRD604818SSFSDN4
 (DATA SUBJECT TO CHANGE WITHOUT NOTICE)
 THIS DRAWING IS THE PROPERTY OF HUBBELL INC. WIEGMANN
 ALL INFORMATION IS PROPRIETARY AND NOT TO BE DUPLICATED