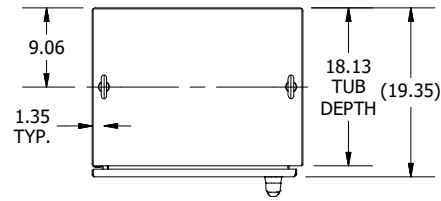
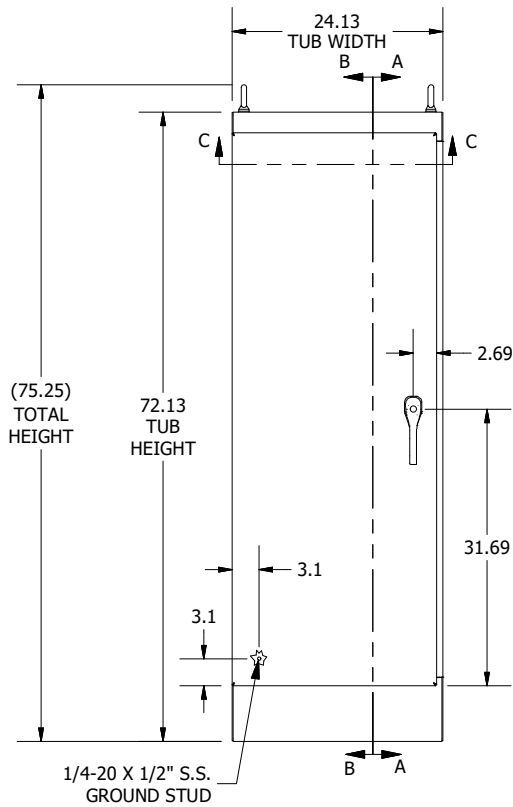


**LEFT SIDE VIEW**

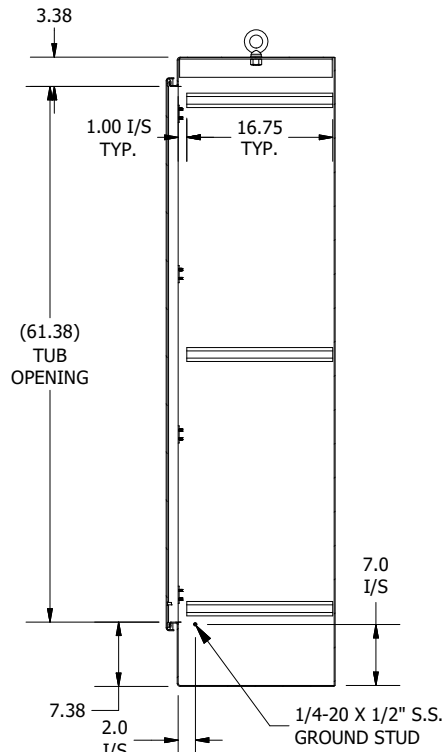
**SECTION A-A**  
(INSIDE RIGHT OF ENCL.)



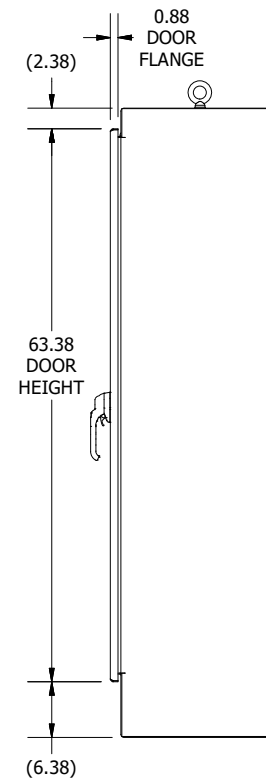
**TOP VIEW**



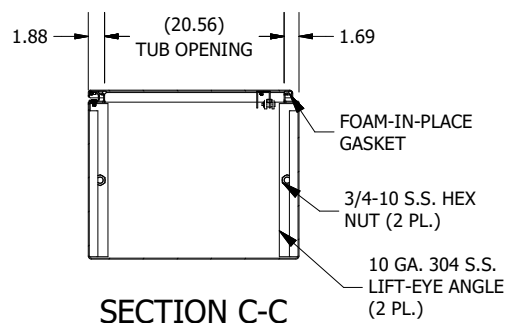
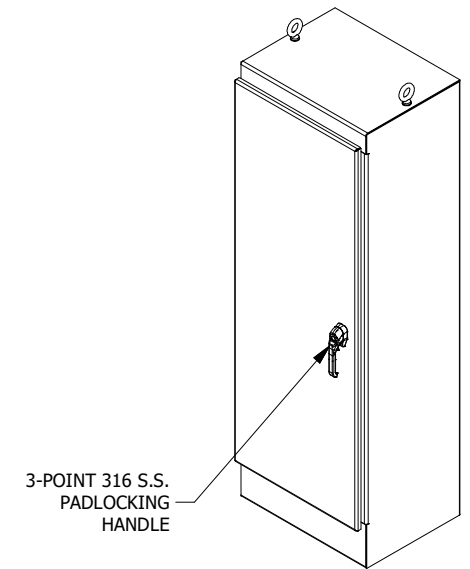
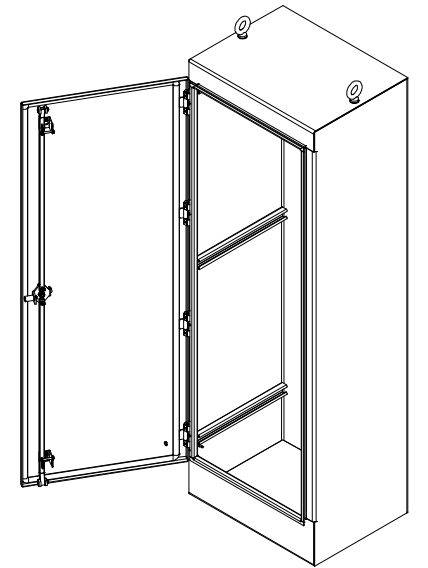
**FRONT VIEW**



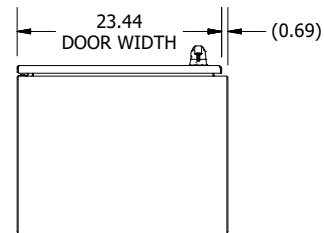
**SECTION B-B**  
(INSIDE LEFT OF ENCL.)



**RIGHT SIDE VIEW**



**SECTION C-C**  
(INSIDE TOP OF ENCL.)



**BOTTOM VIEW**

**PART #:WRD722418SSFSN4**

**(DATA SUBJECT TO CHANGE WITHOUT NOTICE)**

**THIS DRAWING IS THE PROPERTY OF HUBBELL INC. WIEGMANN  
ALL INFORMATION IS PROPRIETARY AND NOT TO BE DUPLICATED**