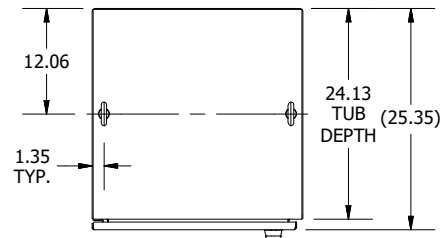
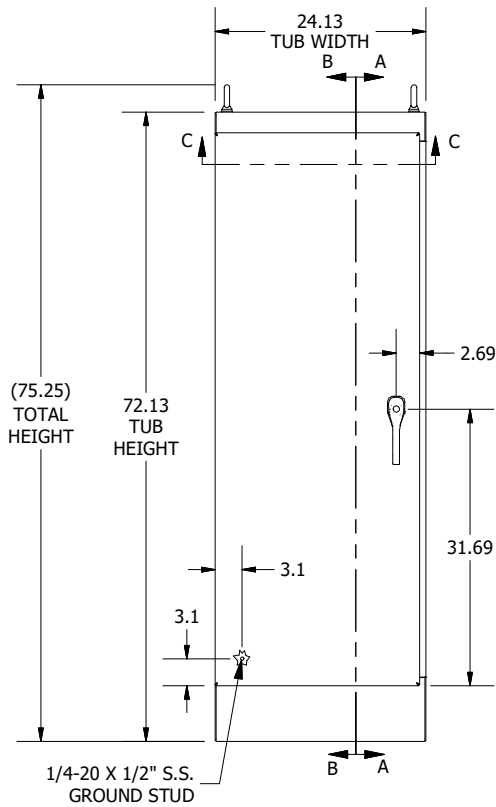


**LEFT SIDE VIEW**

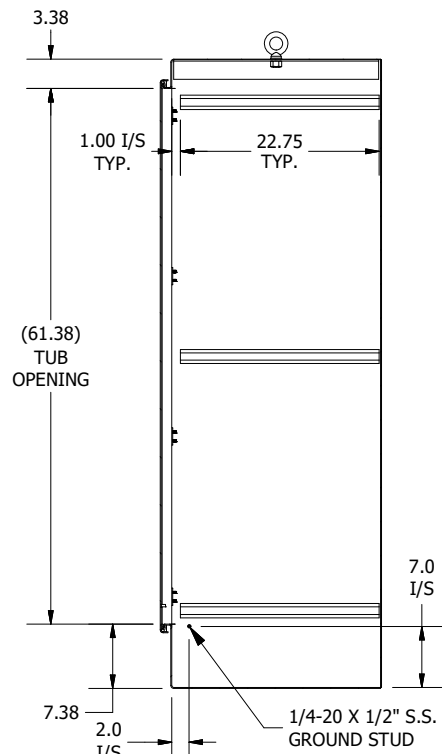
**SECTION A-A**  
(INSIDE RIGHT OF ENCL.)



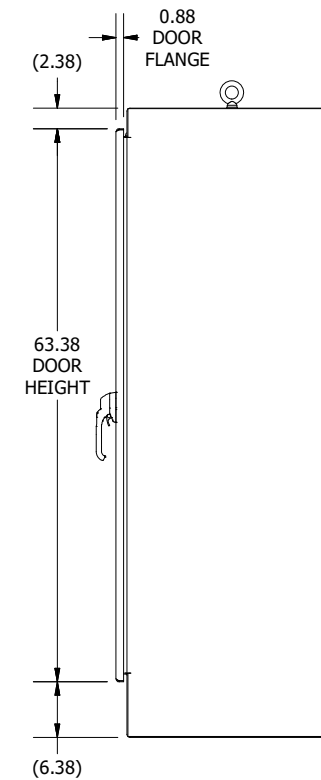
**TOP VIEW**



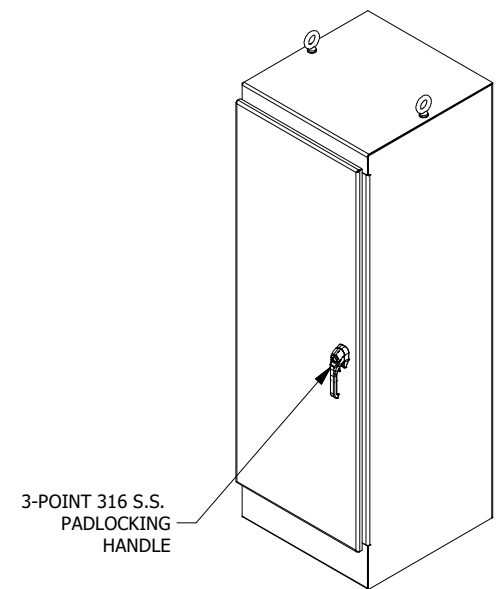
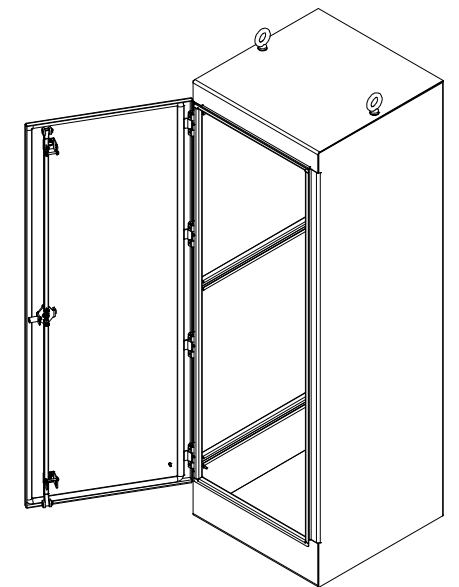
**FRONT VIEW**



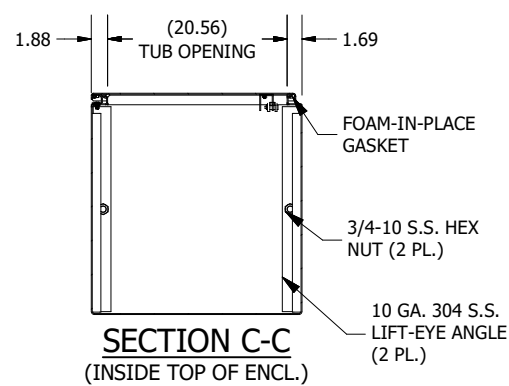
**SECTION B-B**  
(INSIDE LEFT OF ENCL.)



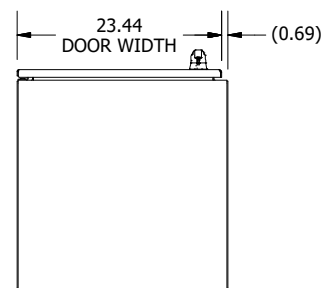
**RIGHT SIDE VIEW**



3-POINT 316 S.S.  
PADLOCKING  
HANDLE



**SECTION C-C**  
(INSIDE TOP OF ENCL.)



**BOTTOM VIEW**

**PART #:WRD722424SSFSN4**

**(DATA SUBJECT TO CHANGE WITHOUT NOTICE)**

**THIS DRAWING IS THE PROPERTY OF HUBBELL INC. WIEGMANN  
ALL INFORMATION IS PROPRIETARY AND NOT TO BE DUPLICATED**