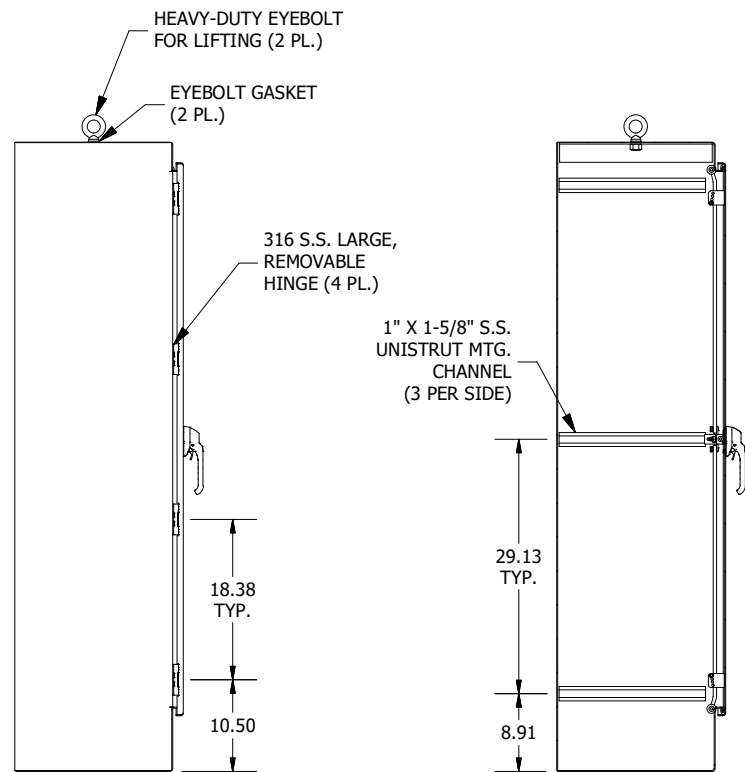
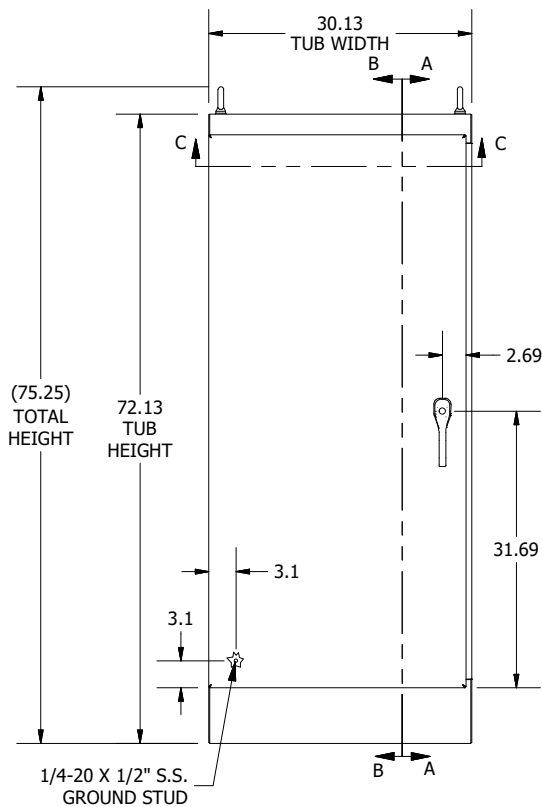


TOP VIEW

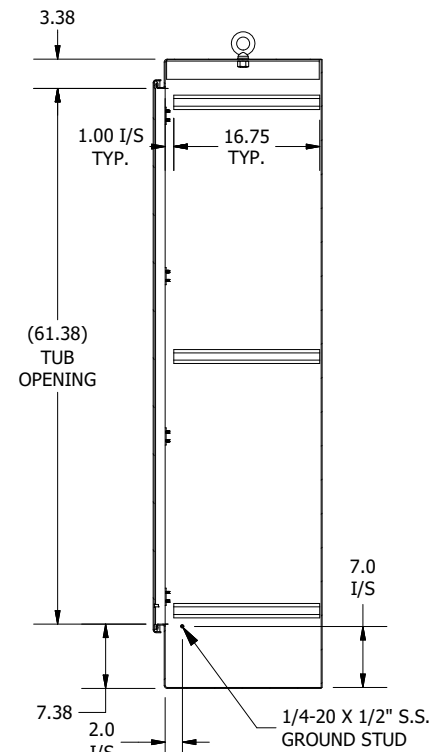


LEFT SIDE VIEW

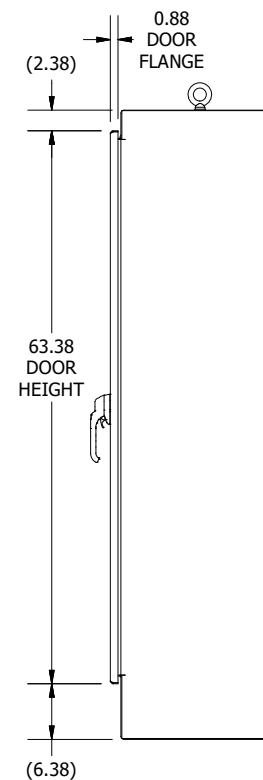
SECTION A-A  
(INSIDE RIGHT OF ENCL.)



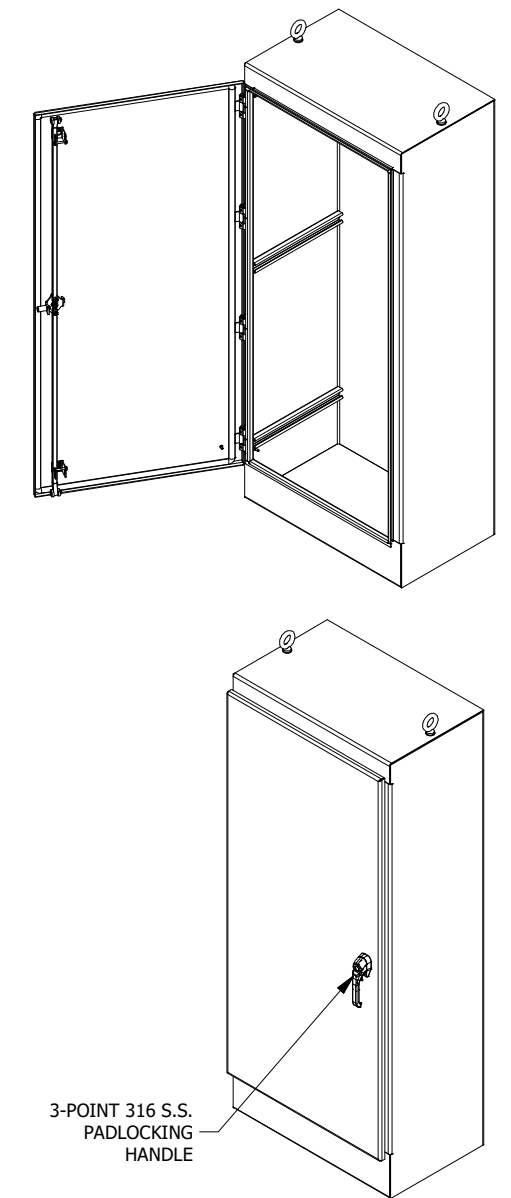
FRONT VIEW



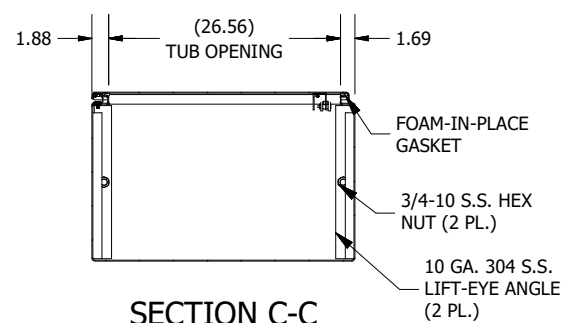
SECTION B-B  
(INSIDE LEFT OF ENCL.)



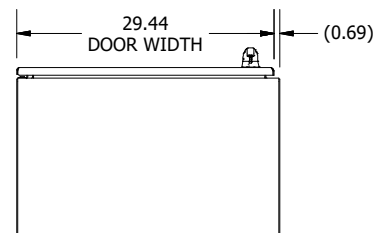
RIGHT SIDE VIEW



3-POINT 316 S.S.  
PADLOCKING  
HANDLE



SECTION C-C  
(INSIDE TOP OF ENCL.)



BOTTOM VIEW

PART #:WRD723018SSFSN4

(DATA SUBJECT TO CHANGE WITHOUT NOTICE)

THIS DRAWING IS THE PROPERTY OF HUBBELL INC. WIEGMANN  
ALL INFORMATION IS PROPRIETARY AND NOT TO BE DUPLICATED