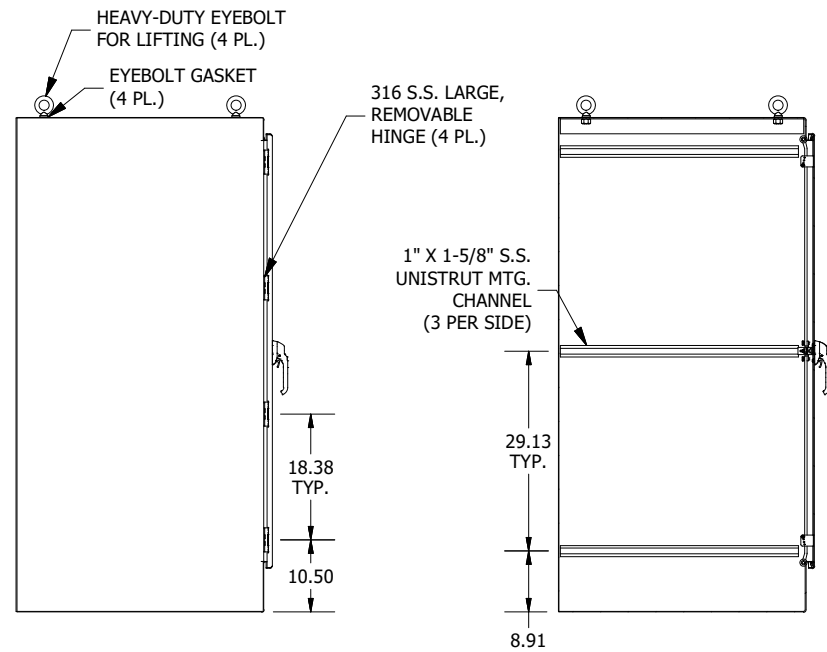
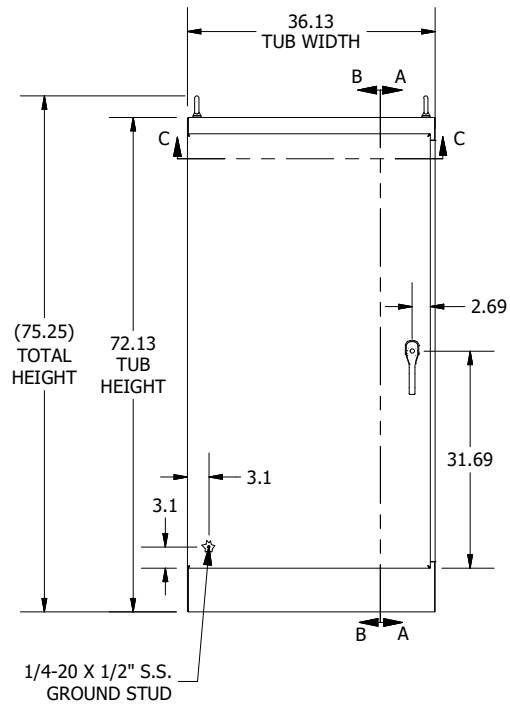


TOP VIEW

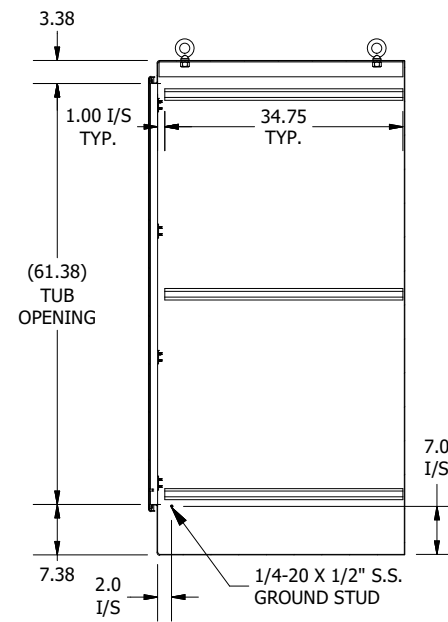


LEFT SIDE VIEW

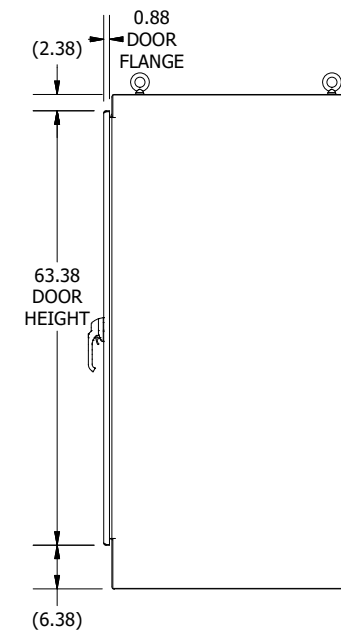
**SECTION A-A
(INSIDE RIGHT OF ENCL.)**



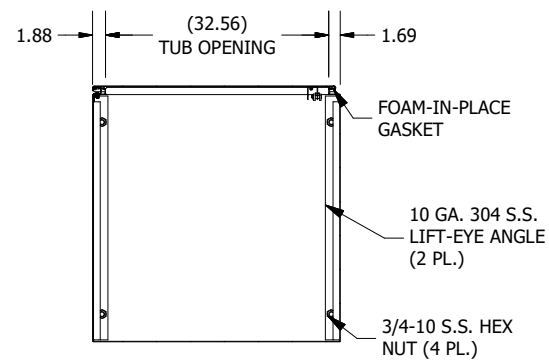
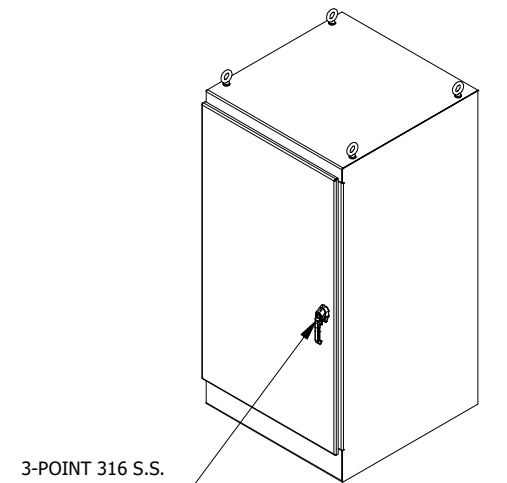
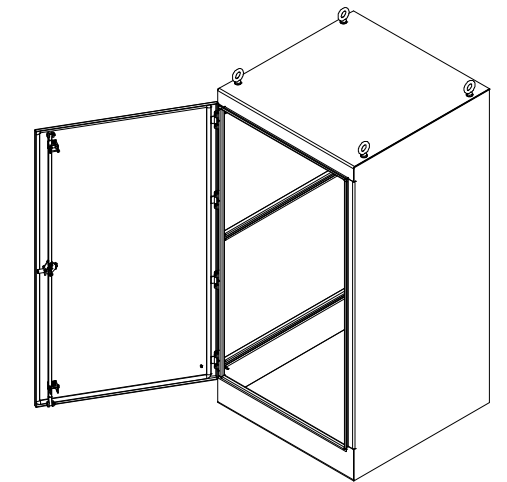
FRONT VIEW



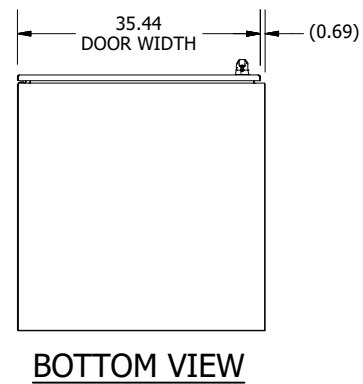
**SECTION B-B
(INSIDE LEFT OF ENCL.)**



RIGHT SIDE VIEW



**SECTION C-C
(INSIDE TOP OF ENCL.)**



BOTTOM VIEW

PART #:WRD723636SSFSN4

(DATA SUBJECT TO CHANGE WITHOUT NOTICE)

**THIS DRAWING IS THE PROPERTY OF HUBBELL INC. WIEGMANN
ALL INFORMATION IS PROPRIETARY AND NOT TO BE DUPLICATED**