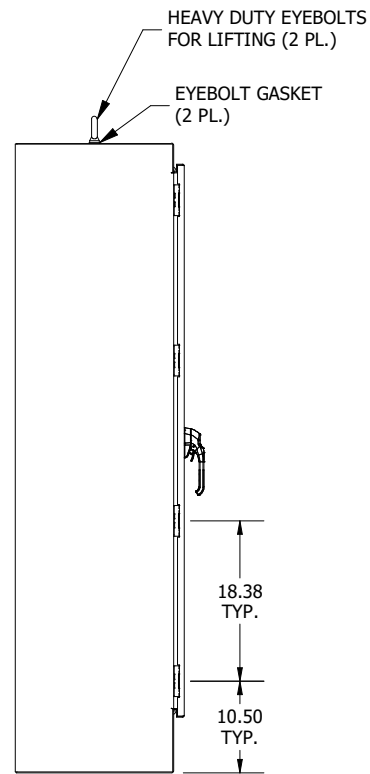
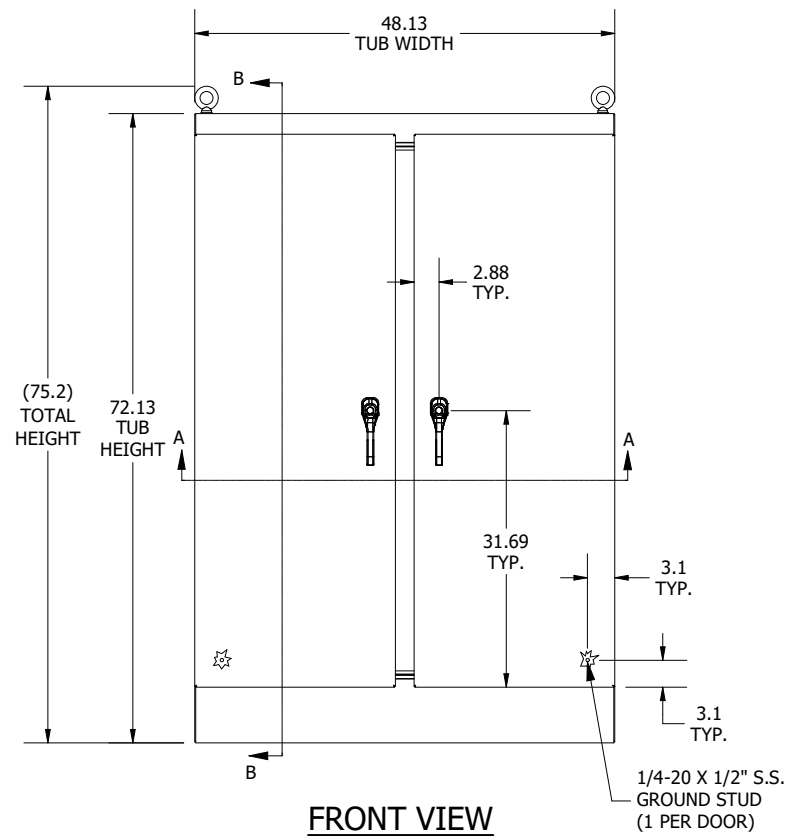


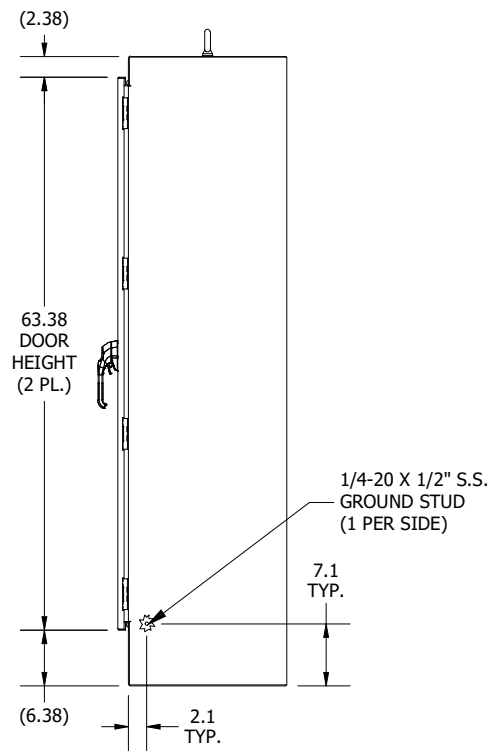
TOP VIEW



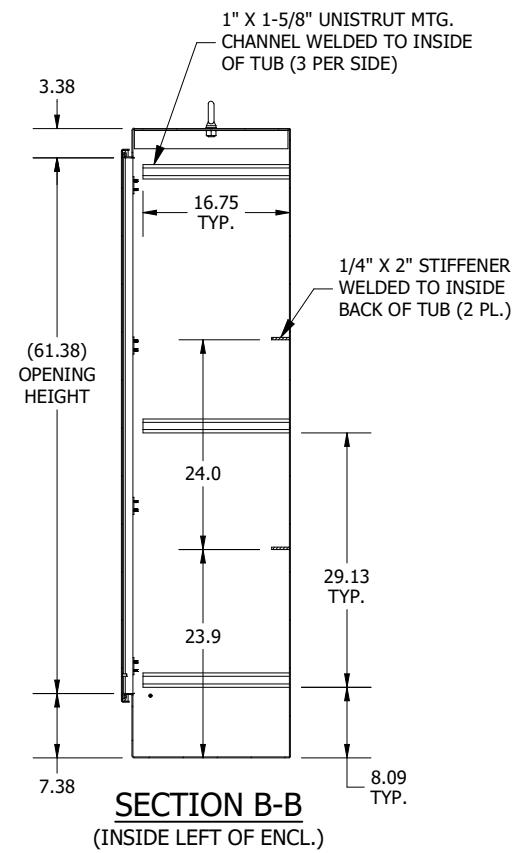
LEFT SIDE VIEW



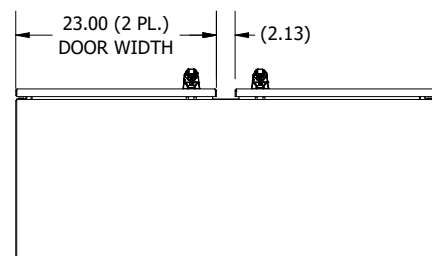
FRONT VIEW



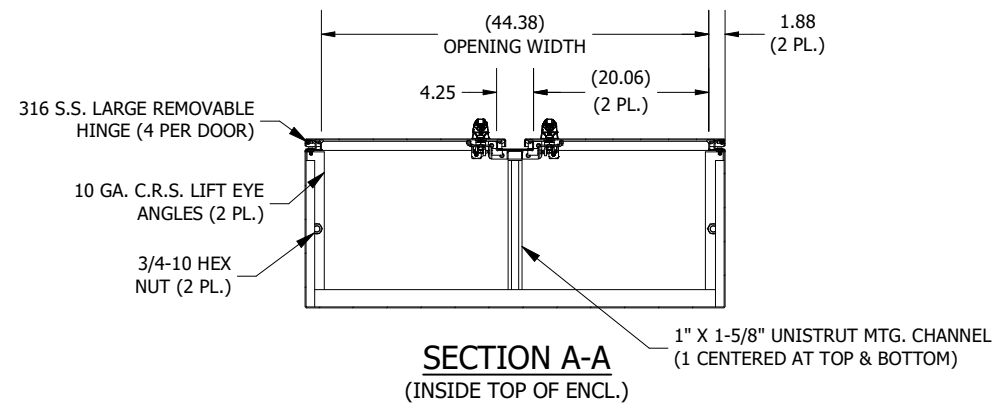
RIGHT SIDE VIEW



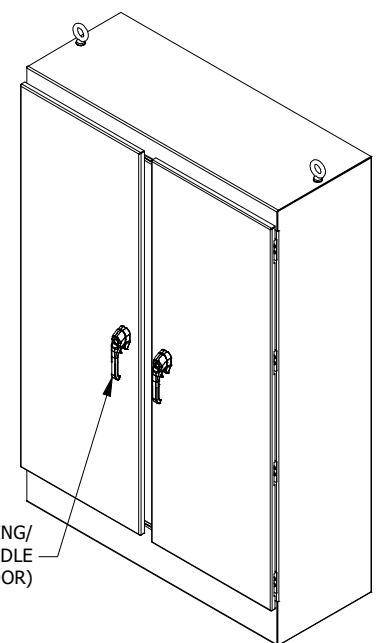
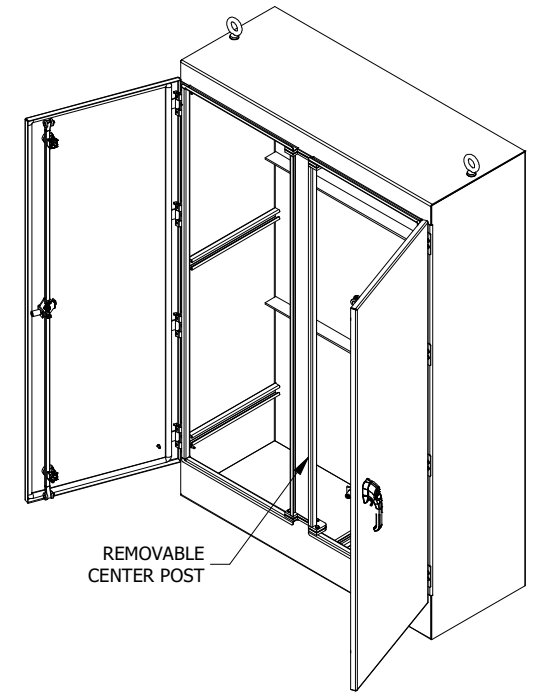
SECTION B-B  
(INSIDE LEFT OF ENCL.)



BOTTOM VIEW



SECTION A-A  
(INSIDE TOP OF ENCL.)



PART #:WRD724818FSD4  
 (DATA SUBJECT TO CHANGE WITHOUT NOTICE)  
 THIS DRAWING IS THE PROPERTY OF HUBBELL INC. WIEGMANN  
 ALL INFORMATION IS PROPRIETARY AND NOT TO BE DUPLICATED