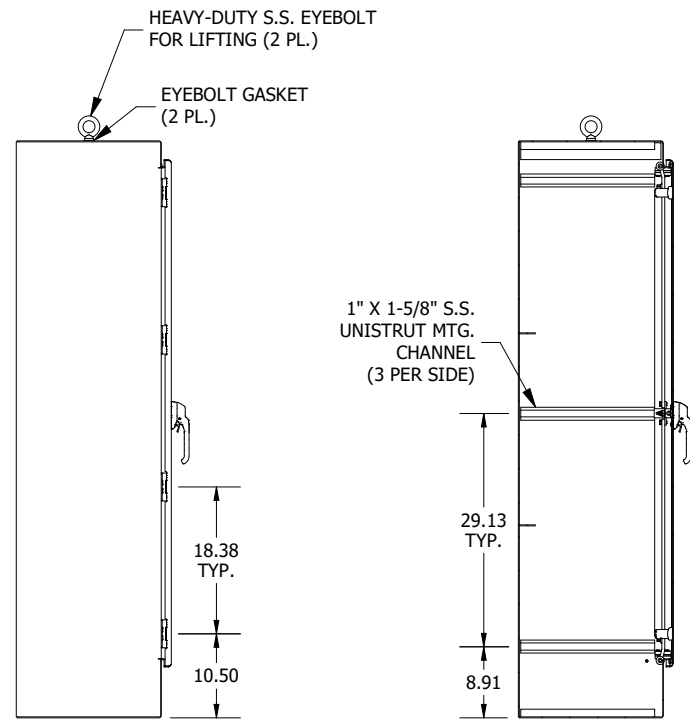
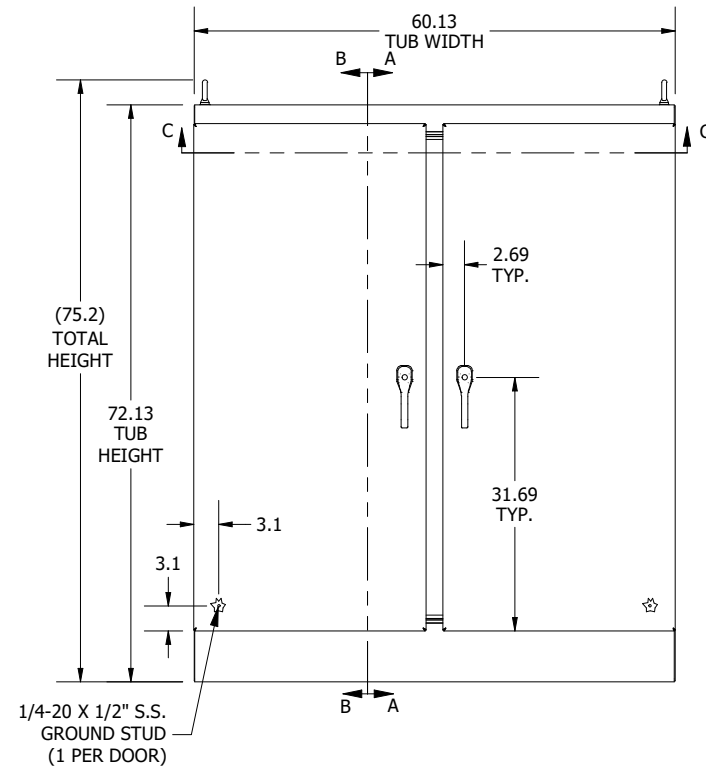


TOP VIEW

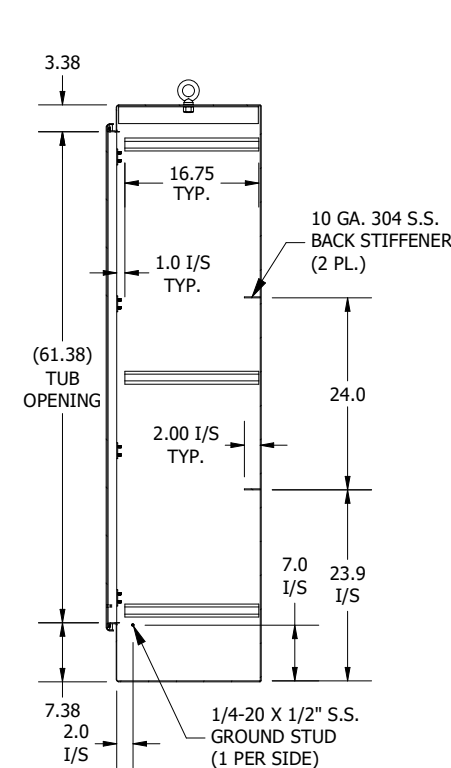


LEFT SIDE VIEW

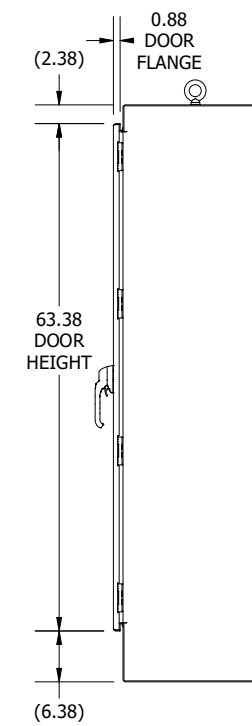
**SECTION A-A
(INSIDE RIGHT OF ENCL.)**



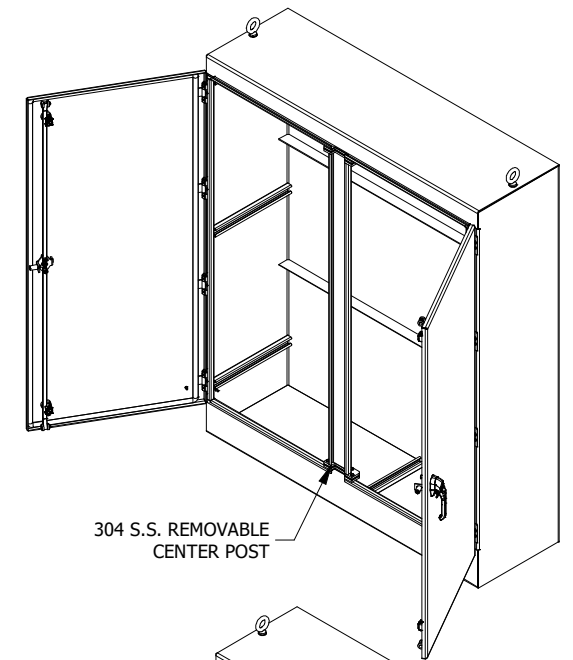
FRONT VIEW



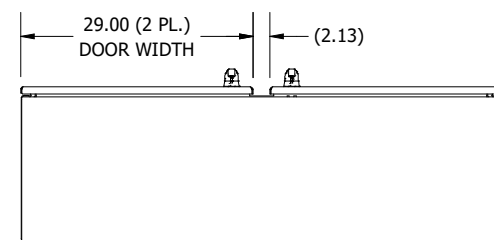
**SECTION B-B
(INSIDE LEFT OF ENCL.)**



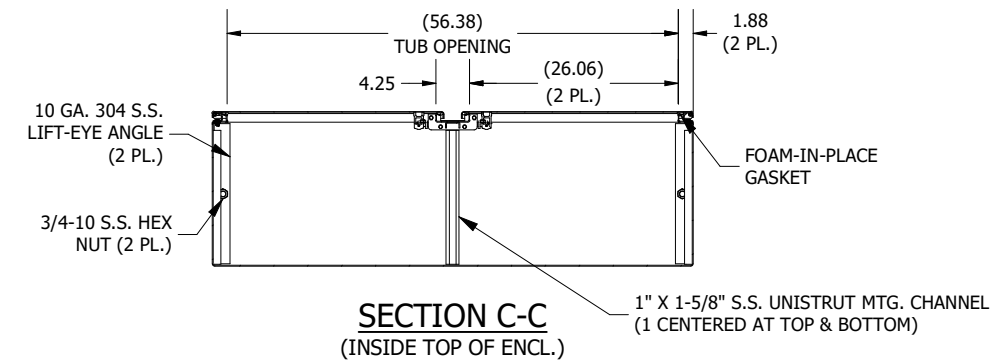
RIGHT SIDE VIEW



**3-POINT 316 S.S.
PADLOCKING HANDLE
(1 PER DOOR)**



BOTTOM VIEW



**SECTION C-C
(INSIDE TOP OF ENCL.)**

**PART #:WRD726018SSFSDN4
(DATA SUBJECT TO CHANGE WITHOUT NOTICE)
THIS DRAWING IS THE PROPERTY OF HUBBELL INC. WIEGMANN
ALL INFORMATION IS PROPRIETARY AND NOT TO BE DUPLICATED**