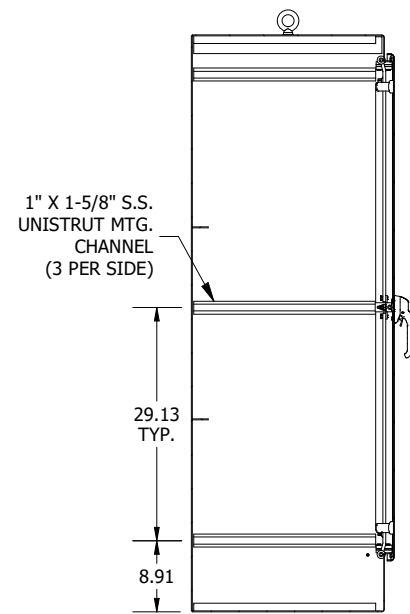
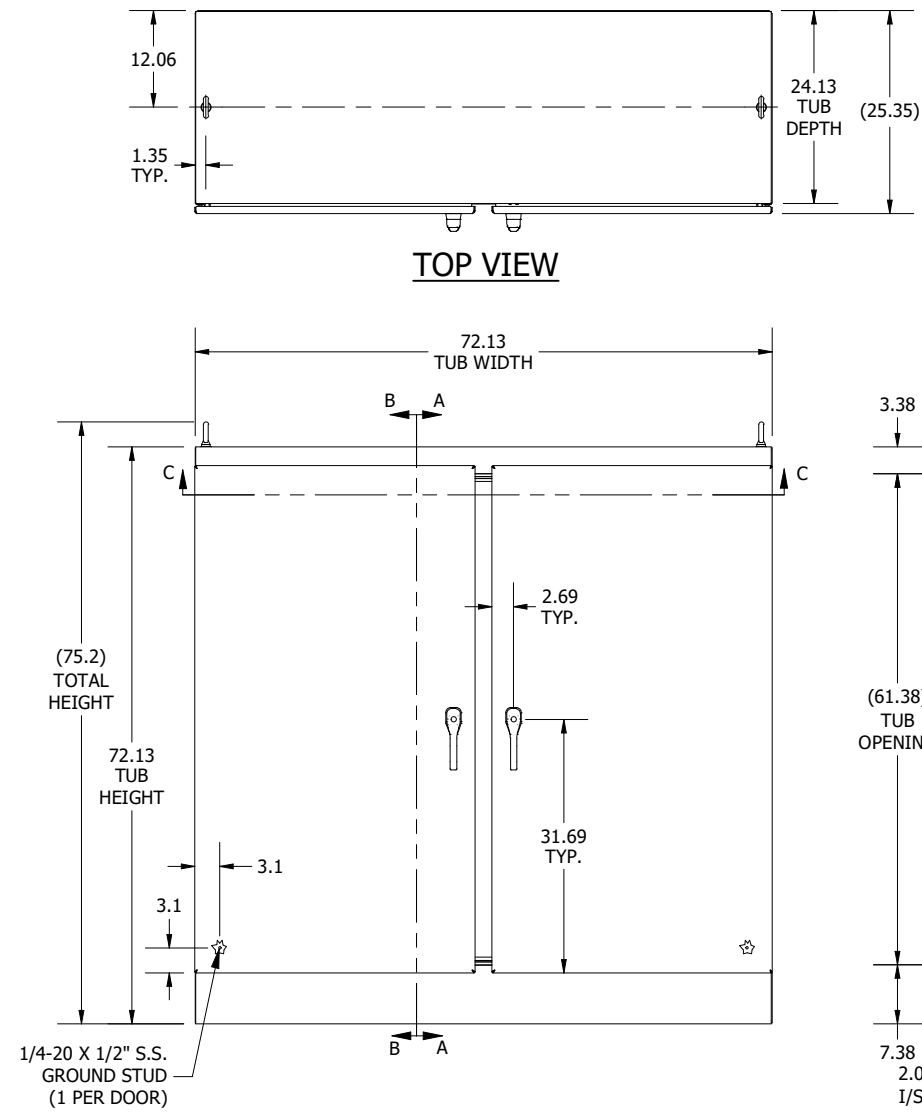


**LEFT SIDE VIEW**

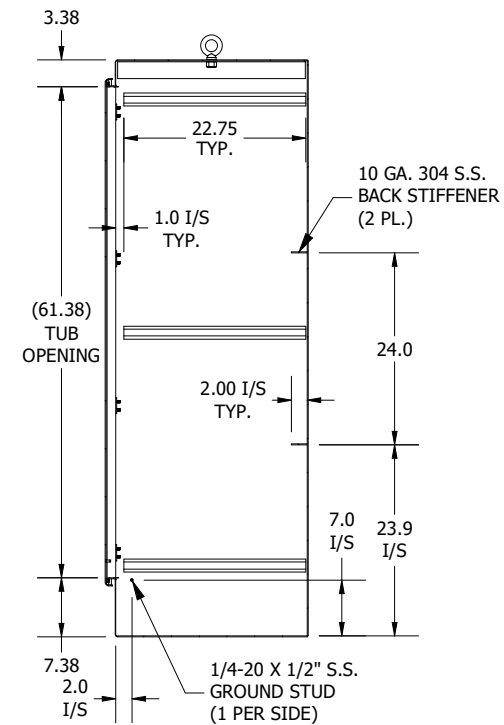


**SECTION A-A  
(INSIDE RIGHT OF ENCL.)**

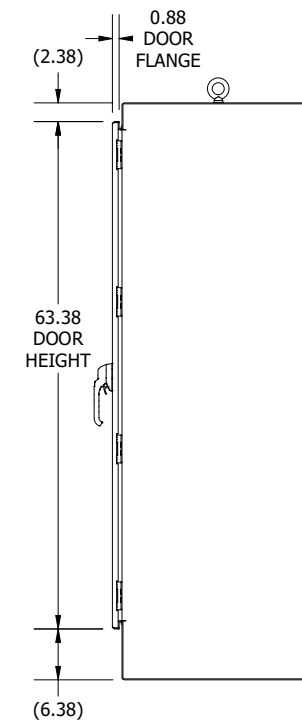


**TOP VIEW**

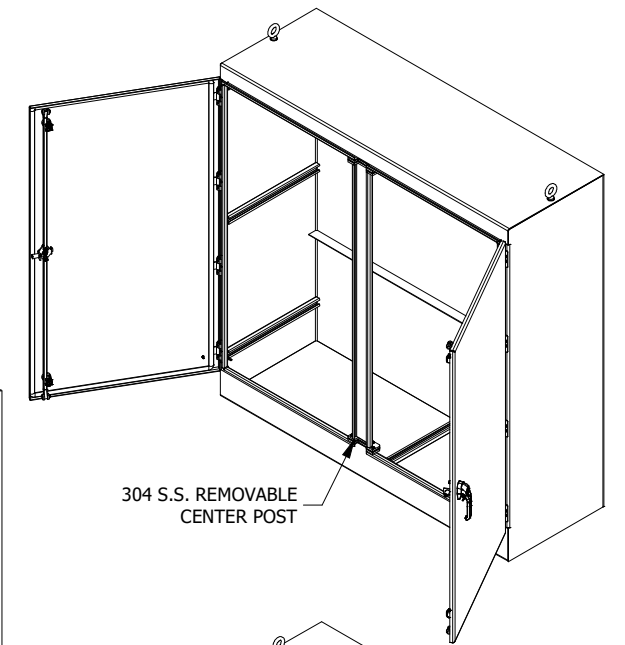
**FRONT VIEW**



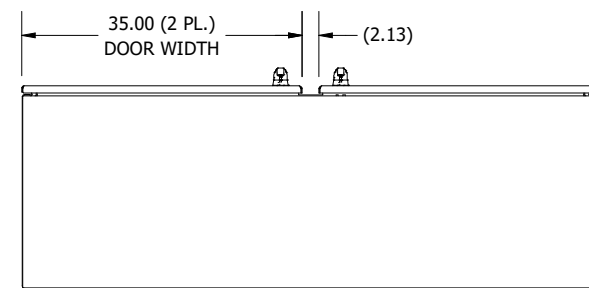
**SECTION B-B  
(INSIDE LEFT OF ENCL.)**



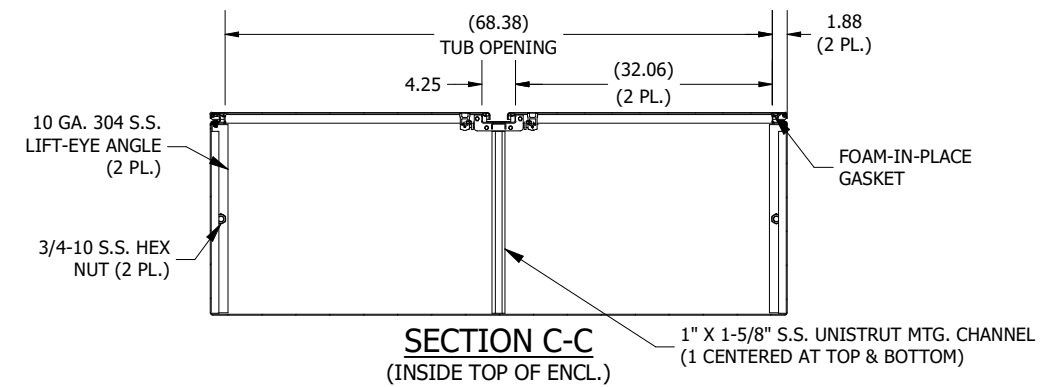
**RIGHT SIDE VIEW**



**3-POINT 316 S.S.  
PADLOCKING HANDLE  
(1 PER DOOR)**



**BOTTOM VIEW**



**SECTION C-C  
(INSIDE TOP OF ENCL.)**

**PART #:WRD727224SSFSDN4**  
**(DATA SUBJECT TO CHANGE WITHOUT NOTICE)**  
**THIS DRAWING IS THE PROPERTY OF HUBBELL INC. WIEGMANN**  
**ALL INFORMATION IS PROPRIETARY AND NOT TO BE DUPLICATED**