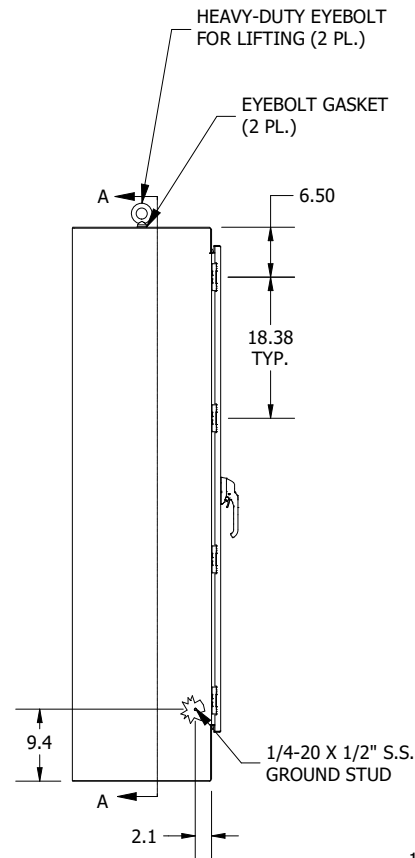
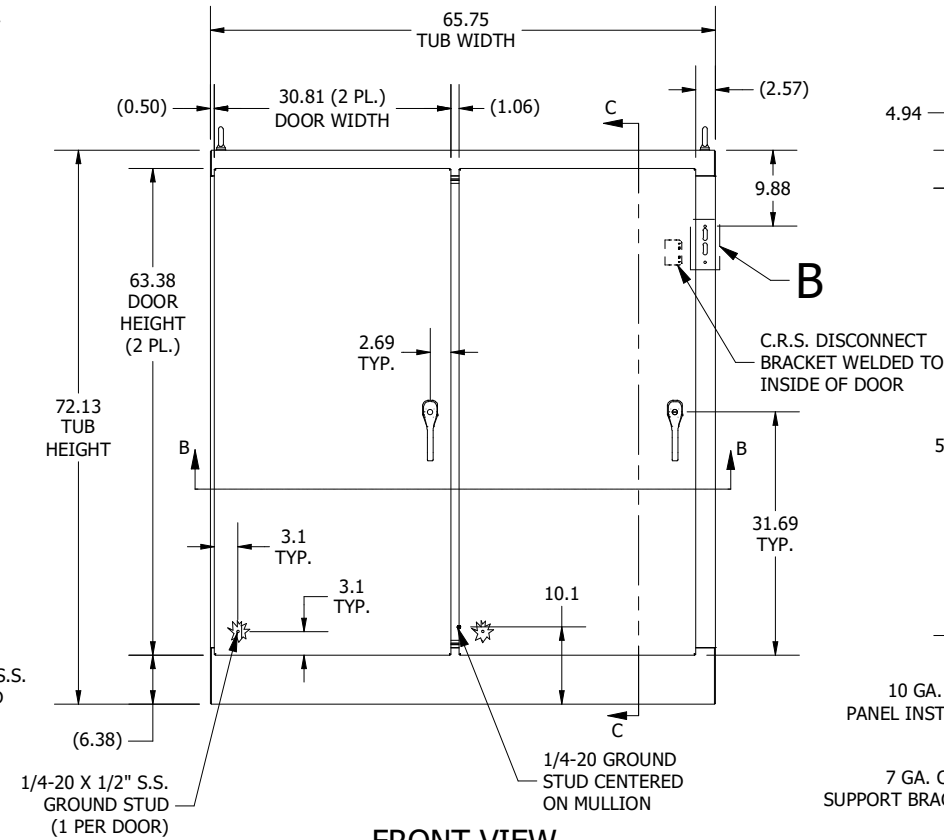


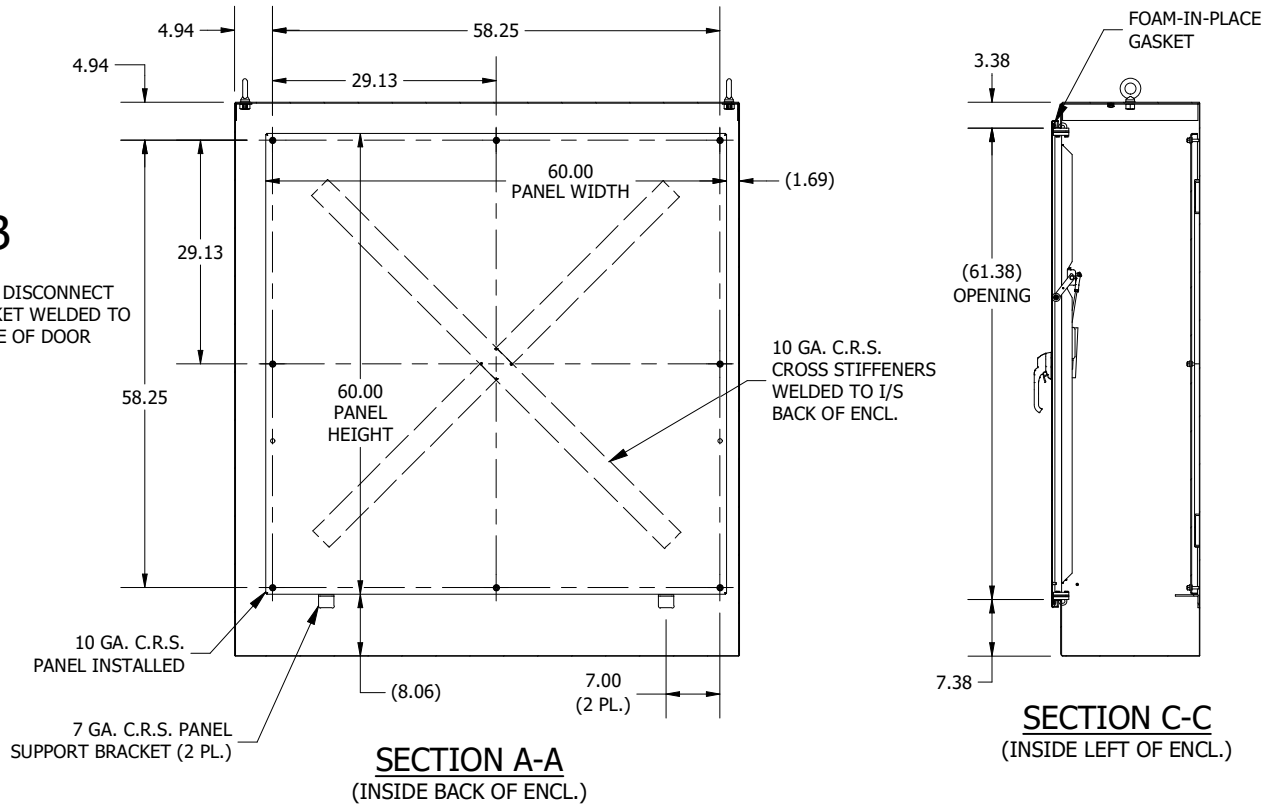
TOP VIEW



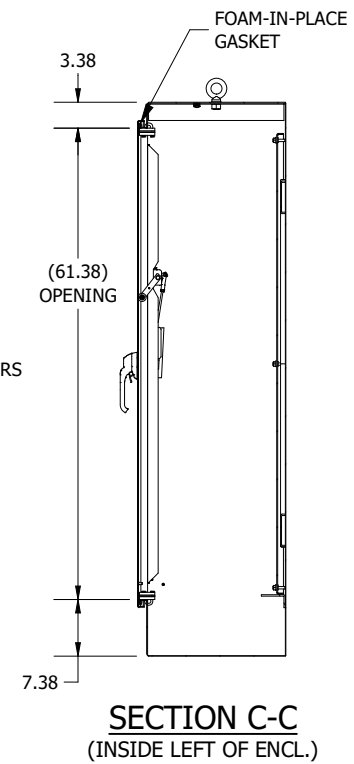
LEFT SIDE VIEW



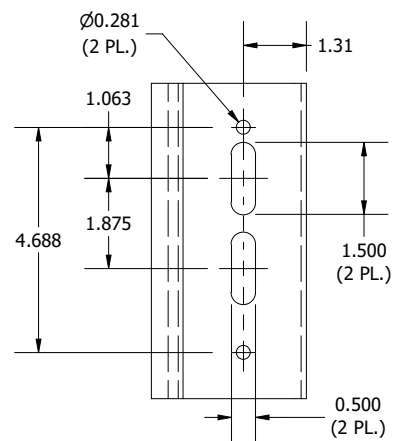
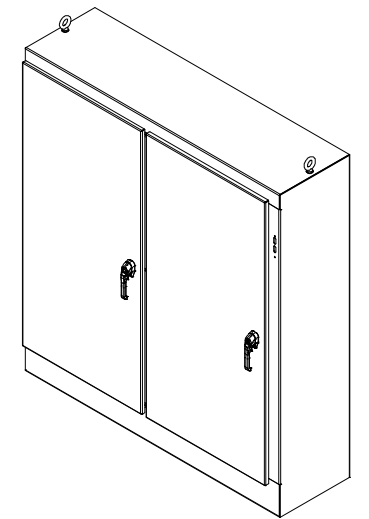
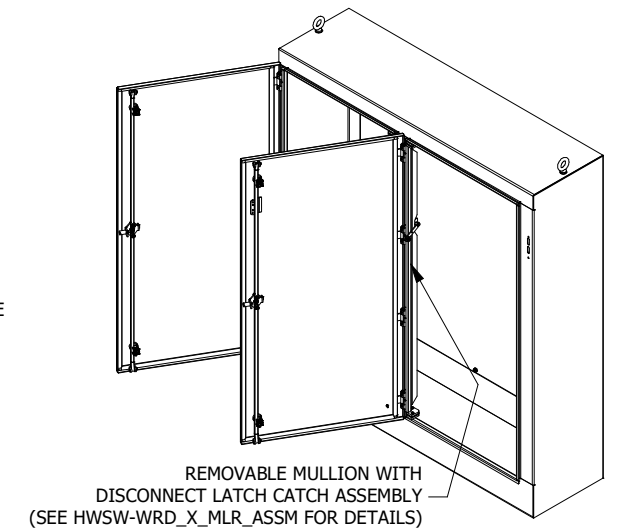
FRONT VIEW



**SECTION A-A
(INSIDE BACK OF ENCL.)**

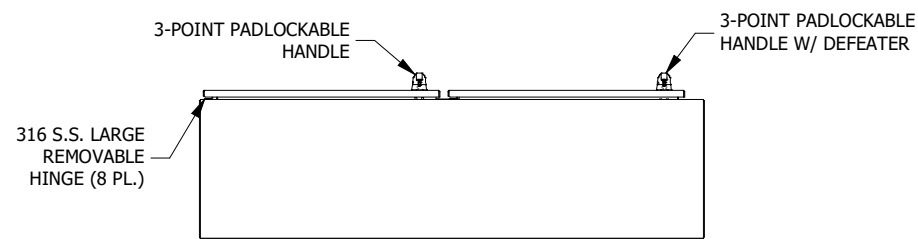


**SECTION C-C
(INSIDE LEFT OF ENCL.)**

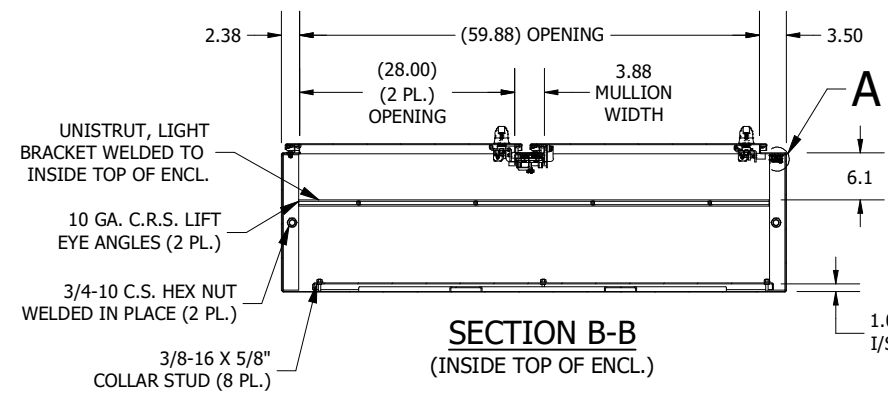


DETAIL B

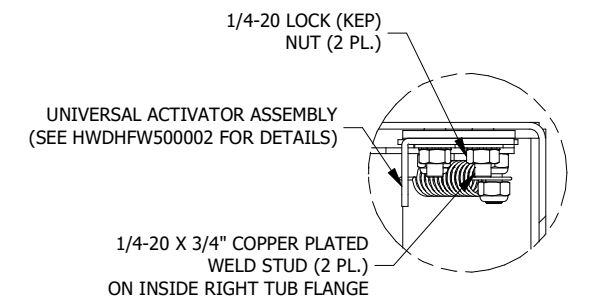
(DISCONNECT CUTOUT DETAIL)



BOTTOM VIEW



**SECTION B-B
(INSIDE TOP OF ENCL.)**



DETAIL A

(UNIV. ACTIVATOR INSTALL)

PART #:WRD72XM6518FSD4

(DATA SUBJECT TO CHANGE WITHOUT NOTICE)

THIS DRAWING IS THE PROPERTY OF HUBBELL INC. WIEGMANN

ALL INFORMATION IS PROPRIETARY AND NOT TO BE DUPLICATED