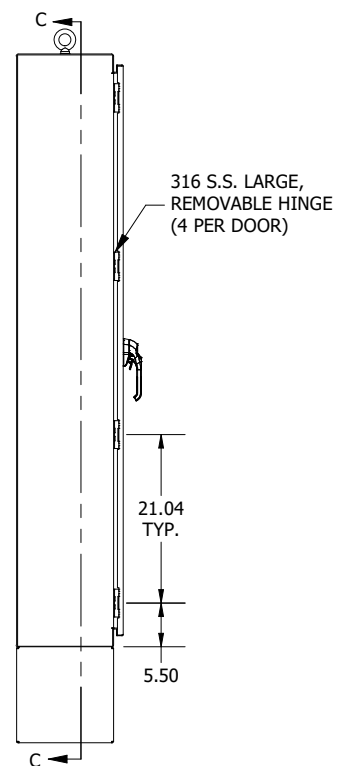
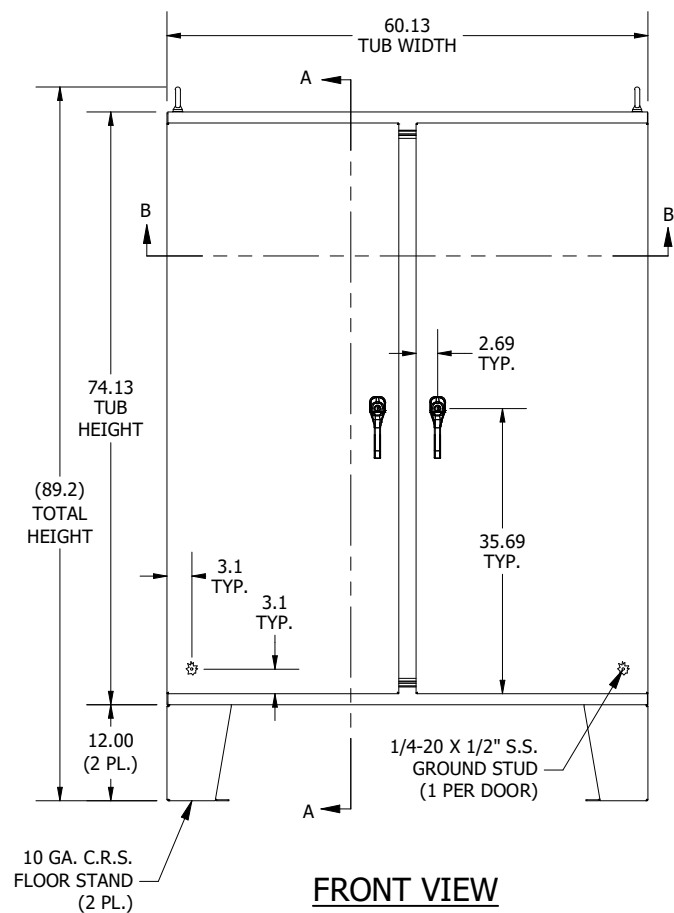


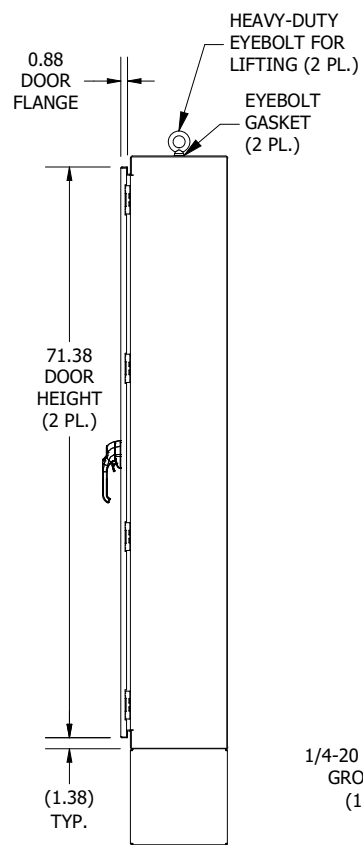
TOP VIEW



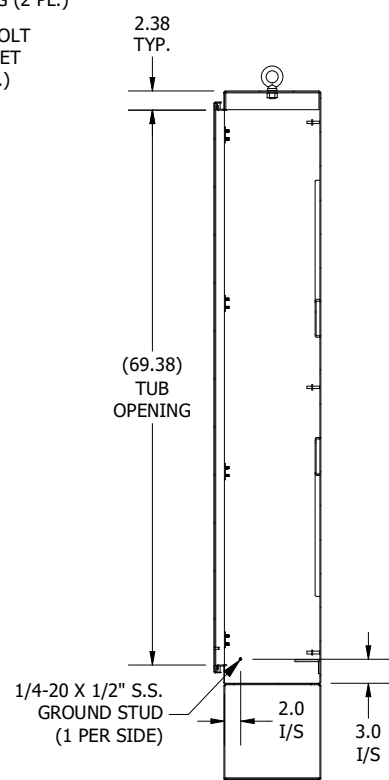
LEFT SIDE VIEW



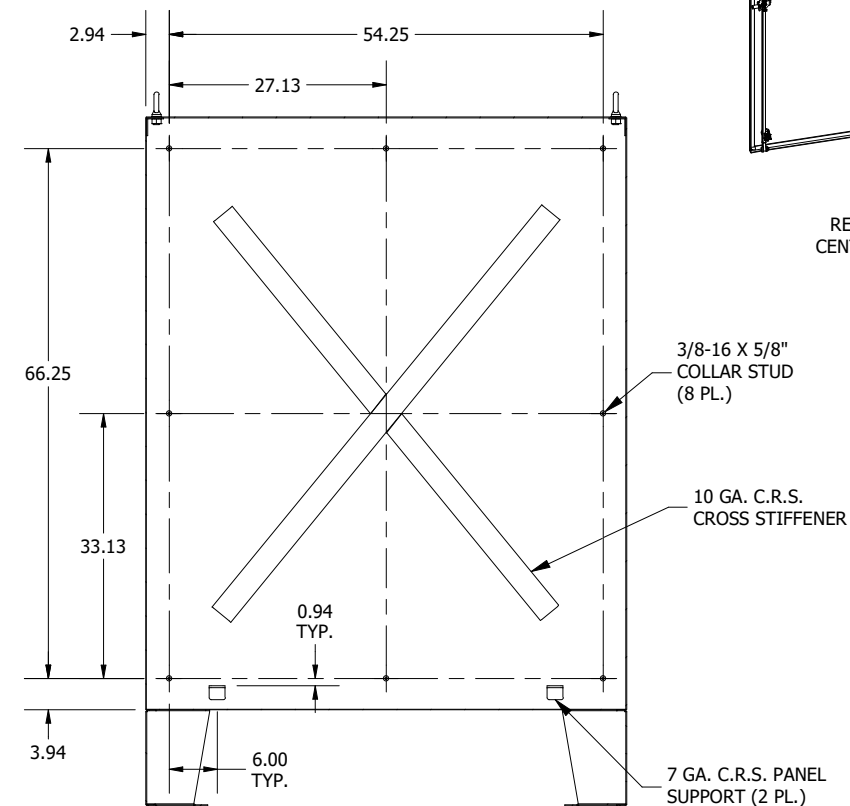
FRONT VIEW



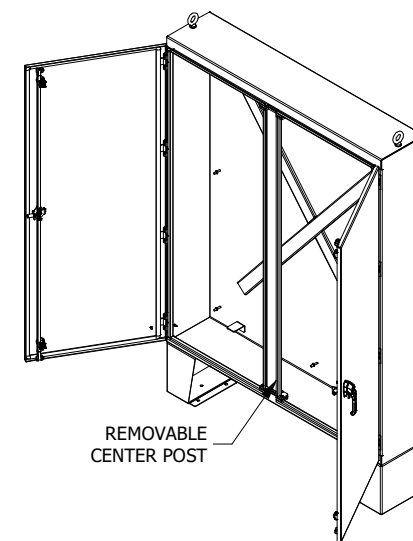
RIGHT SIDE VIEW



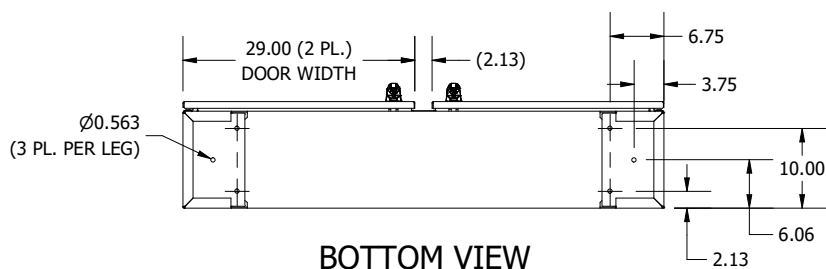
**SECTION A-A
(INSIDE LEFT OF ENCL.)**



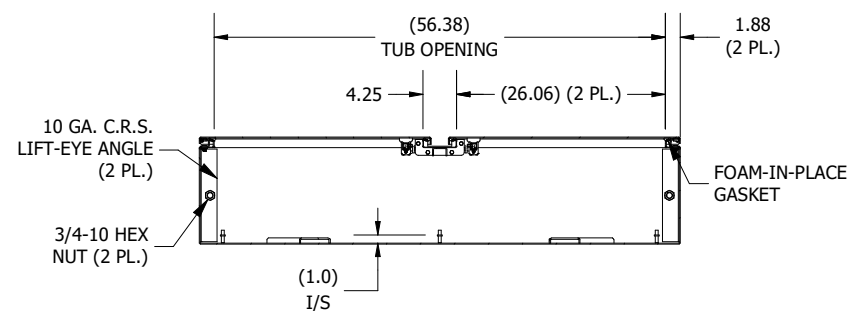
**SECTION C-C
(INSIDE BACK OF ENCL.)**



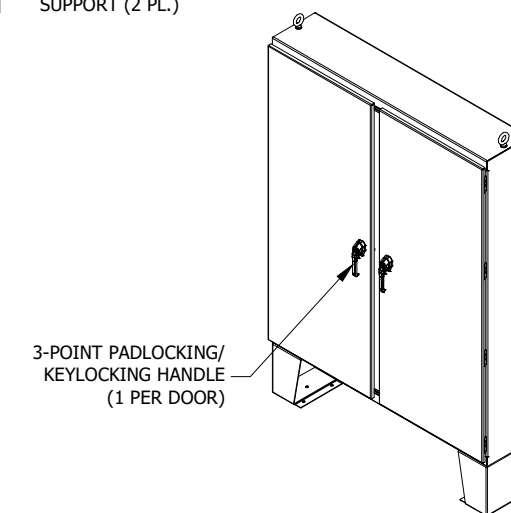
REMOVABLE CENTER POST



BOTTOM VIEW



**SECTION B-B
(INSIDE TOP OF ENCL.)**



3-POINT PADLOCKING/
KEYLOCKING HANDLE
(1 PER DOOR)

PART #:WRD746012N4D3PT
 (DATA SUBJECT TO CHANGE WITHOUT NOTICE)
 THIS DRAWING IS THE PROPERTY OF HUBBELL INC. WIEGMANN
 ALL INFORMATION IS PROPRIETARY AND NOT TO BE DUPLICATED