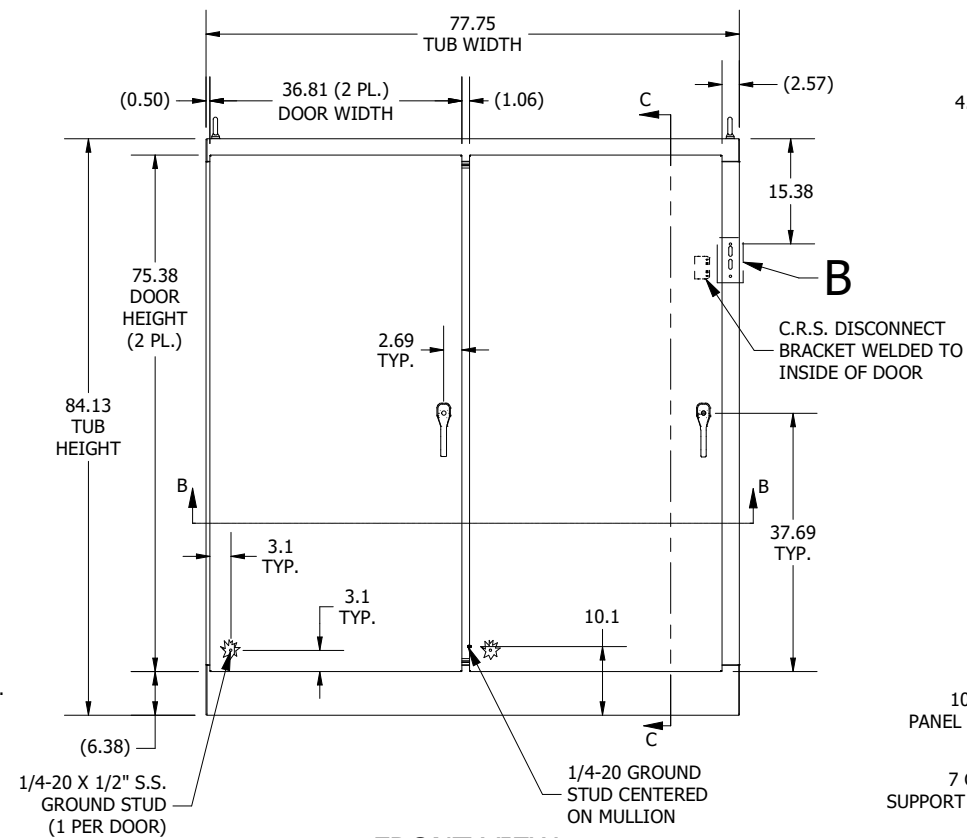
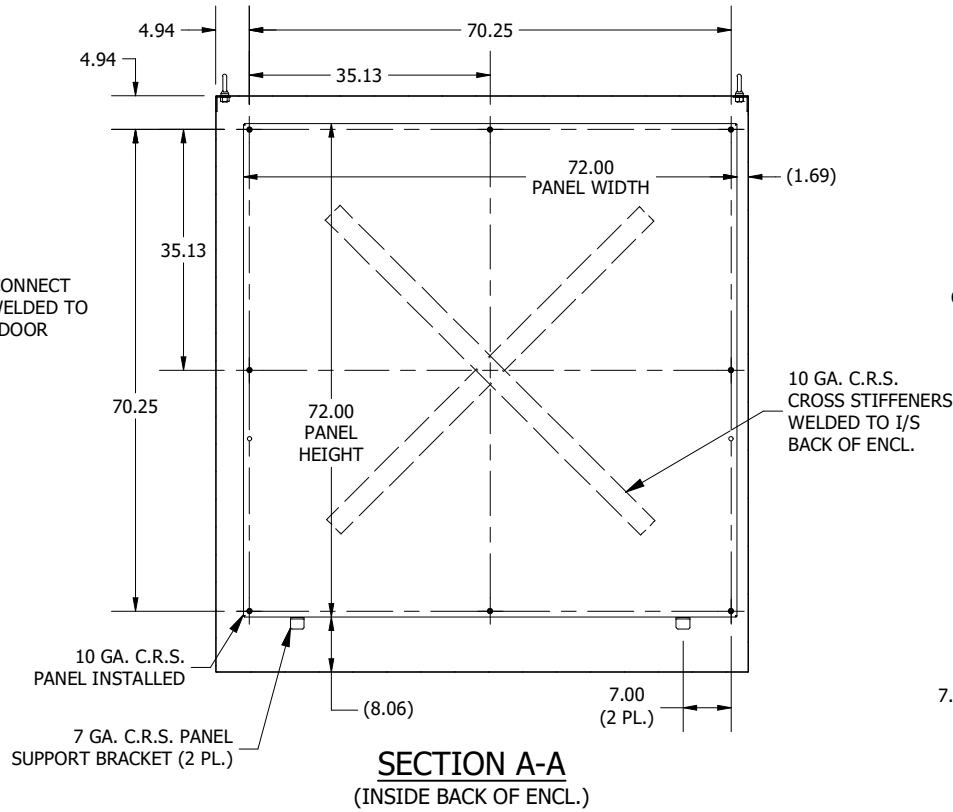


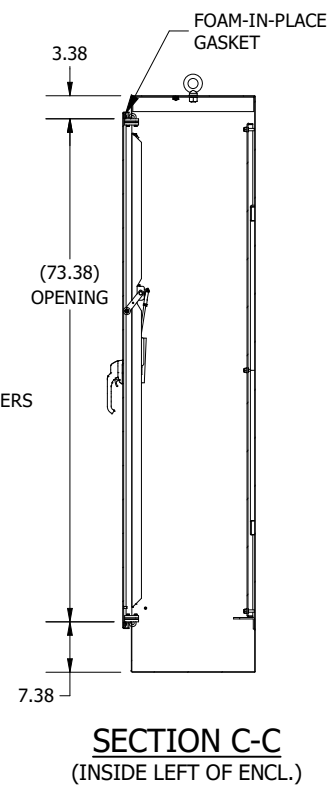
TOP VIEW



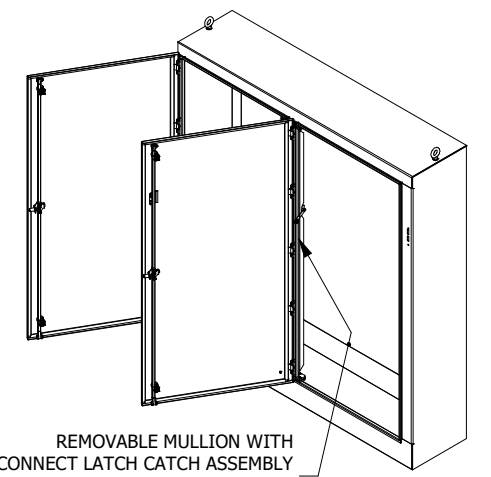
FRONT VIEW



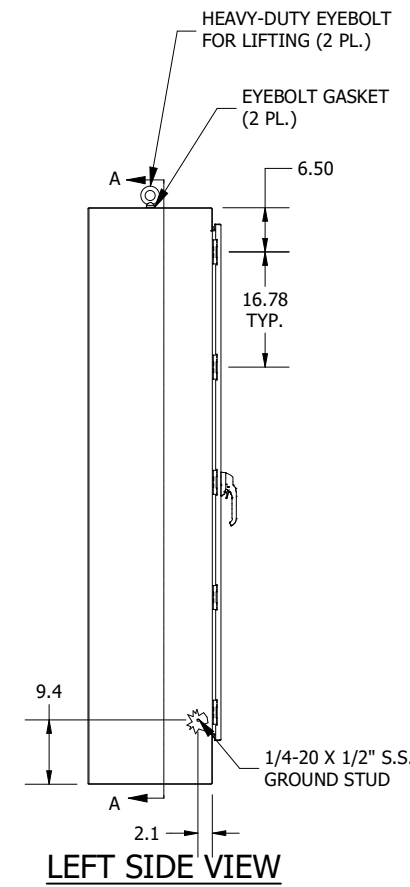
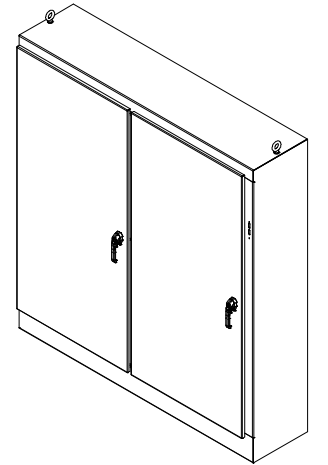
**SECTION A-A
(INSIDE BACK OF ENCL.)**



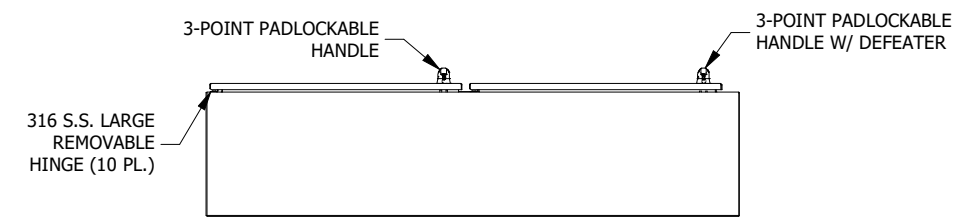
**SECTION C-C
(INSIDE LEFT OF ENCL.)**



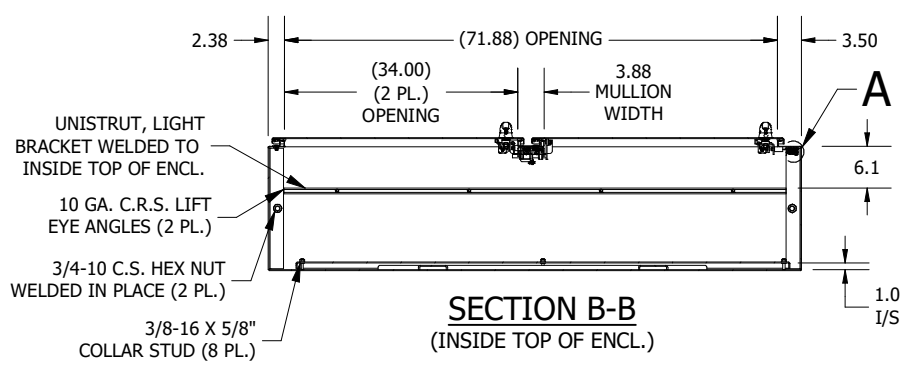
REMOVABLE MULLION WITH DISCONNECT LATCH CATCH ASSEMBLY (SEE HWSW-WRD_X_MLR_ASSM FOR DETAILS)



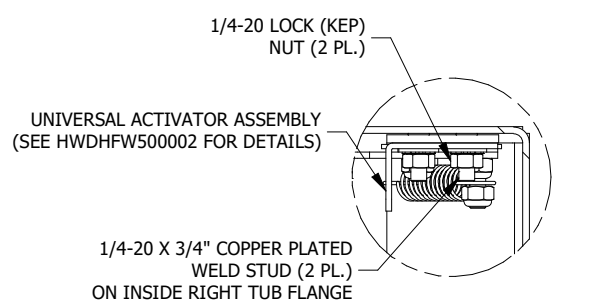
LEFT SIDE VIEW



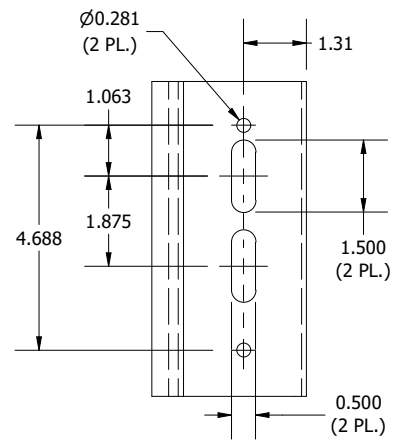
BOTTOM VIEW



**SECTION B-B
(INSIDE TOP OF ENCL.)**



**DETAIL A
(UNIV. ACTIVATOR INSTALL)**



**DETAIL B
(DISCONNECT CUTOUT DETAIL)**

PART #:WRD84XM7718FSD4
 (DATA SUBJECT TO CHANGE WITHOUT NOTICE)
 THIS DRAWING IS THE PROPERTY OF HUBBELL INC. WIEGMANN
 ALL INFORMATION IS PROPRIETARY AND NOT TO BE DUPLICATED