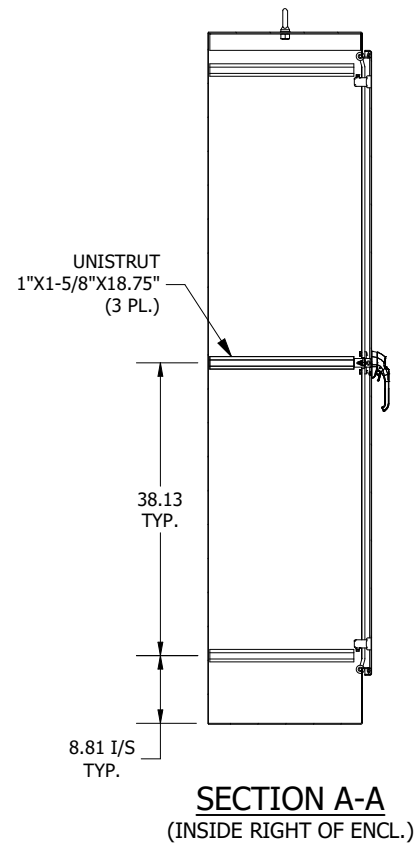
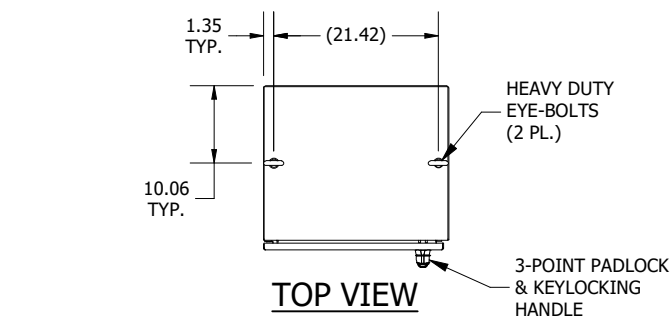


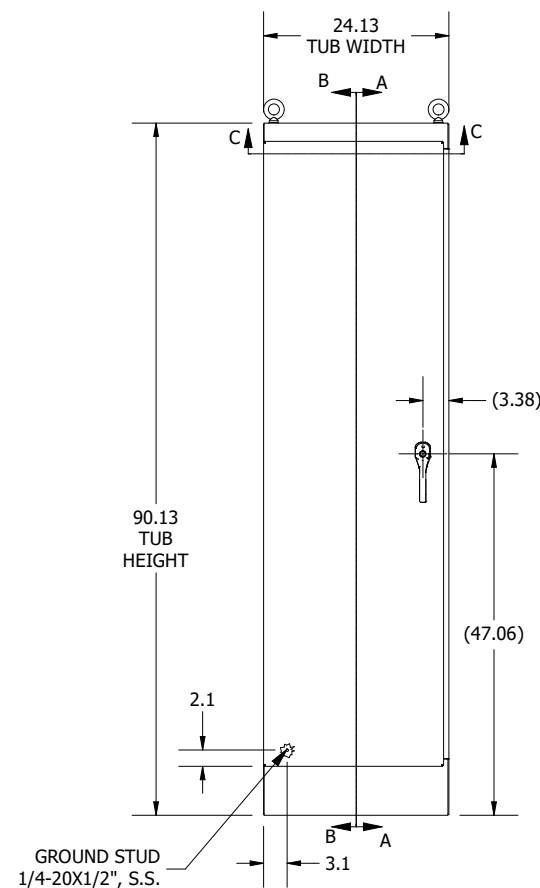
LEFT SIDE VIEW



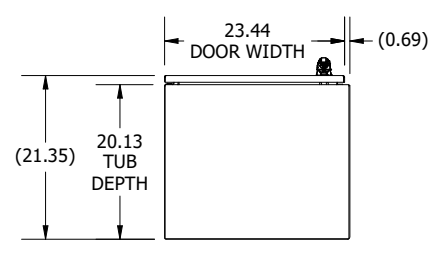
**SECTION A-A
(INSIDE RIGHT OF ENCL.)**



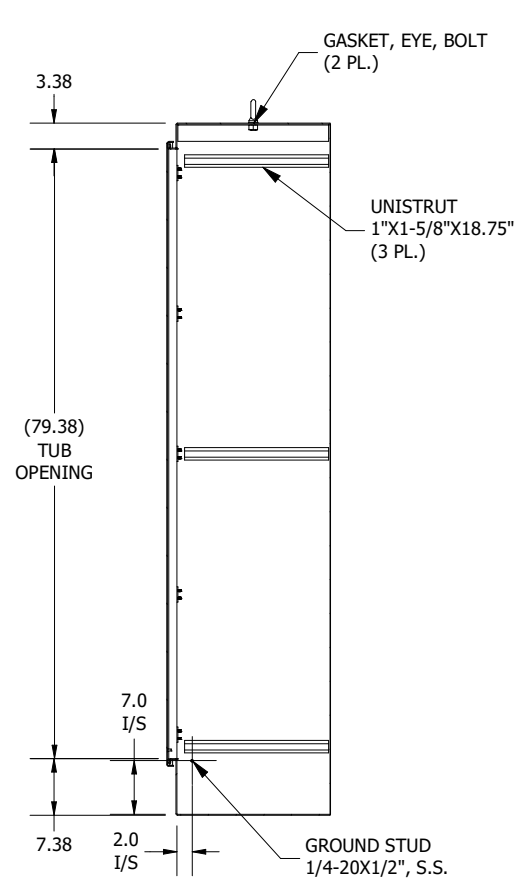
TOP VIEW



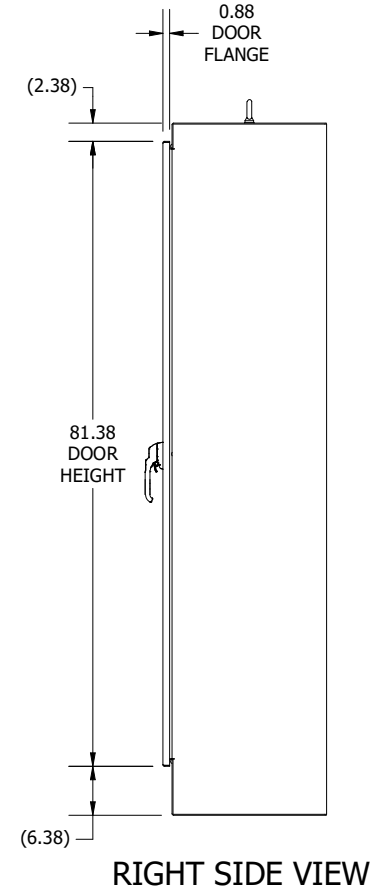
FRONT VIEW



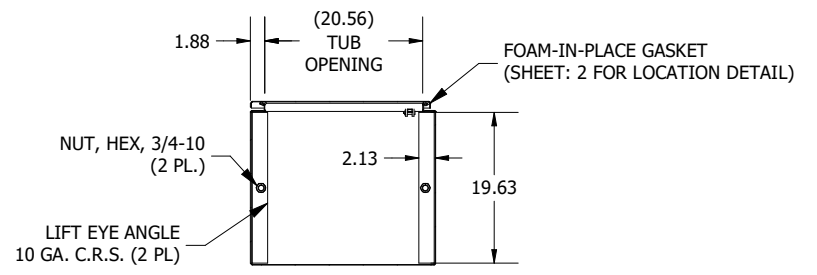
BOTTOM VIEW



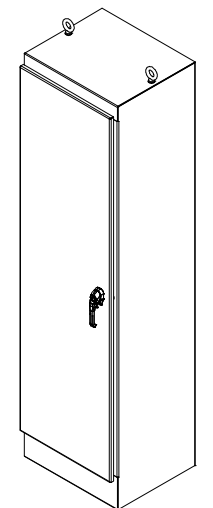
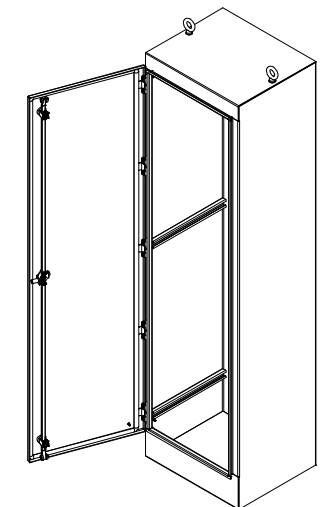
**SECTION B-B
(INSIDE LEFT OF ENCL.)**



RIGHT SIDE VIEW



**SECTION C-C
(INSIDE TOP VIEW OF ENCLOSURE)**



PART #:WRD902420FS4
(DATA SUBJECT TO CHANGE WITHOUT NOTICE)
THIS DRAWING IS THE PROPERTY OF HUBBELL INC. WIEGMANN
ALL INFORMATION IS PROPRIETARY AND NOT TO BE DUPLICATED