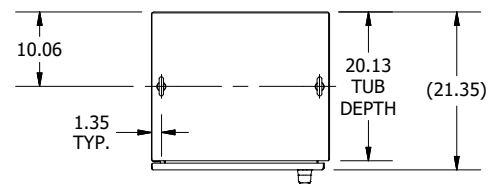
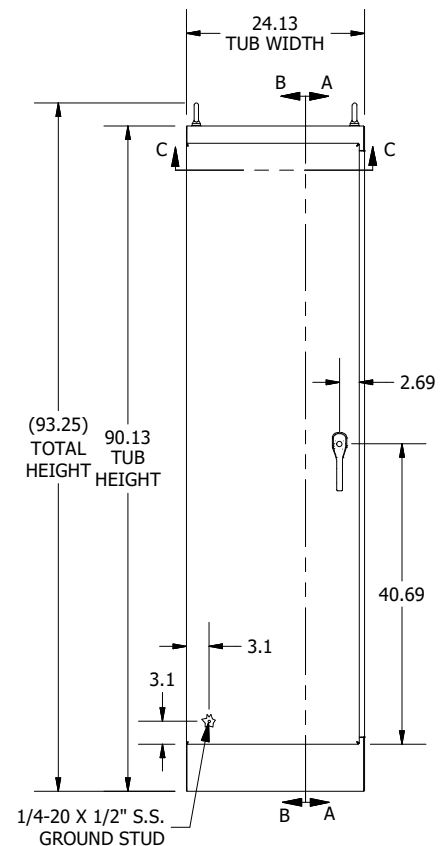


**LEFT SIDE VIEW**

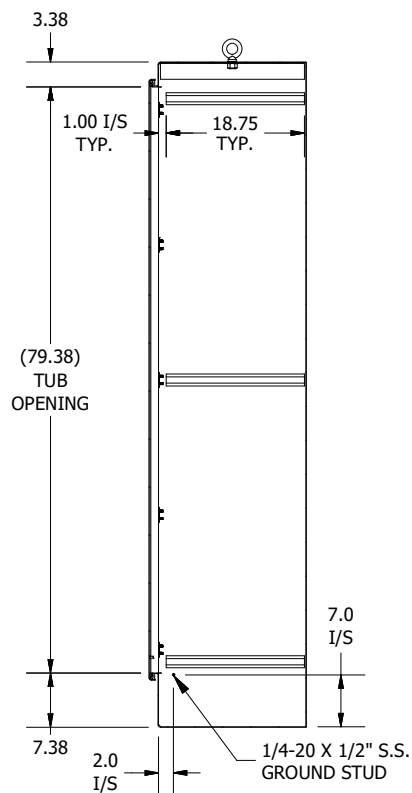
**SECTION A-A**  
(INSIDE RIGHT OF ENCL.)



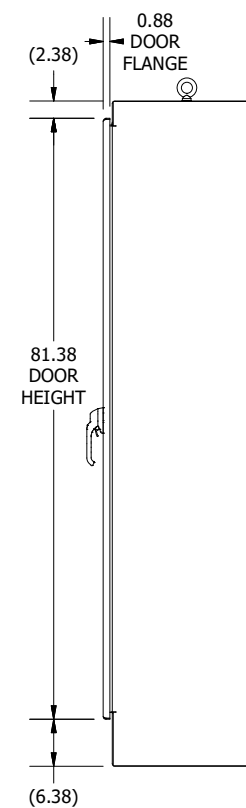
**TOP VIEW**



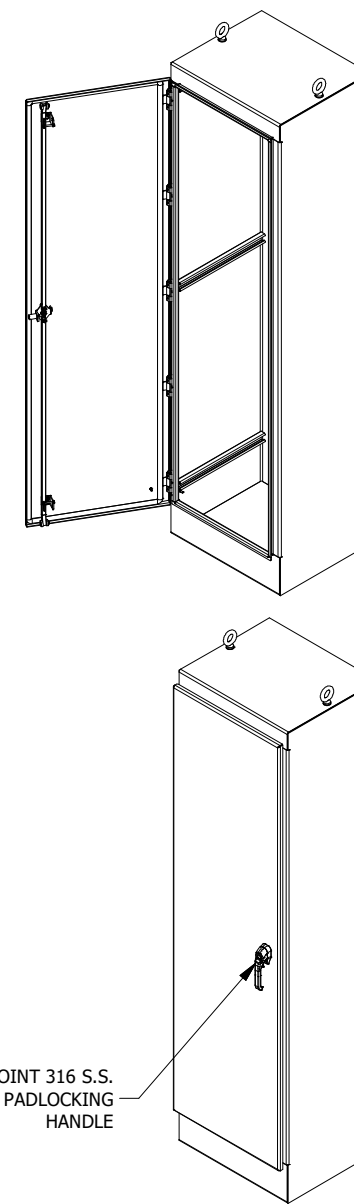
**FRONT VIEW**



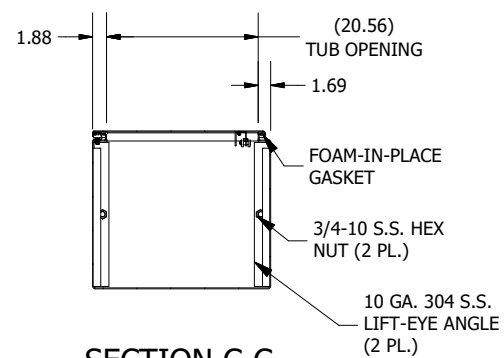
**SECTION B-B**  
(INSIDE LEFT OF ENCL.)



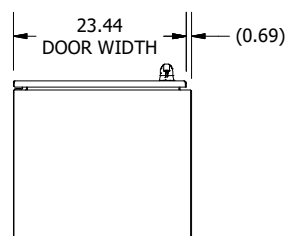
**RIGHT SIDE VIEW**



**3-POINT 316 S.S. PADLOCKING HANDLE**



**SECTION C-C**  
(INSIDE TOP OF ENCL.)



**BOTTOM VIEW**

**PART #:WRD902420SSFSN4**  
 (DATA SUBJECT TO CHANGE WITHOUT NOTICE)  
 THIS DRAWING IS THE PROPERTY OF HUBBELL INC. WIEGMANN  
 ALL INFORMATION IS PROPRIETARY AND NOT TO BE DUPLICATED