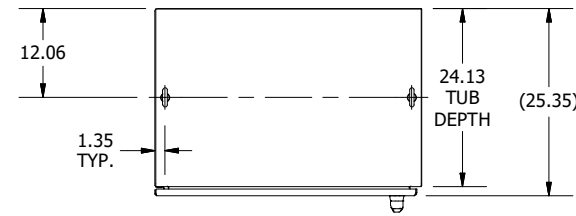
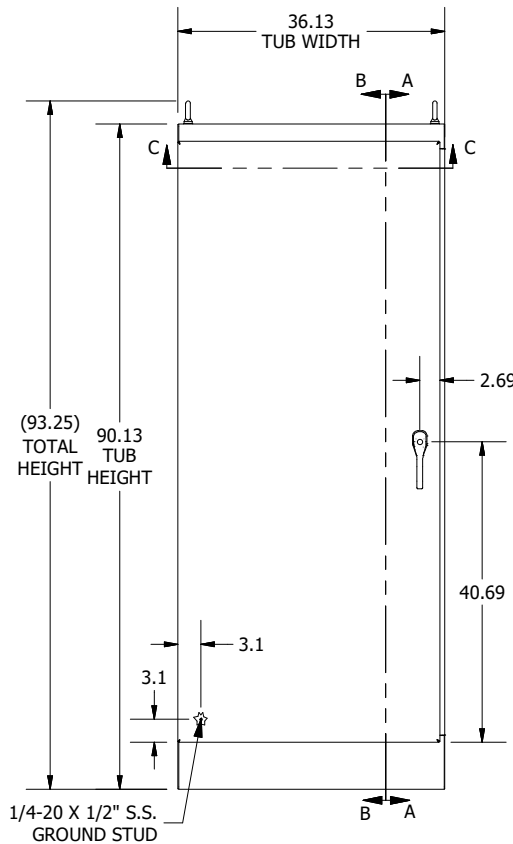


LEFT SIDE VIEW

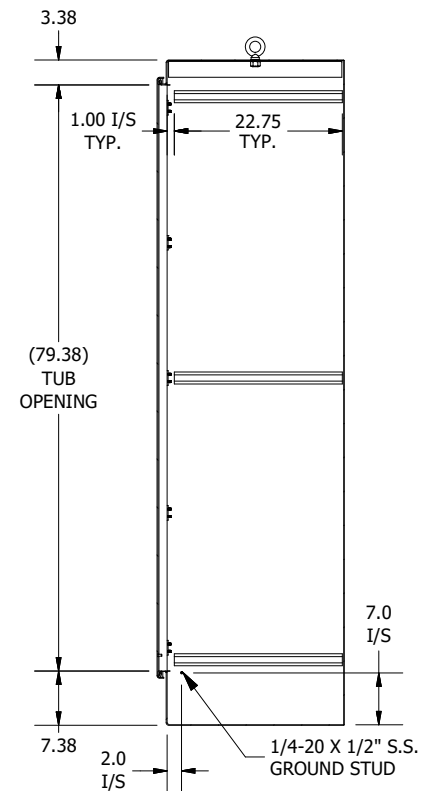
SECTION A-A
(INSIDE RIGHT OF ENCL.)



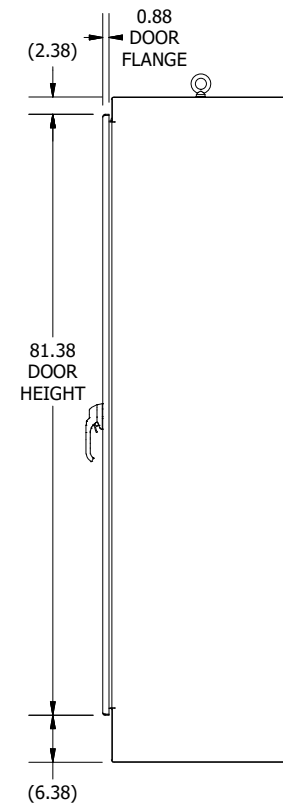
TOP VIEW



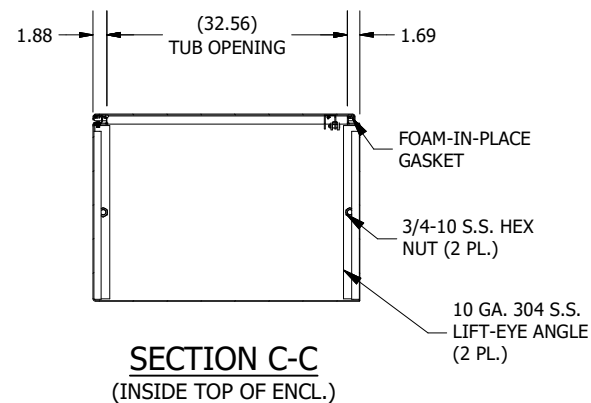
FRONT VIEW



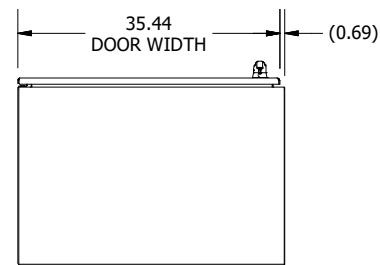
SECTION B-B
(INSIDE LEFT OF ENCL.)



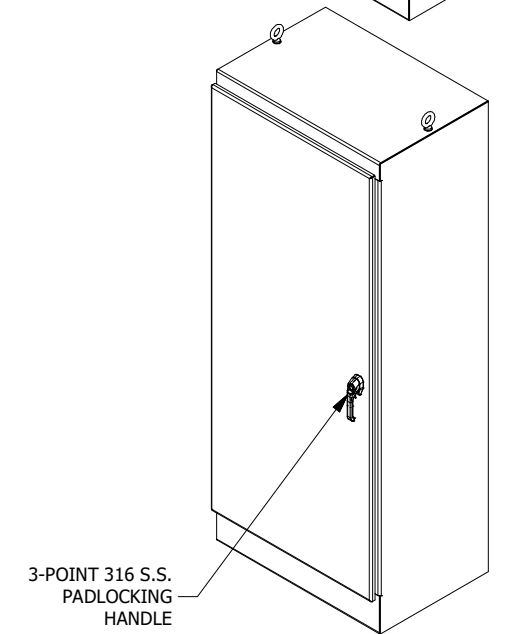
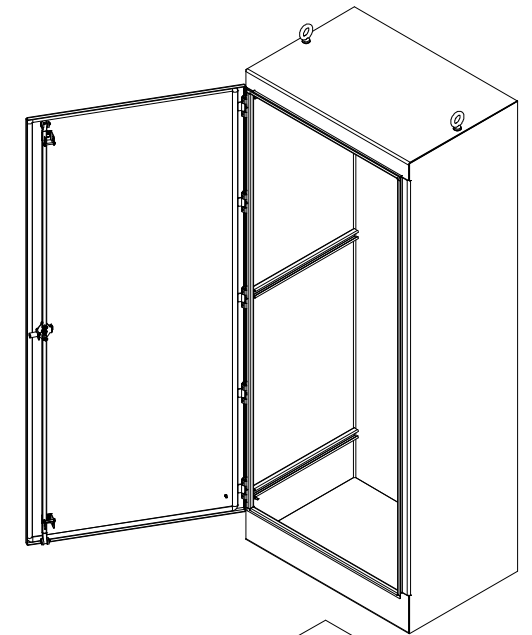
RIGHT SIDE VIEW



SECTION C-C
(INSIDE TOP OF ENCL.)



BOTTOM VIEW



PART #:WRD903624SSFSN4
 (DATA SUBJECT TO CHANGE WITHOUT NOTICE)
 THIS DRAWING IS THE PROPERTY OF HUBBELL INC. WIEGMANN
 ALL INFORMATION IS PROPRIETARY AND NOT TO BE DUPLICATED