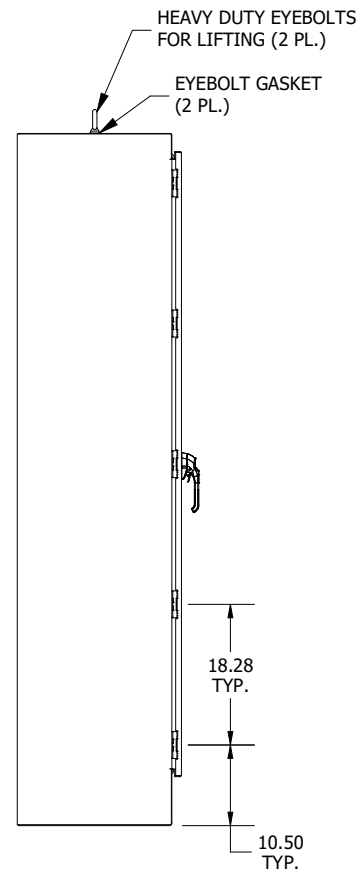
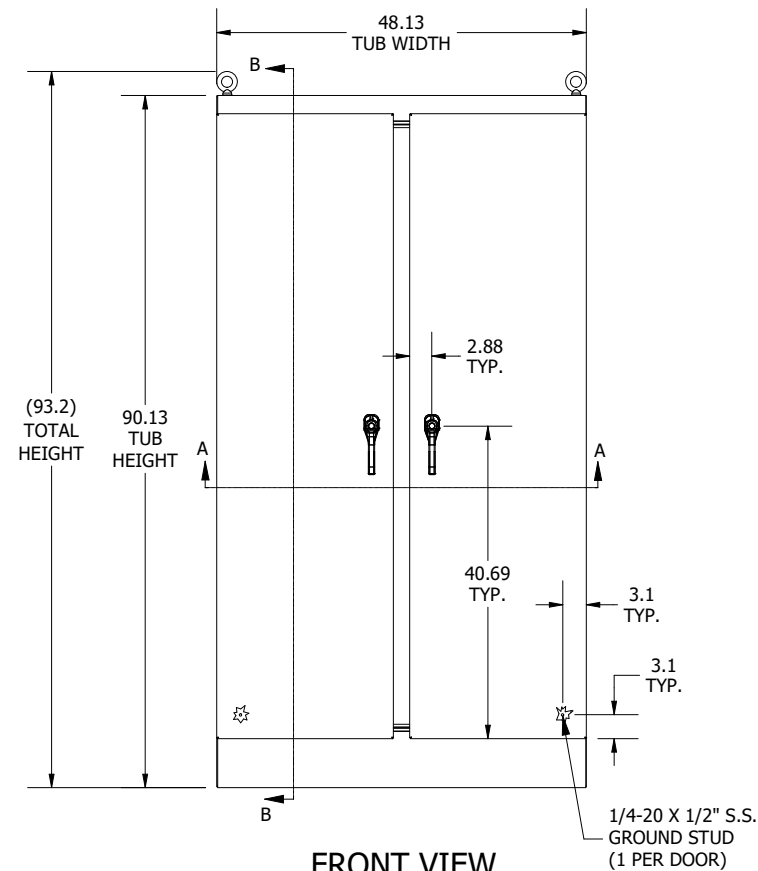




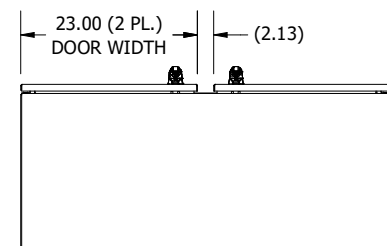
TOP VIEW



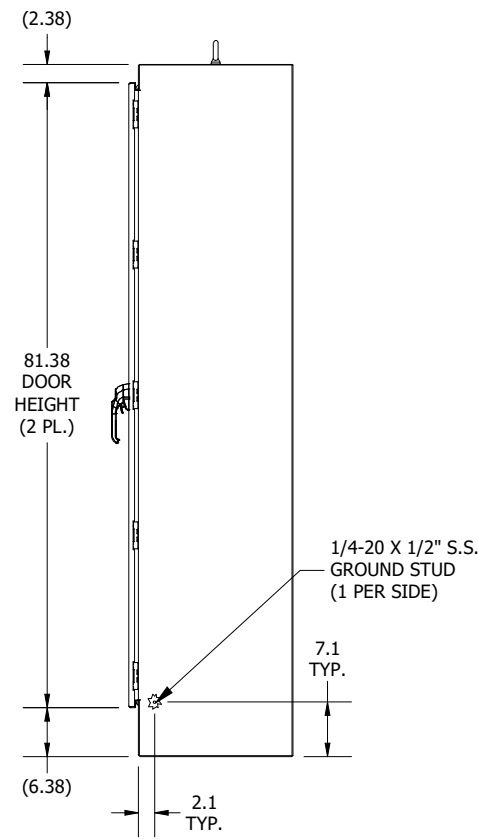
LEFT SIDE VIEW



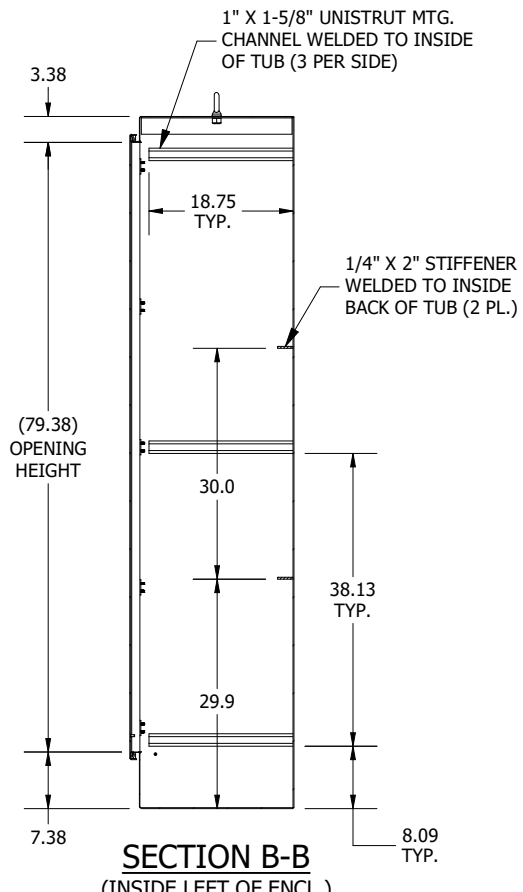
FRONT VIEW



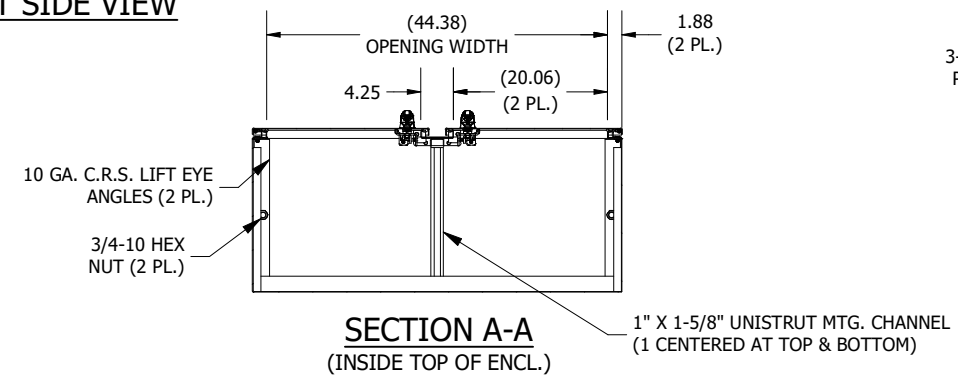
BOTTOM VIEW



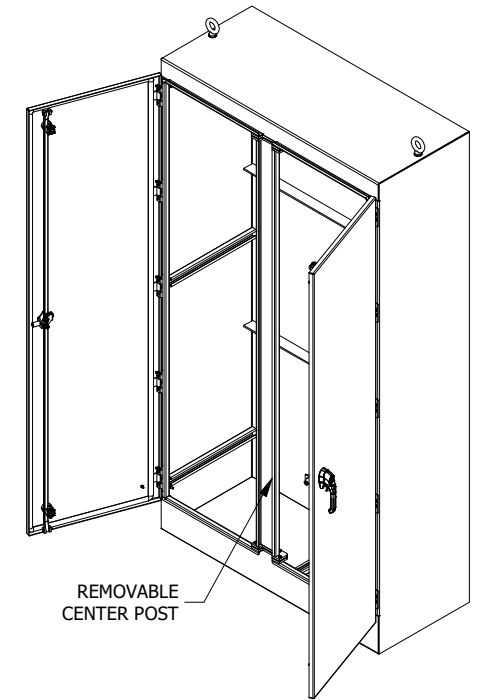
RIGHT SIDE VIEW



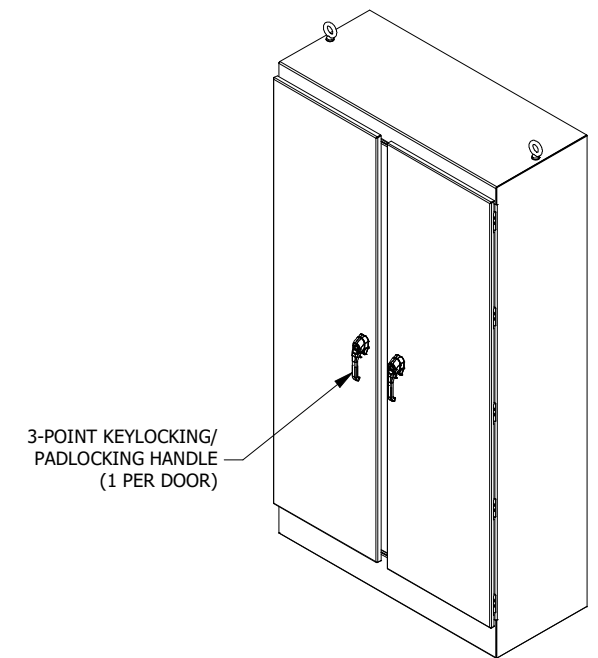
**SECTION B-B
(INSIDE LEFT OF ENCL.)**



**SECTION A-A
(INSIDE TOP OF ENCL.)**



**REMOVABLE
CENTER POST**



**3-POINT KEYLOCKING/
PADLOCKING HANDLE
(1 PER DOOR)**

**PART #:WRD904820FSD4
(DATA SUBJECT TO CHANGE WITHOUT NOTICE)
THIS DRAWING IS THE PROPERTY OF HUBBELL INC. WIEGMANN
ALL INFORMATION IS PROPRIETARY AND NOT TO BE DUPLICATED**