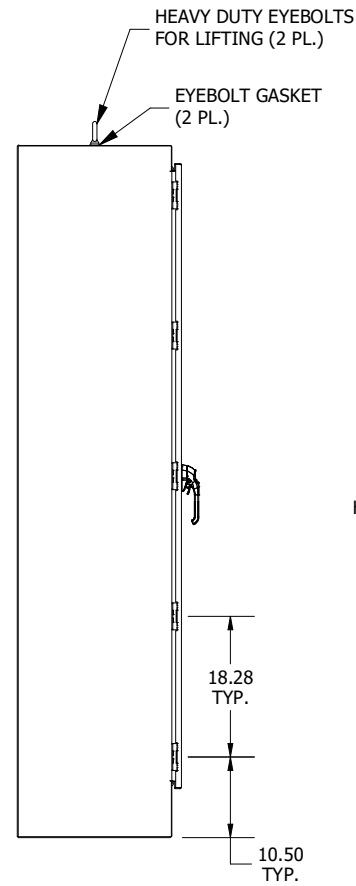
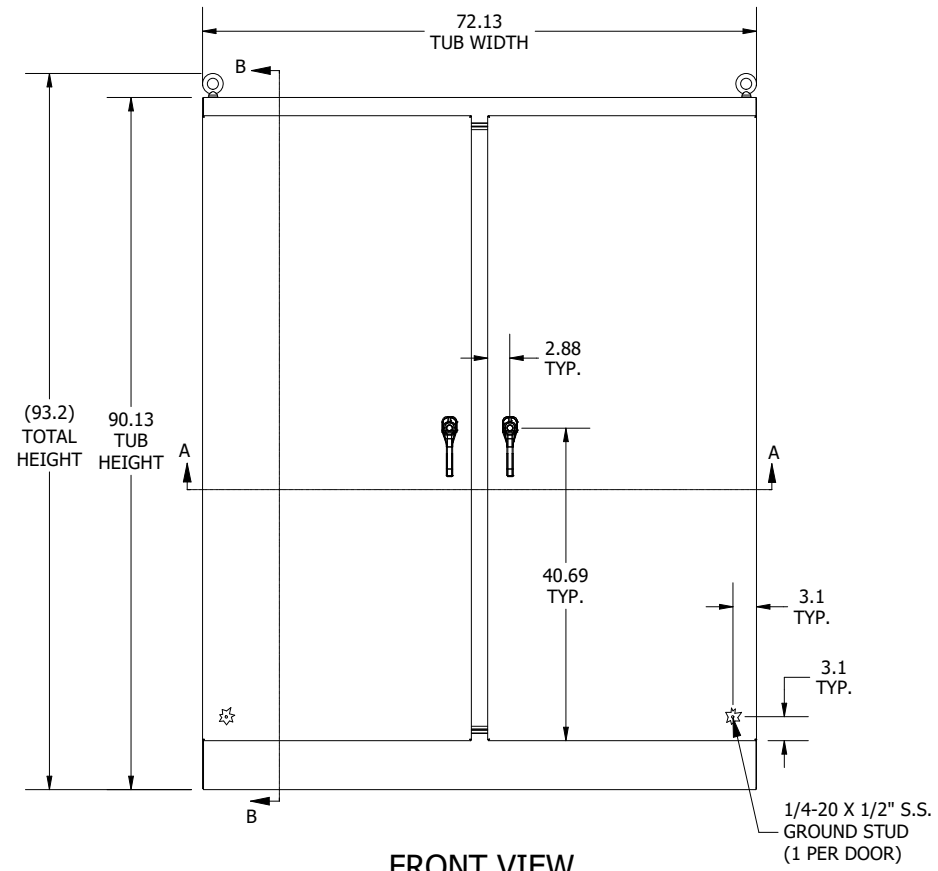


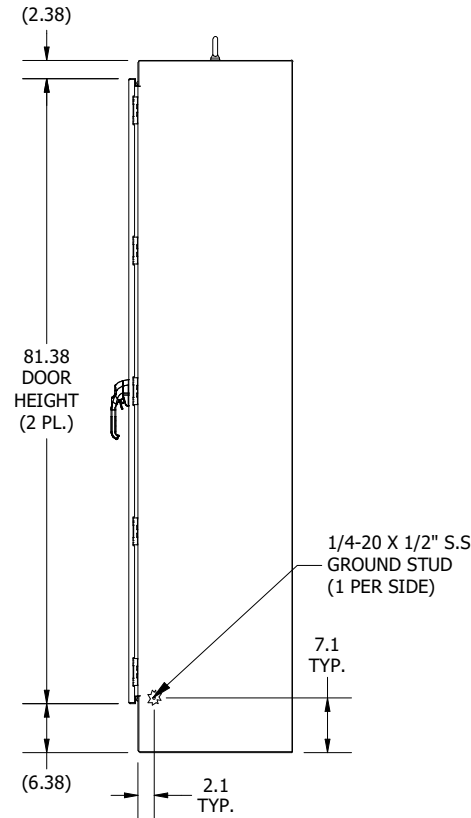
TOP VIEW



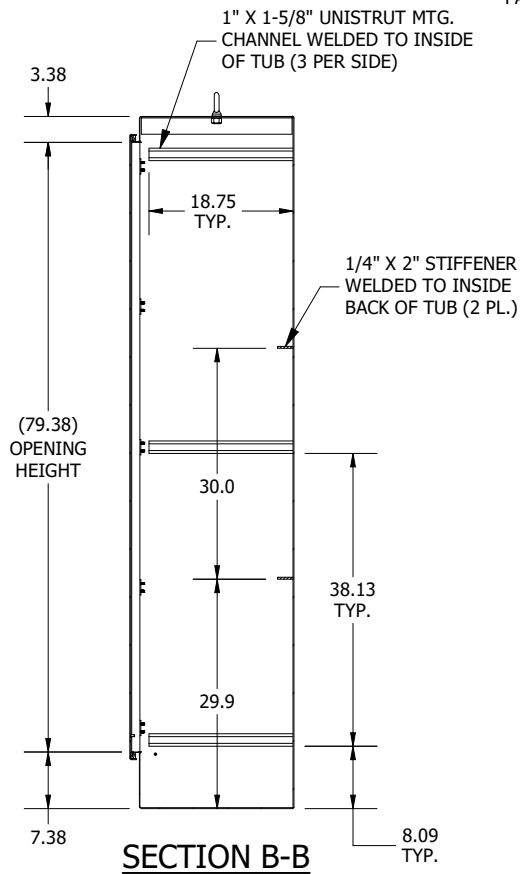
LEFT SIDE VIEW



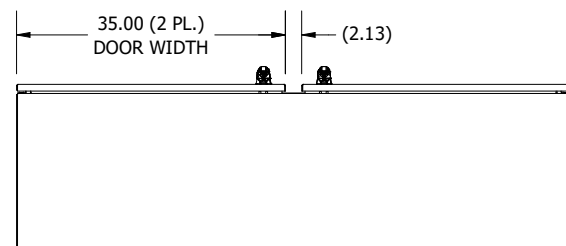
FRONT VIEW



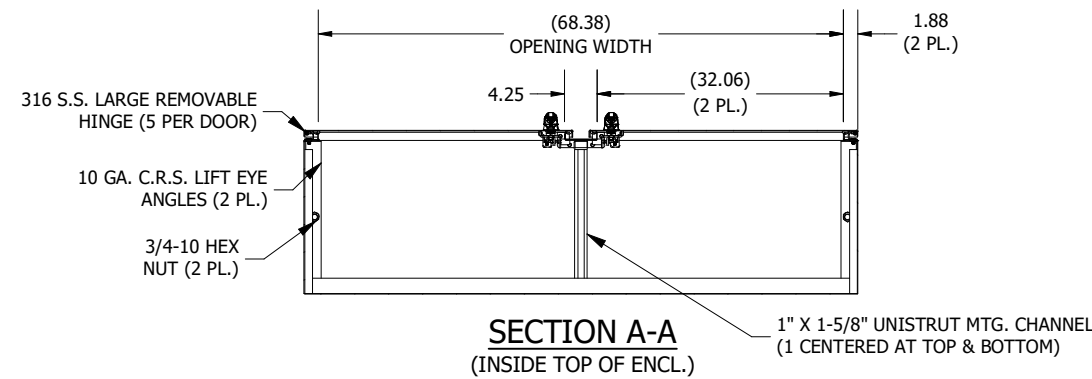
RIGHT SIDE VIEW



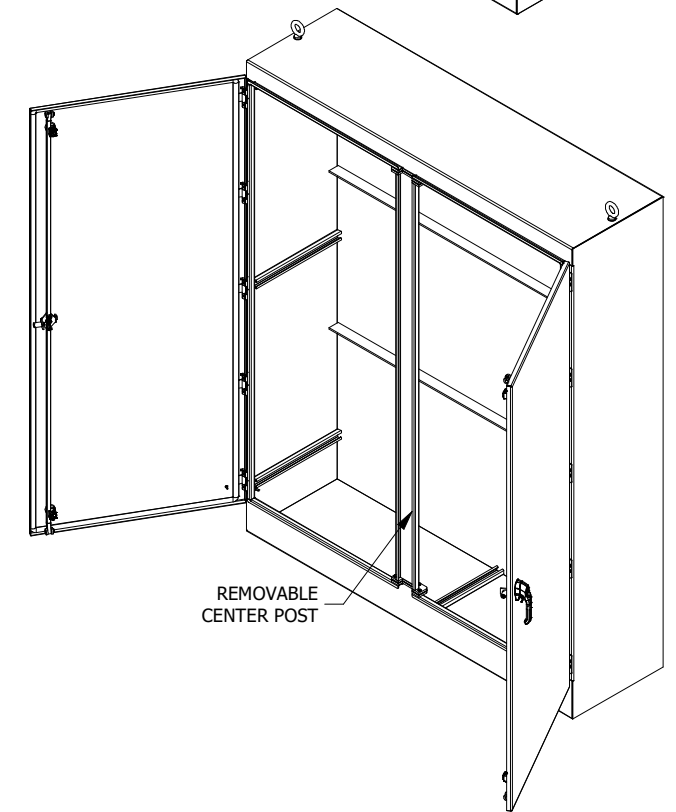
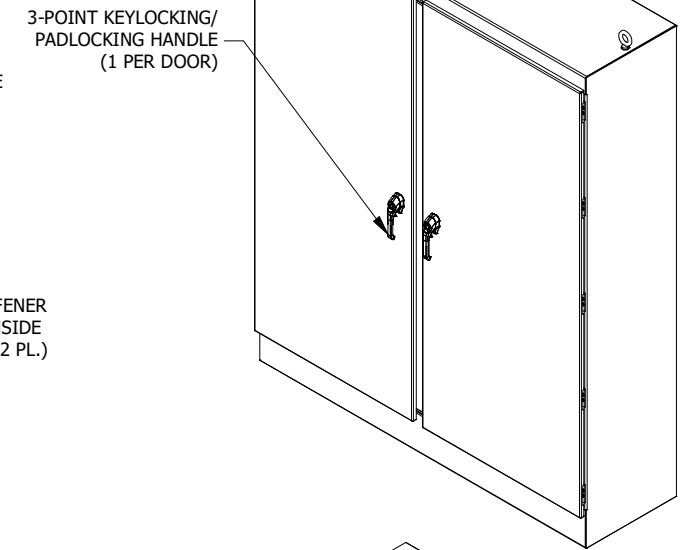
**SECTION B-B
(INSIDE LEFT OF ENCL.)**



BOTTOM VIEW



**SECTION A-A
(INSIDE TOP OF ENCL.)**



PART #:WRD907220FSD4

(DATA SUBJECT TO CHANGE WITHOUT NOTICE)

**THIS DRAWING IS THE PROPERTY OF HUBBELL INC. WIEGMANN
ALL INFORMATION IS PROPRIETARY AND NOT TO BE DUPLICATED**