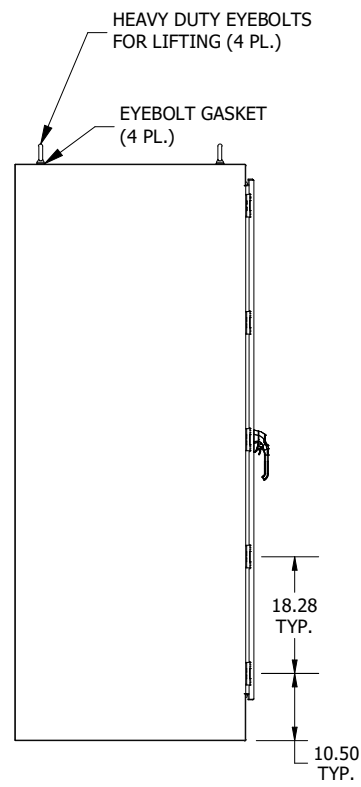
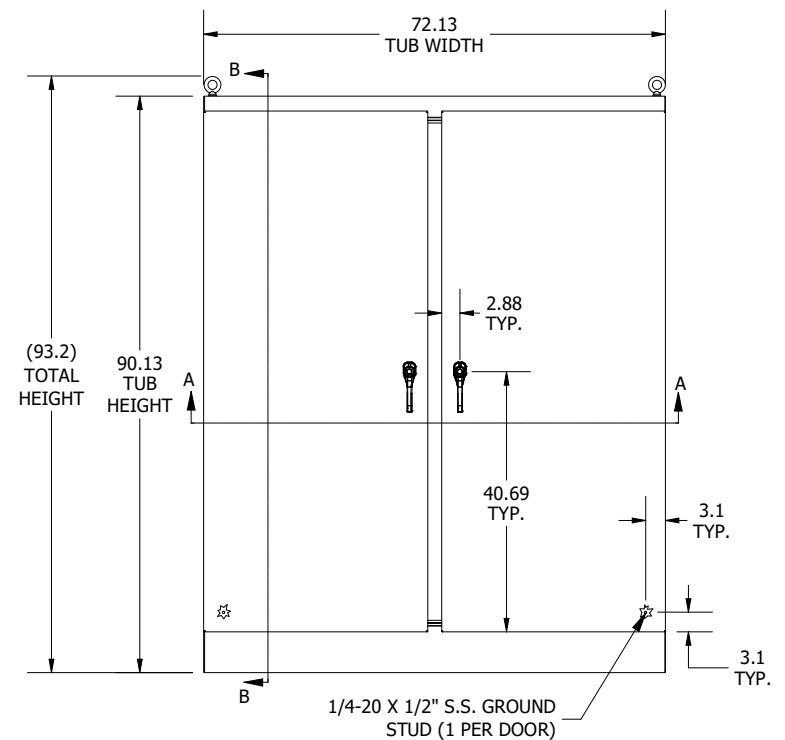


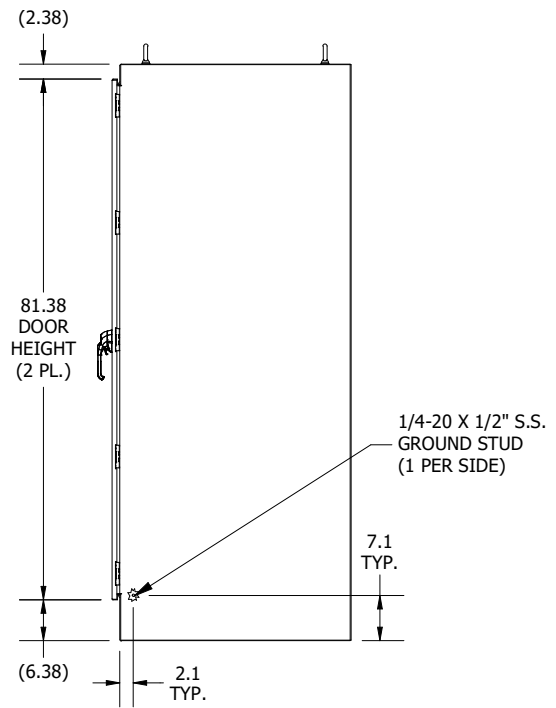
TOP VIEW



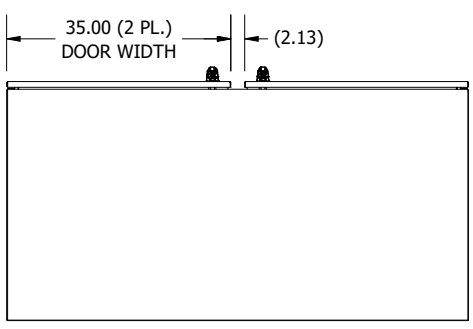
LEFT SIDE VIEW



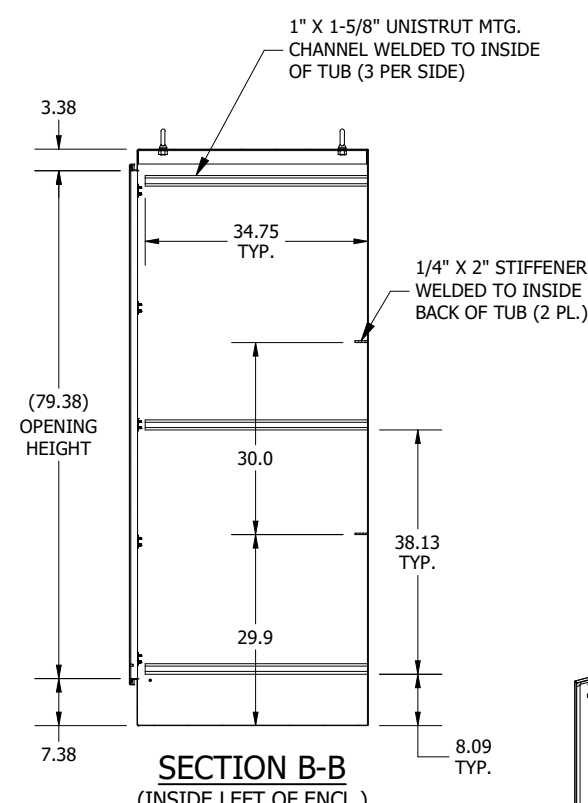
FRONT VIEW



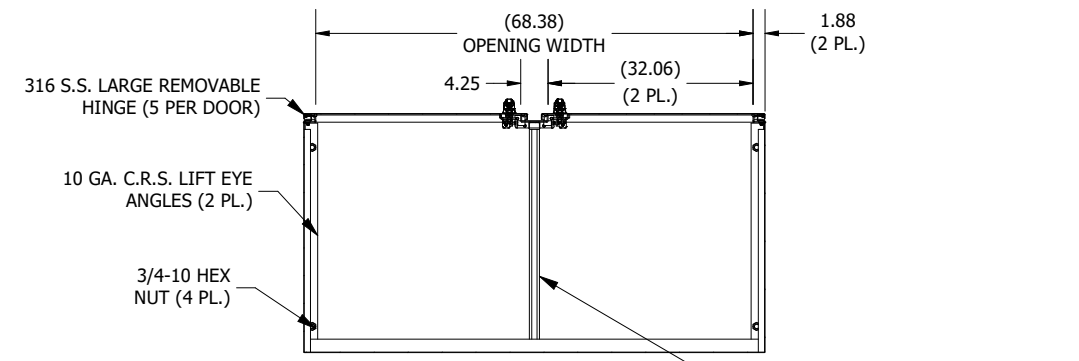
RIGHT SIDE VIEW



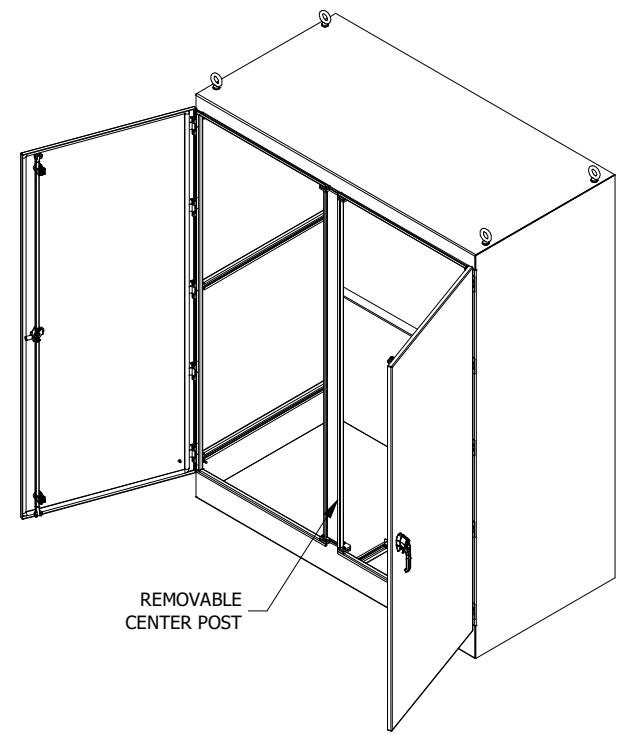
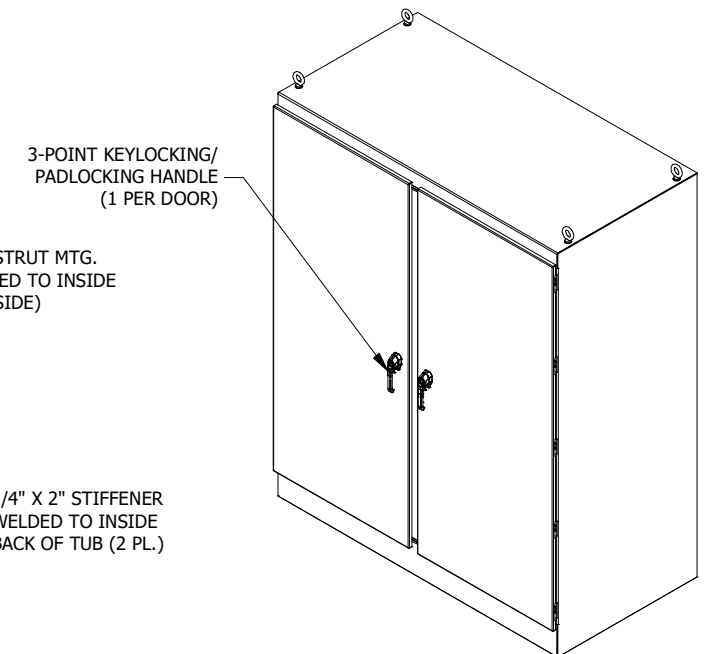
BOTTOM VIEW



**SECTION B-B
(INSIDE LEFT OF ENCL.)**



**SECTION A-A
(INSIDE TOP OF ENCL.)**



PART #:WRD907236FSD4
 (DATA SUBJECT TO CHANGE WITHOUT NOTICE)
 THIS DRAWING IS THE PROPERTY OF HUBBELL INC. WIEGMANN
 ALL INFORMATION IS PROPRIETARY AND NOT TO BE DUPLICATED