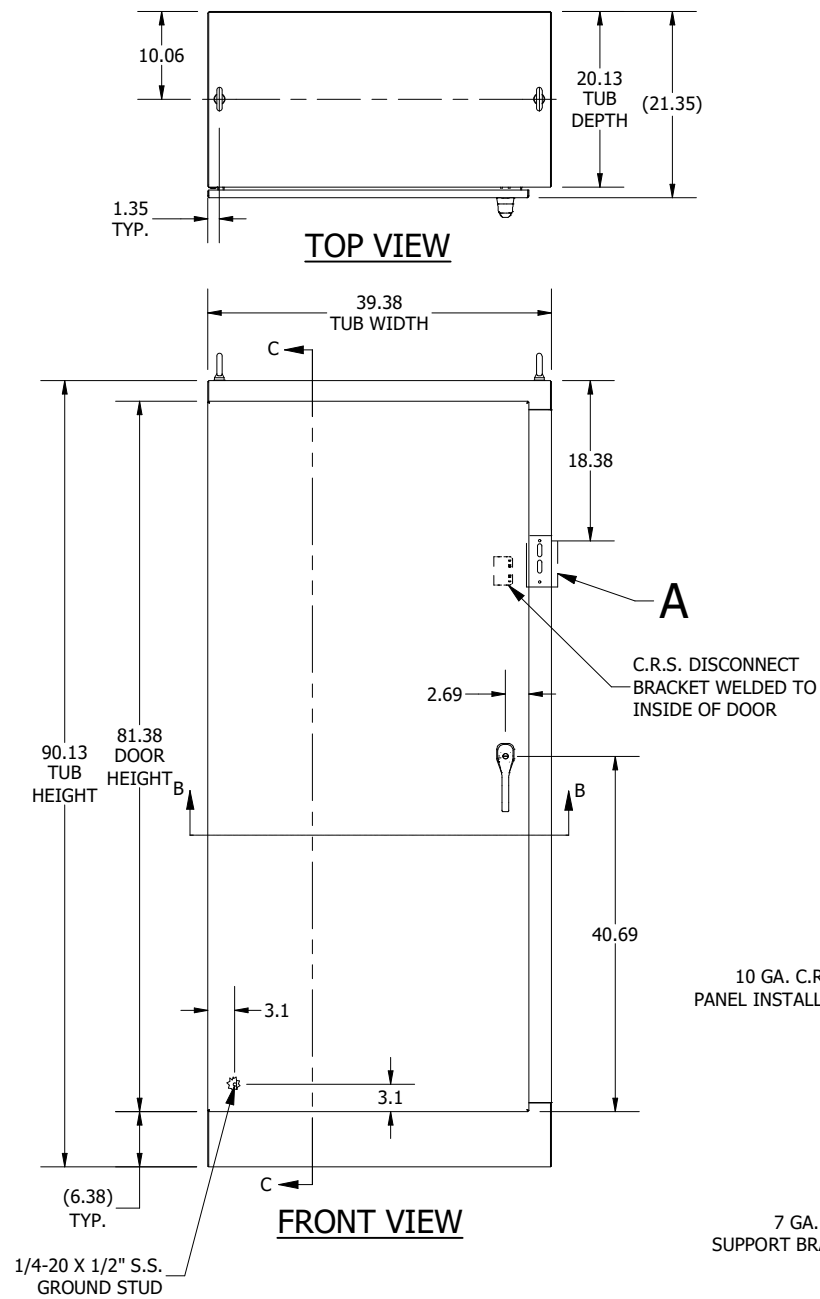
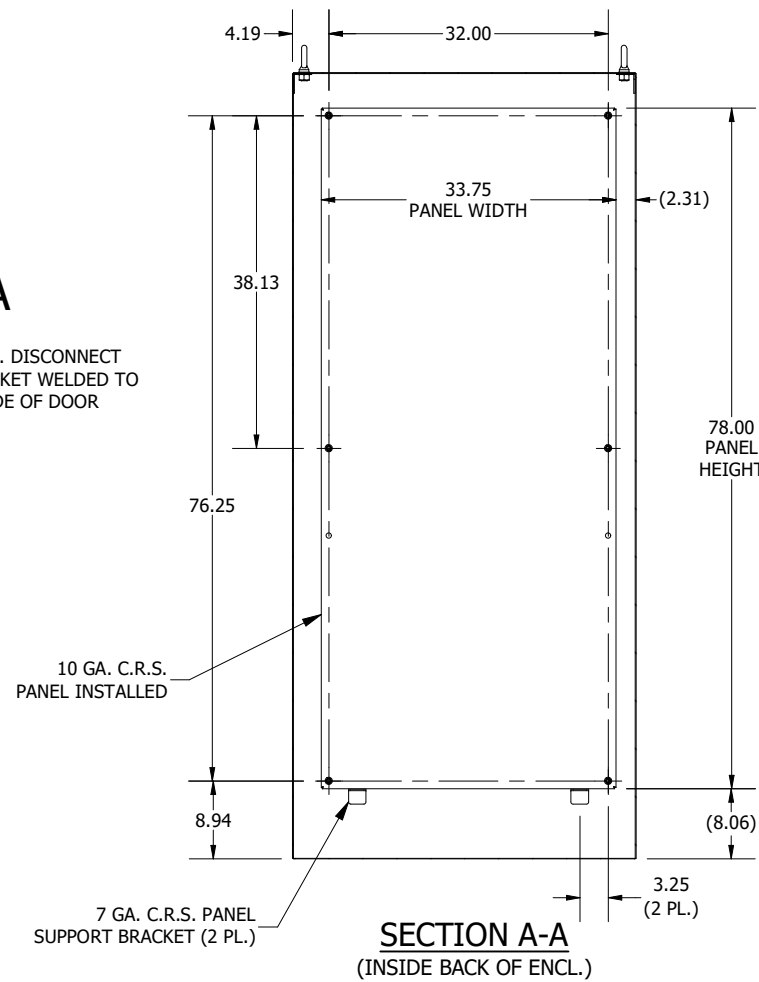


LEFT SIDE VIEW

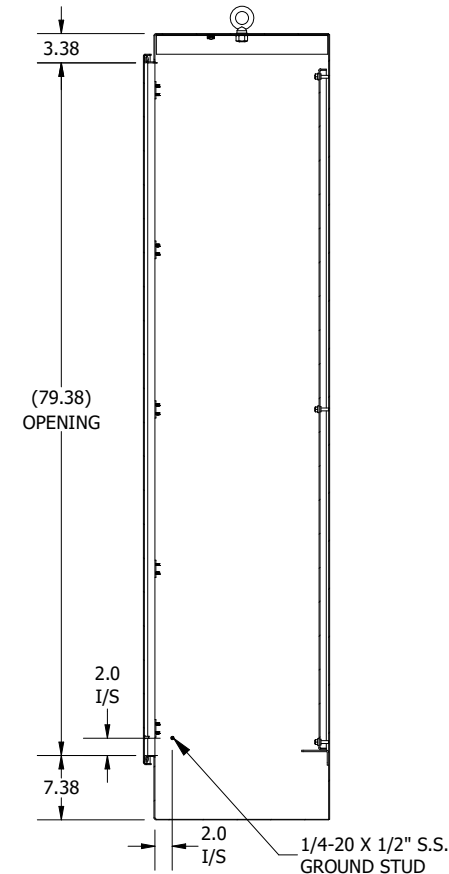


TOP VIEW

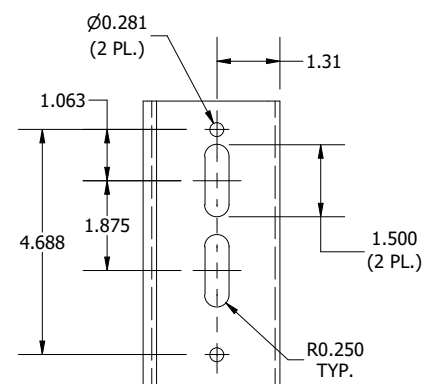
FRONT VIEW



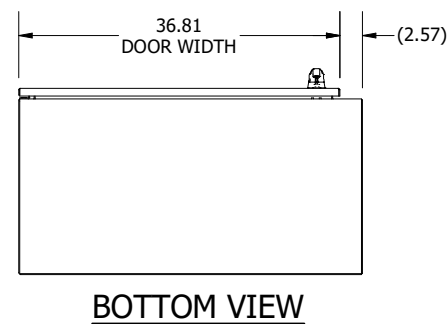
SECTION A-A
(INSIDE BACK OF ENCL.)



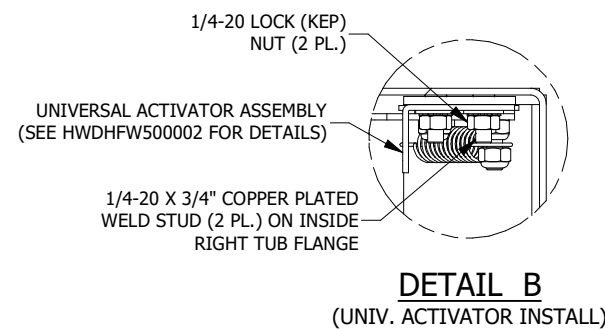
SECTION C-C
(INSIDE LEFT OF ENCL.)



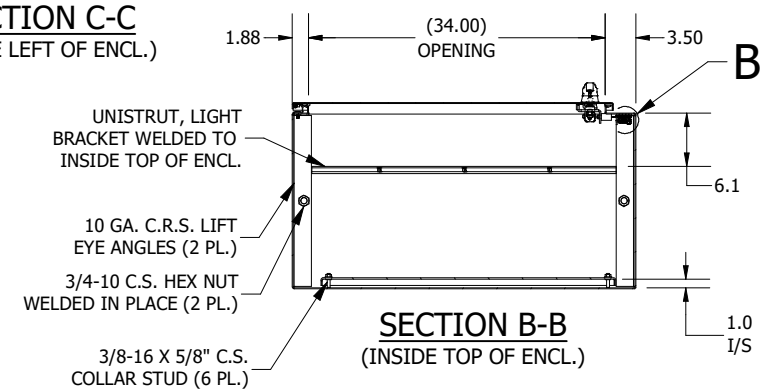
DETAIL A
(DISCONNECT CUTOUT DETAIL)



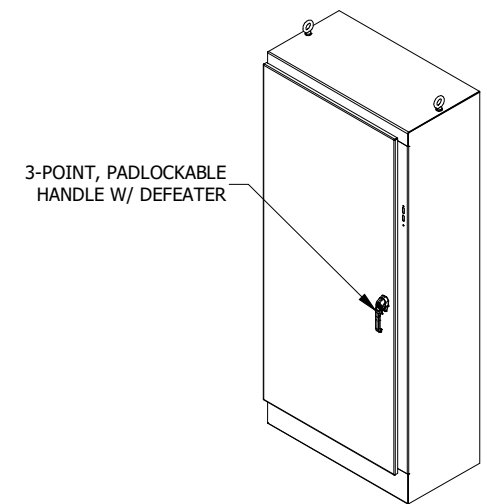
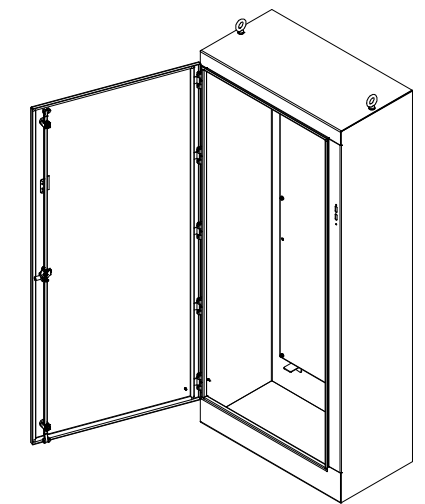
BOTTOM VIEW



DETAIL B
(UNIV. ACTIVATOR INSTALL)



SECTION B-B
(INSIDE TOP OF ENCL.)



PART #:WRD90XM3920FS4

(DATA SUBJECT TO CHANGE WITHOUT NOTICE)

THIS DRAWING IS THE PROPERTY OF HUBBELL INC. WIEGMANN

ALL INFORMATION IS PROPRIETARY AND NOT TO BE DUPLICATED