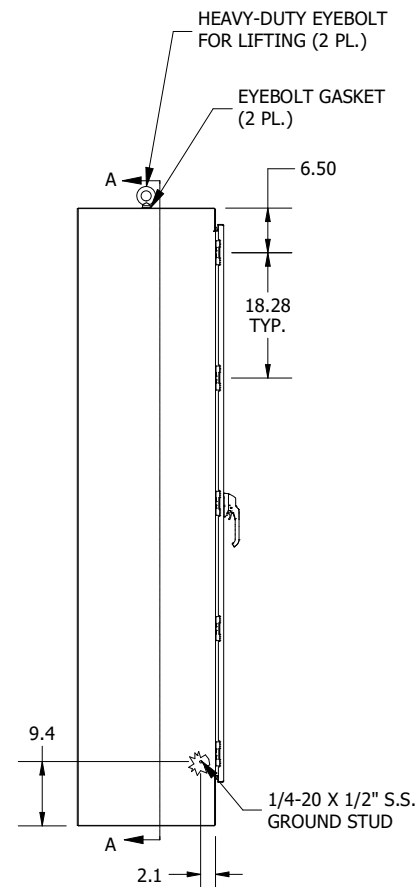
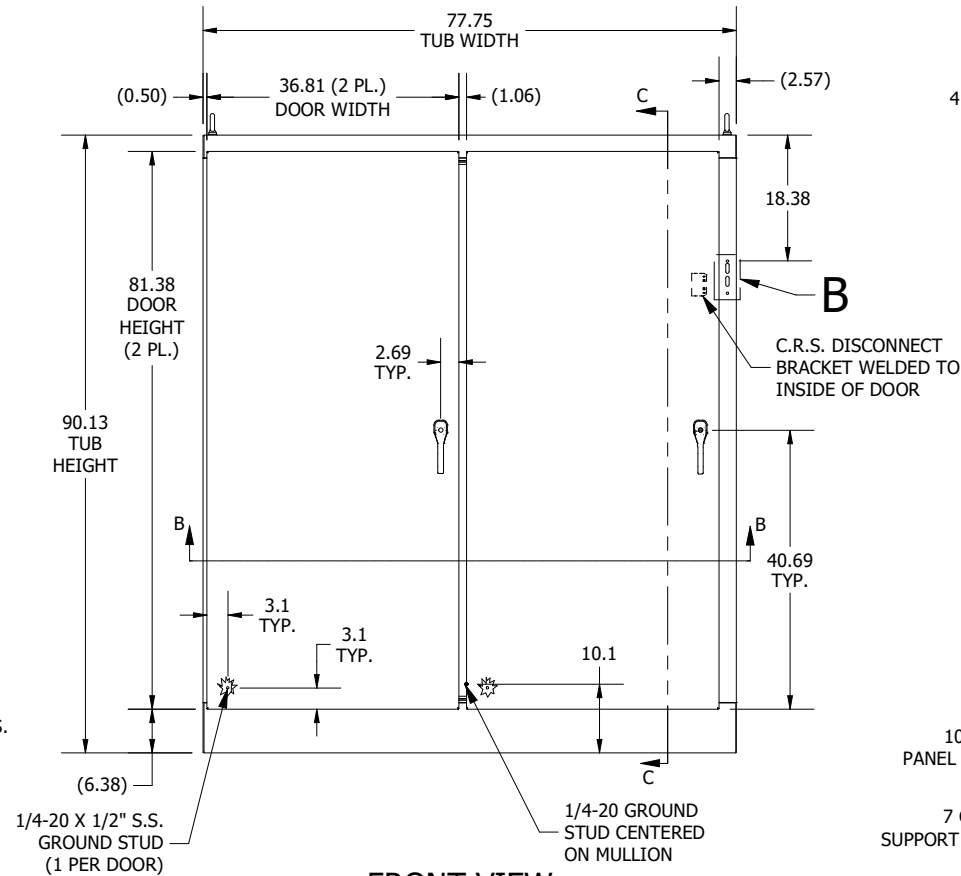


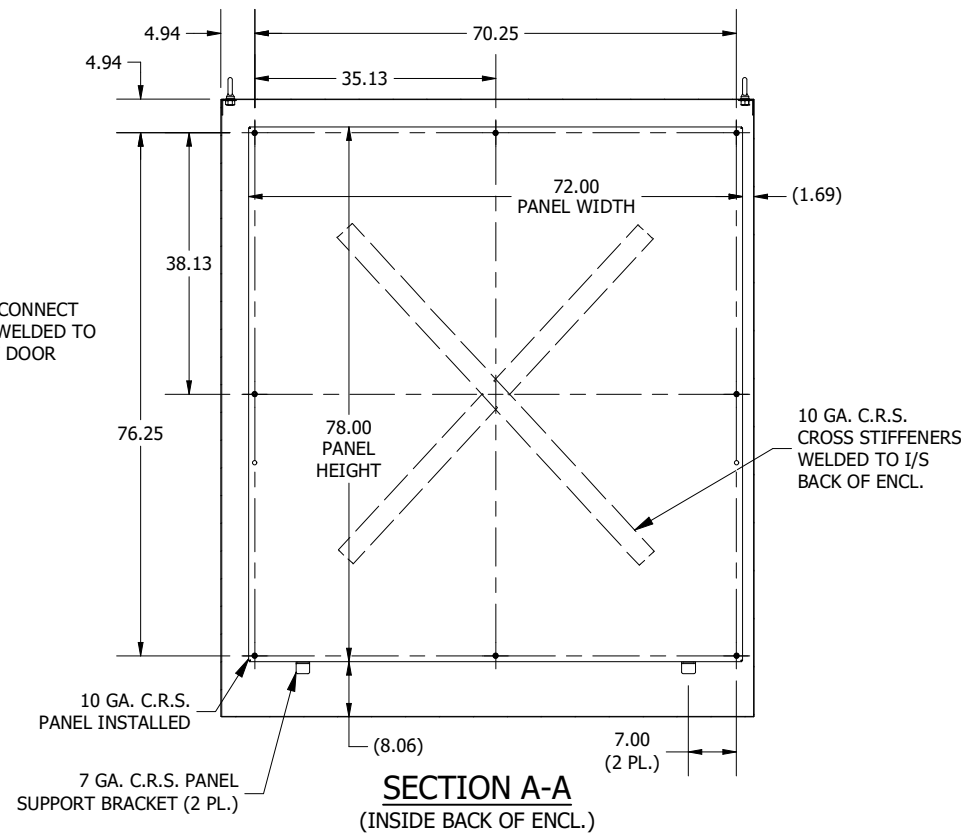
**TOP VIEW**



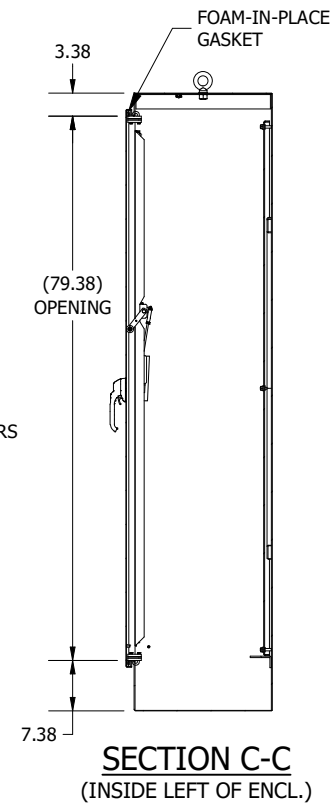
**LEFT SIDE VIEW**



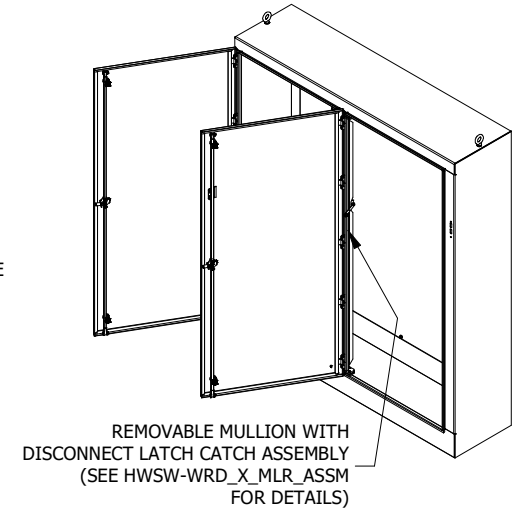
**FRONT VIEW**



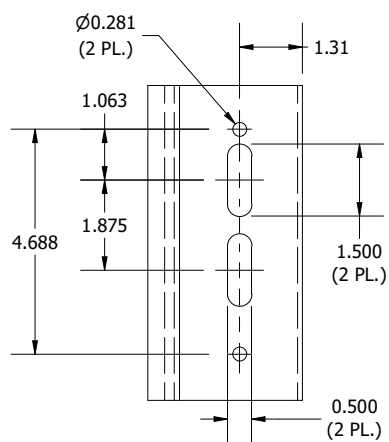
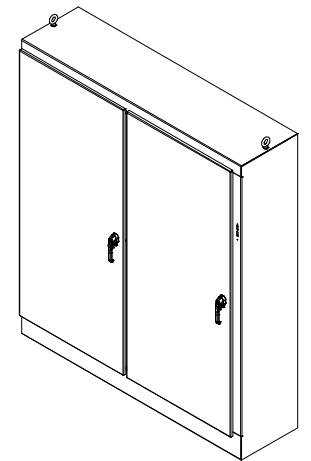
**SECTION A-A  
(INSIDE BACK OF ENCL.)**



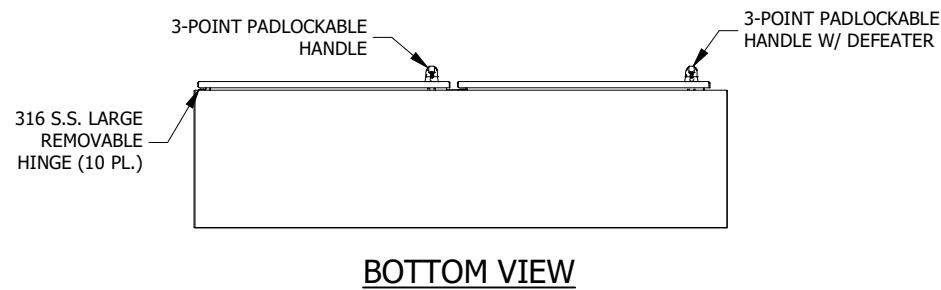
**SECTION C-C  
(INSIDE LEFT OF ENCL.)**



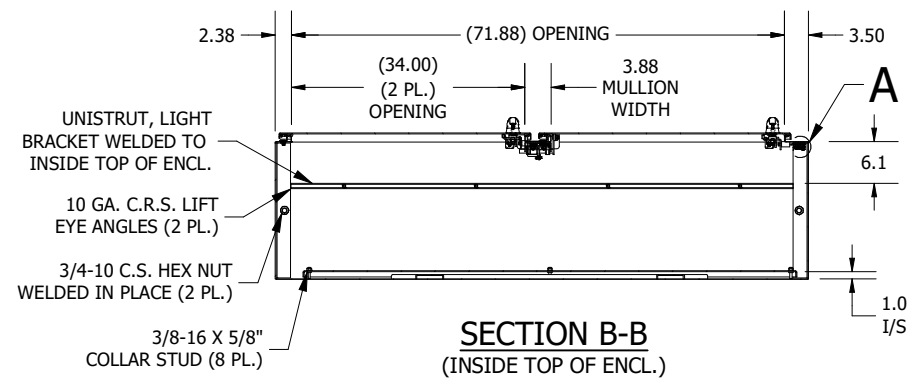
REMOVABLE MULLION WITH  
DISCONNECT LATCH CATCH ASSEMBLY  
(SEE HWSW-WRD\_X\_MLR\_ASSM  
FOR DETAILS)



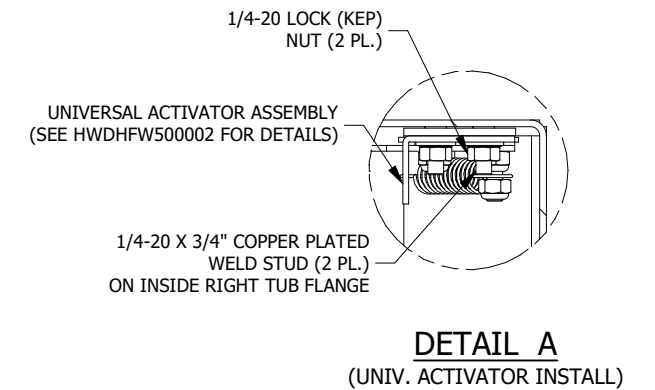
**DETAIL B  
(DISCONNECT CUTOUT DETAIL)**



**BOTTOM VIEW**



**SECTION B-B  
(INSIDE TOP OF ENCL.)**



**DETAIL A  
(UNIV. ACTIVATOR INSTALL)**

**PART #:WRD90XM7720FSD4**

**(DATA SUBJECT TO CHANGE WITHOUT NOTICE)**

**THIS DRAWING IS THE PROPERTY OF HUBBELL INC. WIEGMANN  
ALL INFORMATION IS PROPRIETARY AND NOT TO BE DUPLICATED**