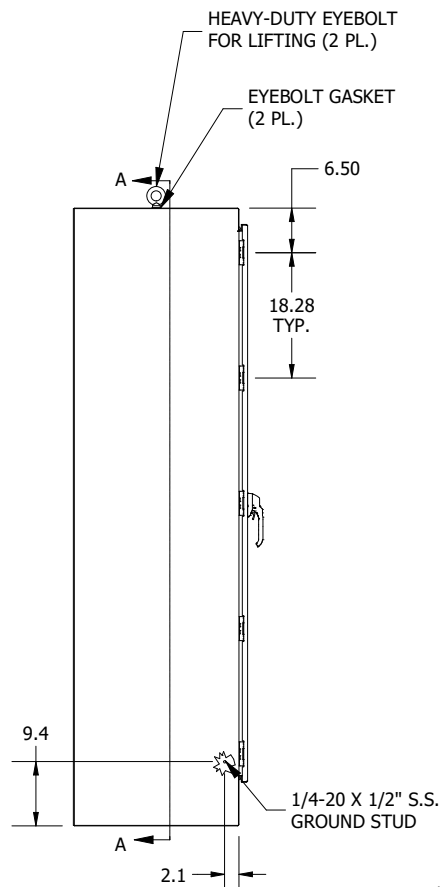
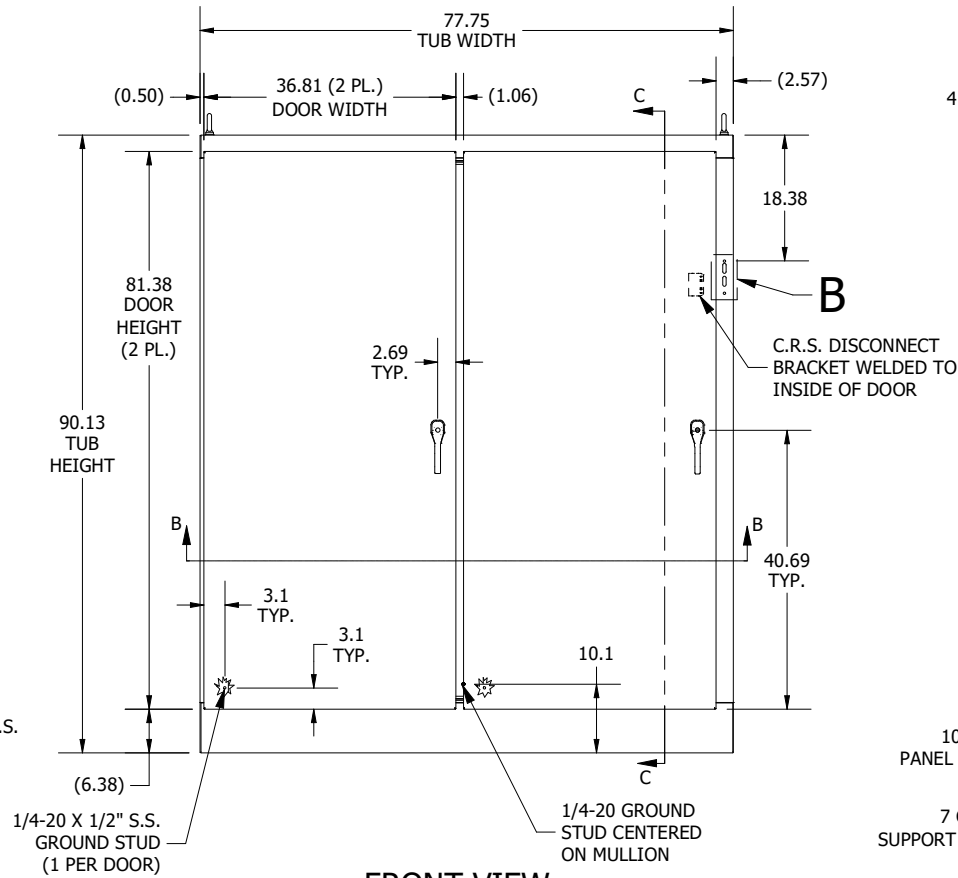


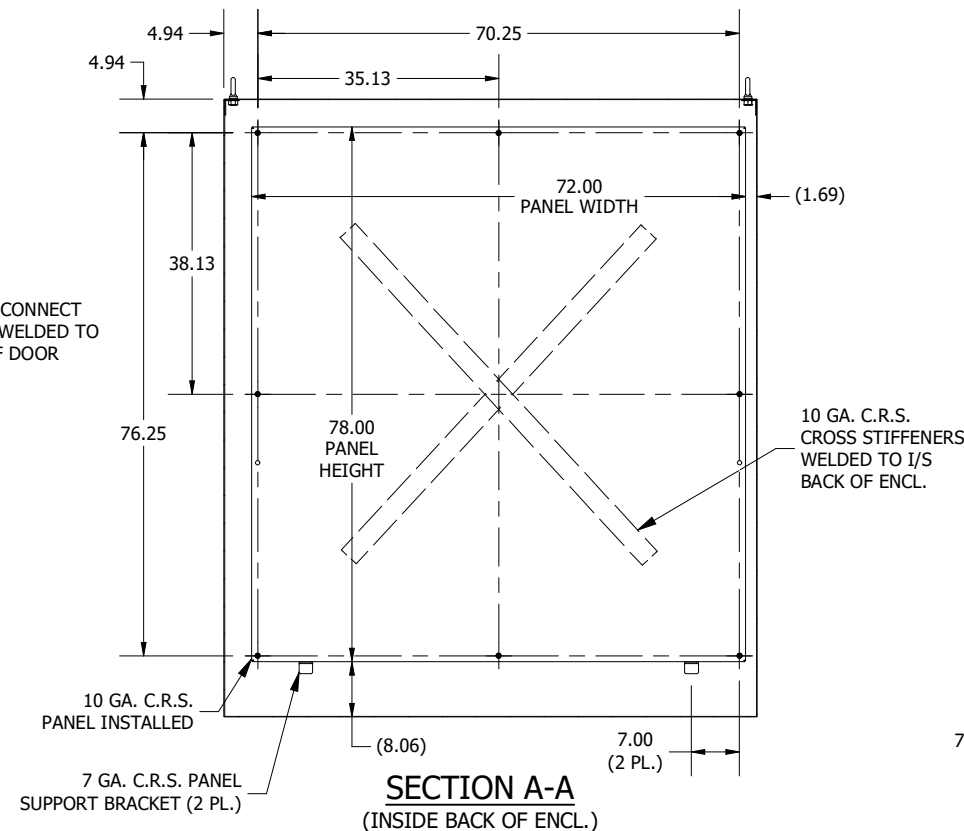
TOP VIEW



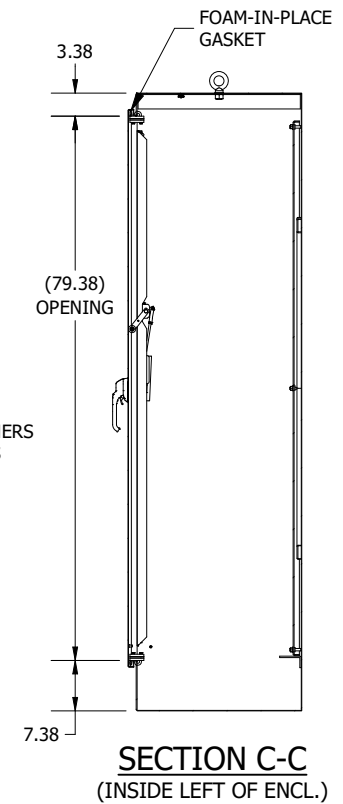
LEFT SIDE VIEW



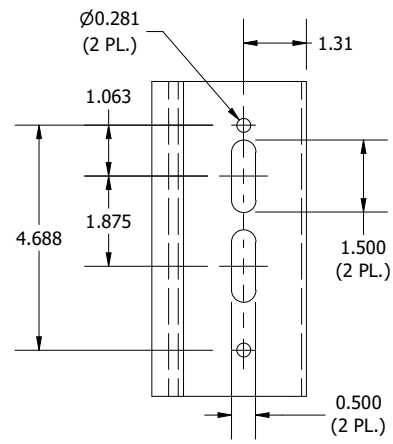
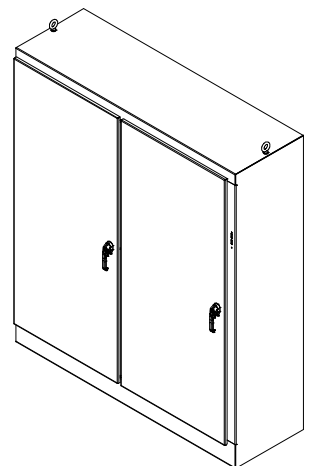
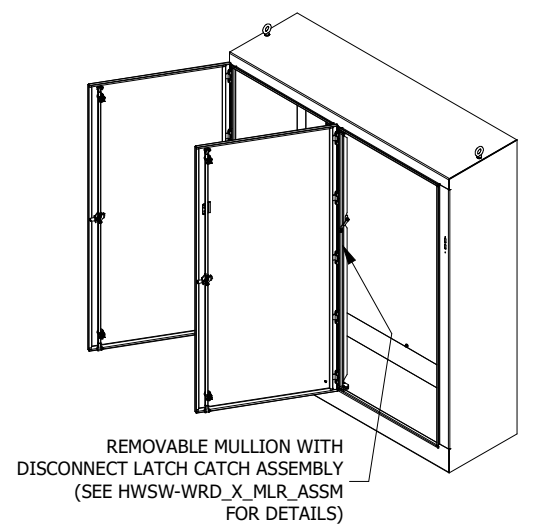
FRONT VIEW



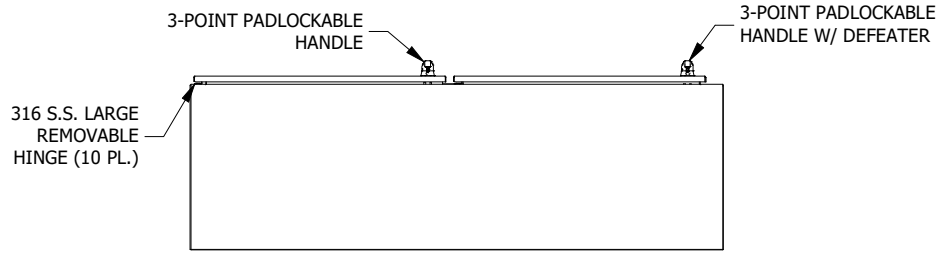
SECTION A-A (INSIDE BACK OF ENCL.)



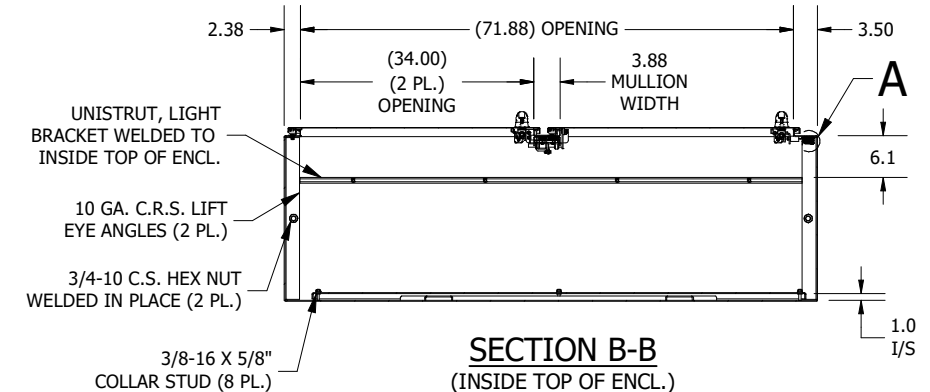
SECTION C-C (INSIDE LEFT OF ENCL.)



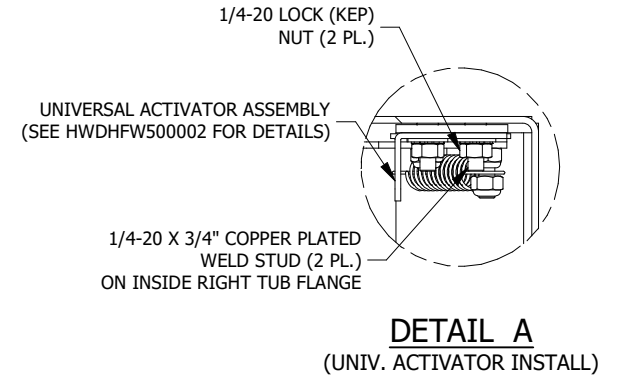
DETAIL B (DISCONNECT CUTOUT DETAIL)



BOTTOM VIEW



SECTION B-B (INSIDE TOP OF ENCL.)



DETAIL A (UNIV. ACTIVATOR INSTALL)

PART #:WRD90XM7724FSD4

(DATA SUBJECT TO CHANGE WITHOUT NOTICE)

THIS DRAWING IS THE PROPERTY OF HUBBELL INC. WIEGMANN

ALL INFORMATION IS PROPRIETARY AND NOT TO BE DUPLICATED