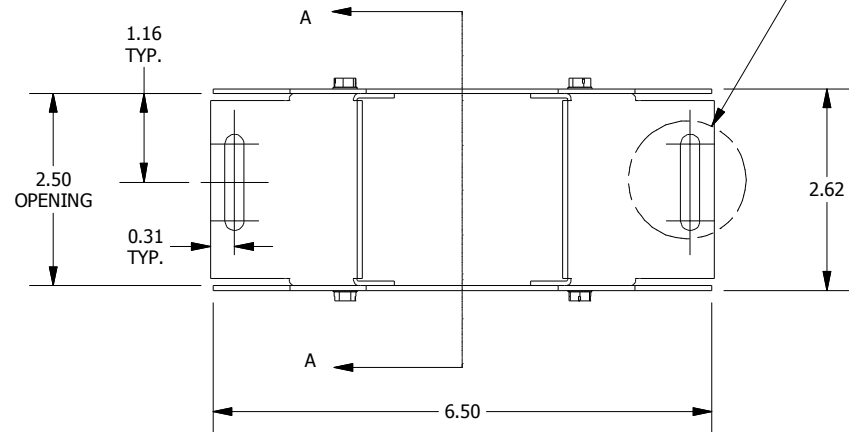
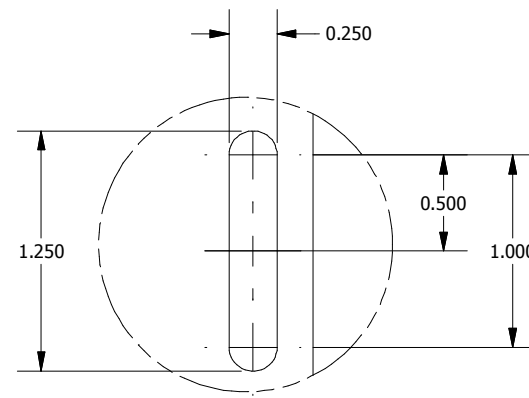


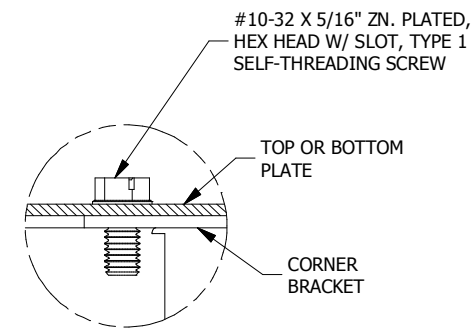
TOP VIEW



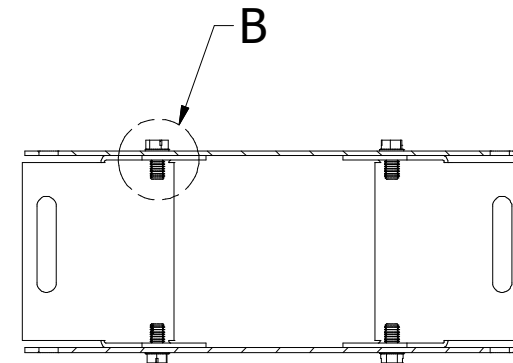
FRONT VIEW



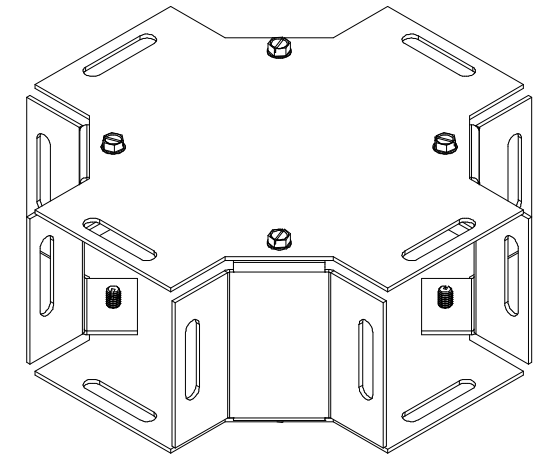
DETAIL A (16 PL.)  
(SLOT DETAIL)



DETAIL B (8 PL.)  
(ASSM. DETAIL)



SECTION A-A  
(INSIDE VIEW OF SIDE)



PART#: X0202  
(DATA SUBJECT TO CHANGE WITHOUT NOTICE)

THIS DRAWING IS PROPERTY OF HUBBELL INC. WIEGMANN  
ALL INFORMATION IS PROPRIETARY AND NOT TO BE DUPLICATED