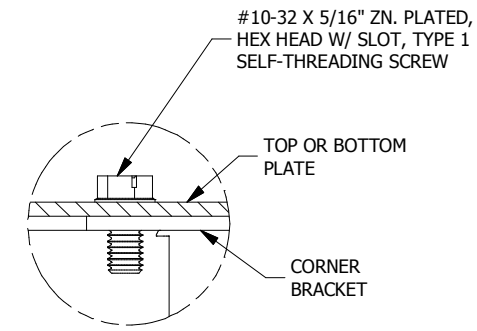
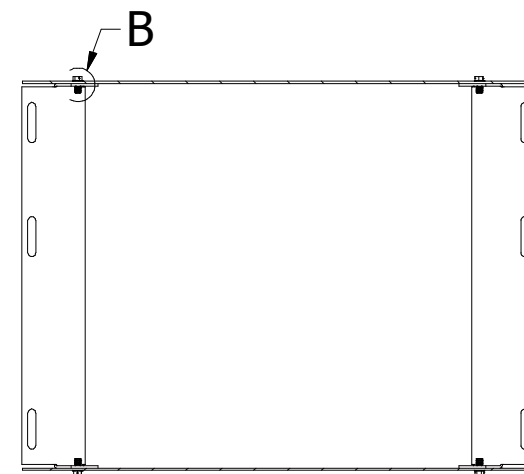
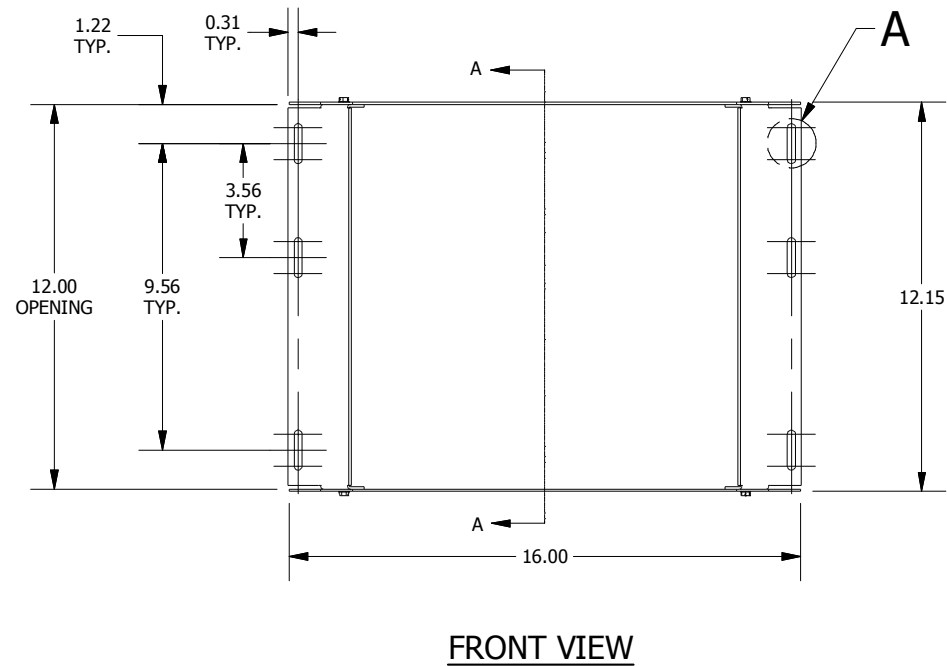
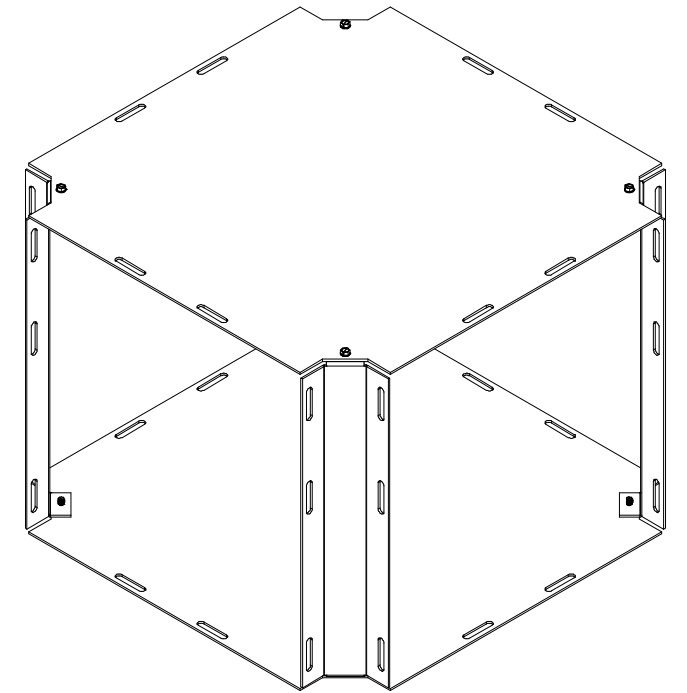


**DETAIL A (40 PL.)  
(SLOT DETAIL)**



**DETAIL B (8 PL.)  
(ASSM. DETAIL)**



**SECTION A-A  
(INSIDE VIEW OF SIDE)**

PART#: X1212  
(DATA SUBJECT TO CHANGE WITHOUT NOTICE)

THIS DRAWING IS PROPERTY OF HUBBELL INC. WIEGMANN  
ALL INFORMATION IS PROPRIETARY AND NOT TO BE DUPLICATED