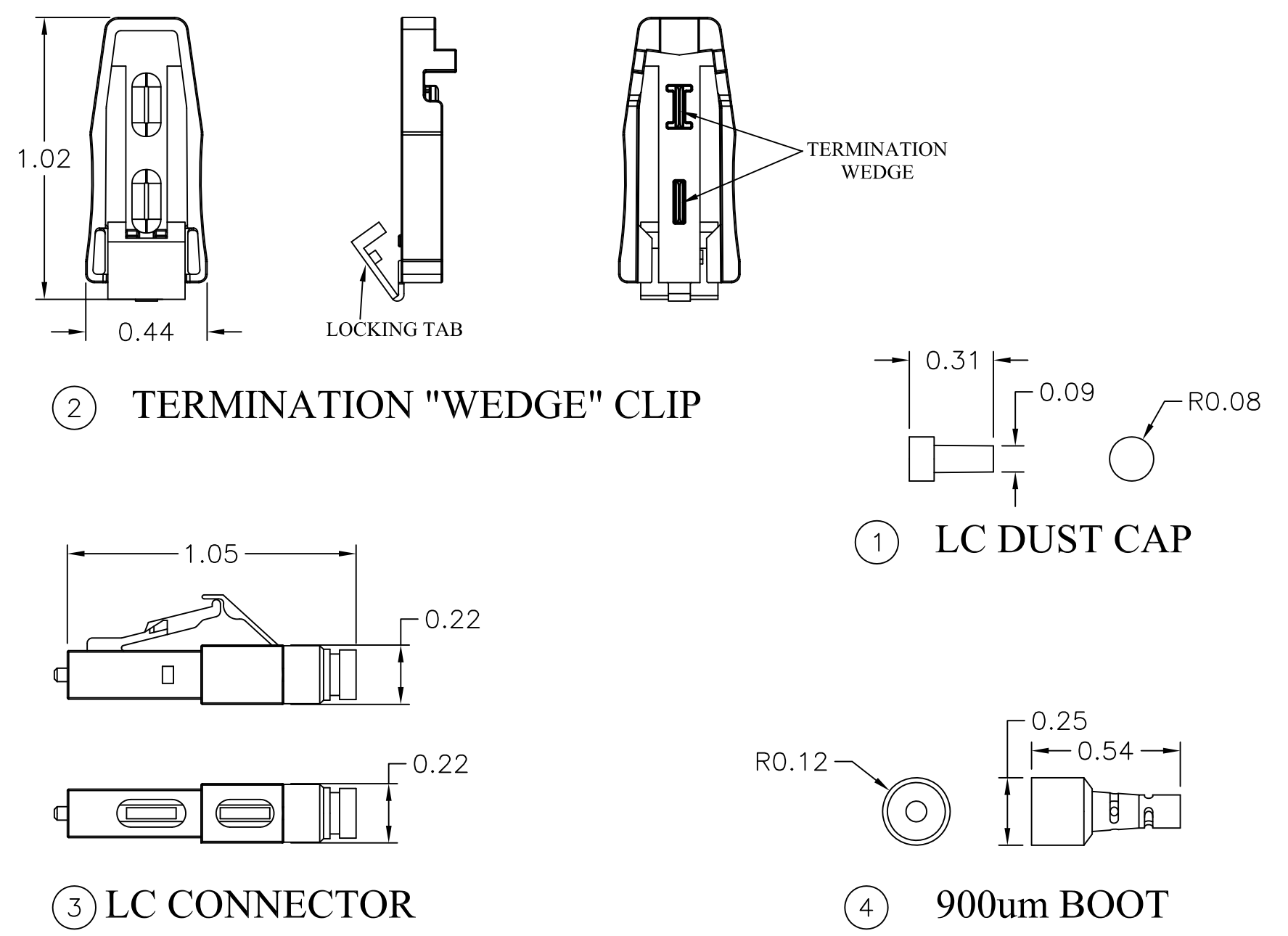
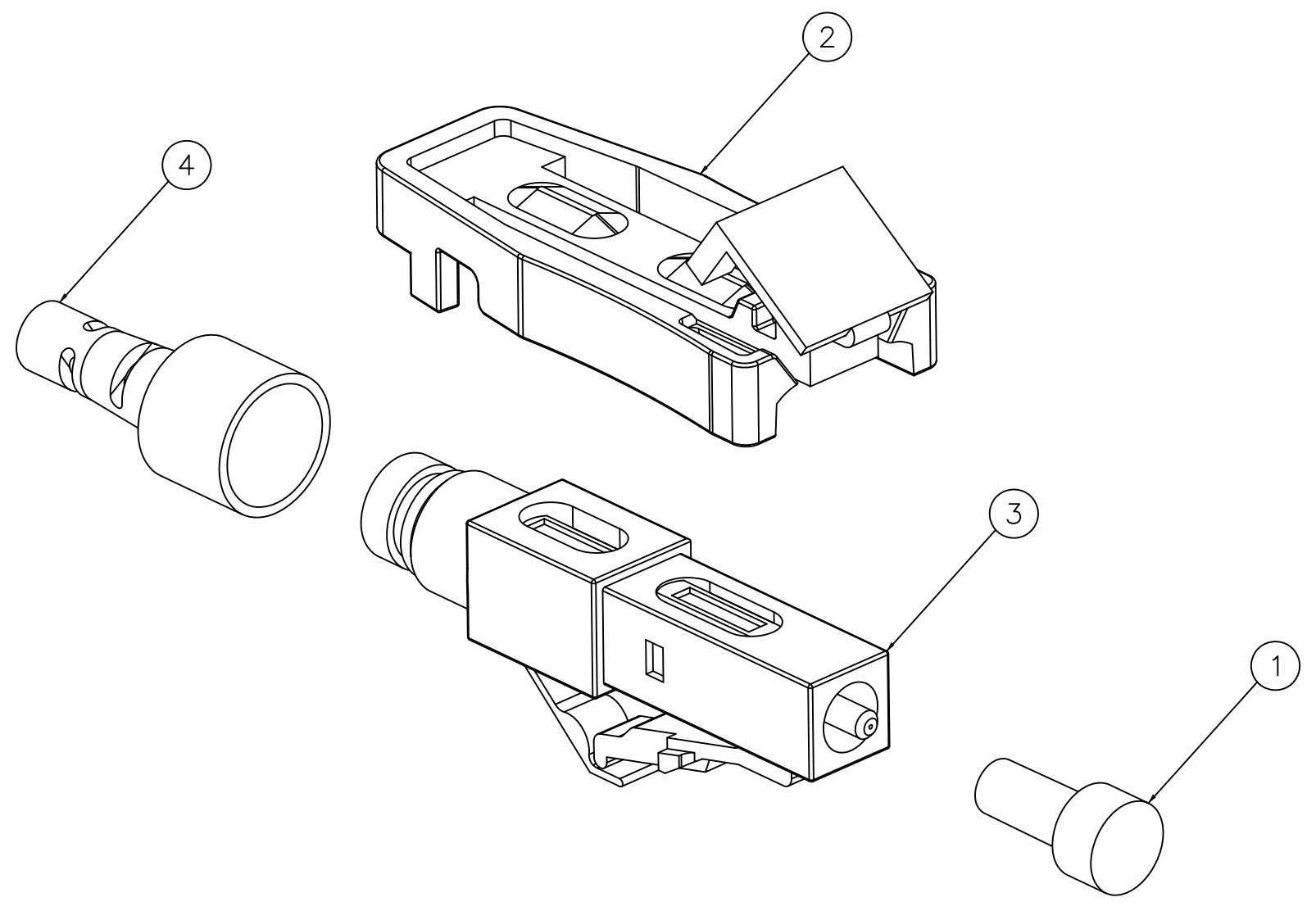



ITEM NO.	DESCRIPTION	QTY.
1	DUST CAP	1
2	TERMINATION "WEDGE" CLIP	1
3	LC CONNECTOR BODY	1
4	STRAIN RELIEF BOOT 900um BLACK	1

CATALOG NUMBER	COLOR	DESCRIPTION
FCLC900K62M12	BEIGE	CONN, LC PRE-POLISHED, 62.5/125 MM, 12PK
FCLC900K50M12	BLACK	CONN, LC PRE-POLISHED, 50/125 MM, 12PK
FCLC900K50GM12	AQUA	CONN, LC PRE-POLISHED, 50/125 LOMMF, 12PK
FCLC900KSM12	BLUE	CONN, LC PRE-POLISHED, 9/125 PC SM, 12PK
FCLC900K50GM100	AQUA	CONN, LC PRE-POLISHED, 50/125 LOMMF, 100PK
FCLC900K50M100	BLACK	CONN, LC PRE-POLISHED, 50/125 MM, 100PK
FCLC900K62M100	BEIGE	CONN, LC PRE-POLISHED, 62.5/125 MM, 100PK
FCLC900KSM100	BLUE	CONN, LC PRE-POLISHED, 9/125 SM, 100PK



- NOTES:
- CONNECTOR IS PRE-POLISHED AND DOES NOT REQUIRE ANY ADHESIVES OR EXPENSIVE TERMINATION TOOLS.
 - CONNECTOR TERMINATES EASILY ON 900um BUFFERED FIBER.
 - CONNECTOR IS TIA/EIA-568 COMPLIANT.
 - CONNECTOR USES A PC RADIUS TIP ZIRCONIA CERAMIC FERRULE.
 - INSERTION LOSS < 0.5dB
 - EACH CONNECTOR IS INDIVIDUALLY PACKAGED WITH DUST CAP AND TERMINATION CLIP INSTALLED.
 - SPECIFICATIONS SUBJECT TO CHANGE WITHOUT PRIOR NOTICE.

REV.	ECN	DATE	DESCRIPTION	CHG BY	APPD BY
C	17143	9/30/11	ADDED ADDITIONAL LC 100 PACK CATALOGS	CG	

Created on AUTOCAD	DIMENSIONING AND TOLERANCE PER ANSI Y14.5M-1982 UNLESS OTHERWISE SPECIFIED, DIMENSIONS ARE IN INCHES (MM). TOLERANCES .XX = ±.01 (.25) .XXX = ±.005 (.127) .XXXX = ±.0025 (.0635) ANGLE TOL ±1°		PROJECT REFERENCE: 2005-031	 Hubbell Premise Wiring HUBBELL INCORPORATED (Delaware) 14 Lord's Hill Road, Stonington, Connecticut 06378
	IN ACCEPTING OUR DRAWINGS, BLUEPRINTS, OR SUPPORTING DOCUMENTATION FOR QUOTATION OR OTHER PURPOSES, YOU AGREE NOT TO DISCLOSE TO OTHERS THE IDEAS, INFORMATION, OR DESIGNS SHOWN HEREIN, AND THAT YOU WILL MAKE NO USE OF SAME WITHOUT PERMISSION		MATERIAL:	
			DRAWN BY: C. GRIBBLE 1/21/10	
			CHECKED BY:	
		APPROVED BY:	TITLE: ASSEMBLY, BOXED, LC PRE-POLISHED FIBER STUB CONNECTOR -PACKS	
		SIZE: C	DRAWING NO.: HWS12855C	REV.: C
		SCALE: NONE	SHEET 1 OF 1	