

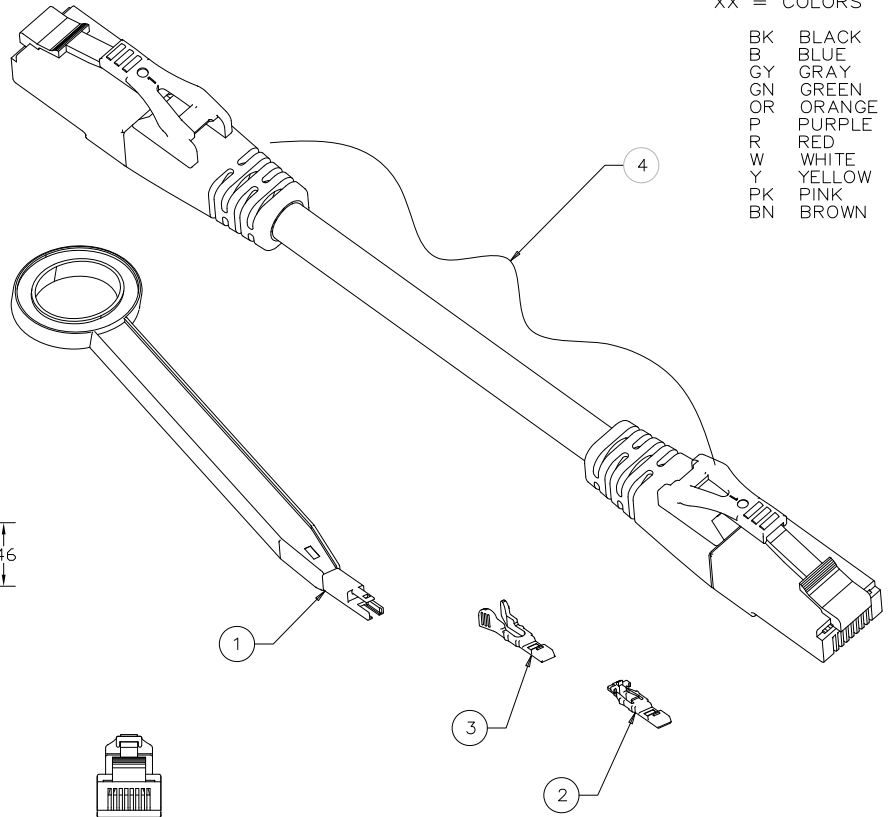
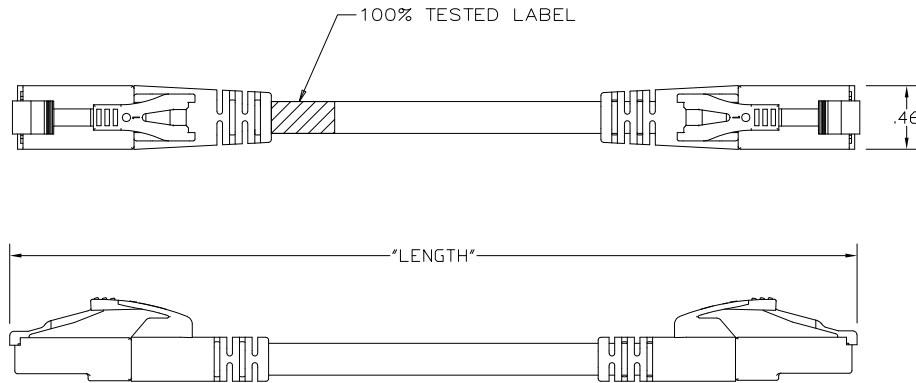
ITEM #	PART NAME	COLOR	QTY
1	SECURITY REMOVAL TOOL	CLEAR	1
2	SECURE LOCKING KEY	RED	2
3	UNSECURE LOCKING KEY	ORANGE	2
4	CAT6 PATCH CORD	xx	1

CATALOG NUMBER	DESCRIPTION	LENGTH	CABLE JACKET COLOR
HC6xx**SP	P-CORD, NEXTSPEED,CAT6,SECURE BOOT,BL,**FT	**	xx

** = LENGTH IN FEET

XX = COLORS

BK BLACK
 B BLUE
 GY GRAY
 GN GREEN
 OR ORANGE
 P PURPLE
 R RED
 W WHITE
 Y YELLOW
 PK PINK
 BN BROWN



12345678

- 1 - WHITE/ORANGE
- 2 - ORANGE
- 3 - WHITE/GREEN
- 4 - BLUE
- 5 - WHITE/BLUE
- 6 - GREEN
- 7 - WHITE/BROWN
- 8 - BROWN

NOTES

UNLESS OTHERWISE SPECIFIED:


1. PATCH CABLE, UTP CATEGORY 6, 24 AWG STRANDED
2. CONTACTS 50 MICRO INCH GOLD PLATING
3. UL LISTED CABLE
4. UL LISTED CABLE
5. BALANCED SYSTEM CATEGORY 6 PERFORMANCE WITH HUBBELL NEXTSPEED ASCENT CATEGORY 6 SYSTEM.
6. 100% PERFORMANCE TESTED TO TIA/EIA 568-C CATEGORY 6 COMPONENT LIMITS WITH TRACEABILITY LABEL
7. SPECIFICATIONS SUBJECT TO CHANGE WITHOUT NOTICE.

DIMENSIONING AND TOLERANCING PER

ANSI Y14.5M-1982
 UNLESS OTHERWISE SPECIFIED,
 DIMENSIONS ARE IN INCHES (MM)
 TOLERANCES:
 .XX = ±.01 [.]
 .XXX = ±.005 [.]
 .XXXX = ±.0025 [.]
 ANGLE TOL ±1°

IN ACCEPTING OUR DRAWINGS,
 BLUEPRINTS, OR SUPPORTING
 DOCUMENTATION FOR QUOTATION
 OR OTHER PURPOSES, YOU AGREE
 NOT TO DISCLOSE TO OTHERS
 THE IDEAS, INFORMATION, OR
 DESIGNS SHOWN HEREIN, AND
 THAT YOU WILL MAKE NO USE
 OF SAME WITHOUT PERMISSION.

COMPONENTS CONTAINED IN THIS DOCUMENT MUST ADHERE TO ENVIRONMENTAL SPEC. HWS12367

PROJECT REFERENCE: 2012-036	 Hubbell Premise Wiring HUBBELL INCORPORATED (Delaware) 23 Clara Drive Suite 103, Mystic, Connecticut 06355
MATERIAL:	
DRAWN BY: D. PECK 9/24/13	TITLE: CAT6 LOCKING PATCH CORD
CHECKED BY:	SIZE: C DRAWING NO. HWS14367C
APPROVED BY:	SCALE: NTS SHEET 1 of 1
	REV. 4

REV.	ECN	DATE	DESCRIPTION	CHG BY	APPD BY
4	23938	04/02/20	REVISED NOTES	AK	MMA
3	21483	08/02/16	ADDED PINK & BROWN CABLE COLORS	JJRJ	MMA

Created on V-13 UNIGRAPHICS