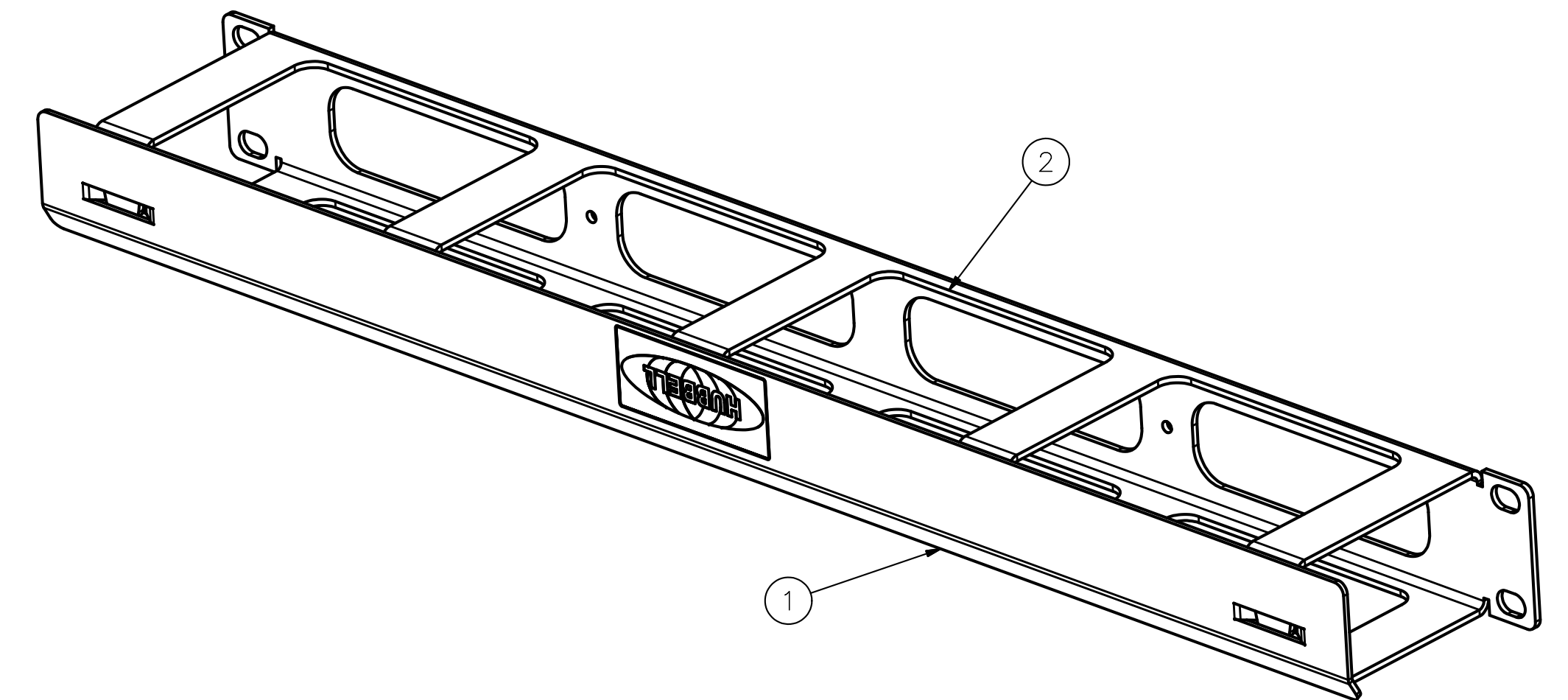
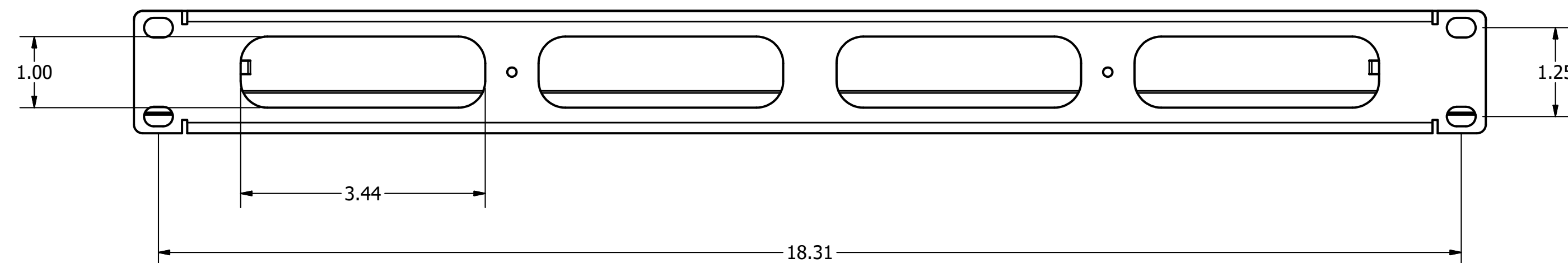
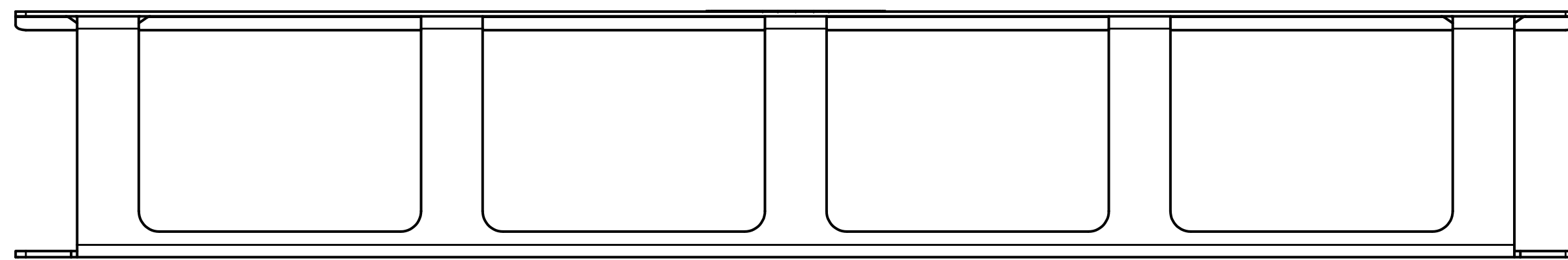
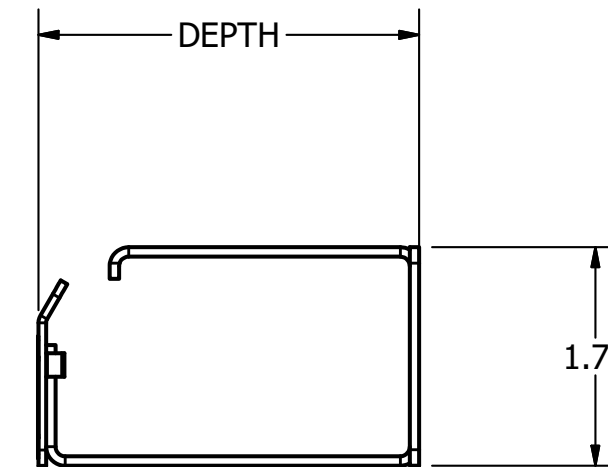
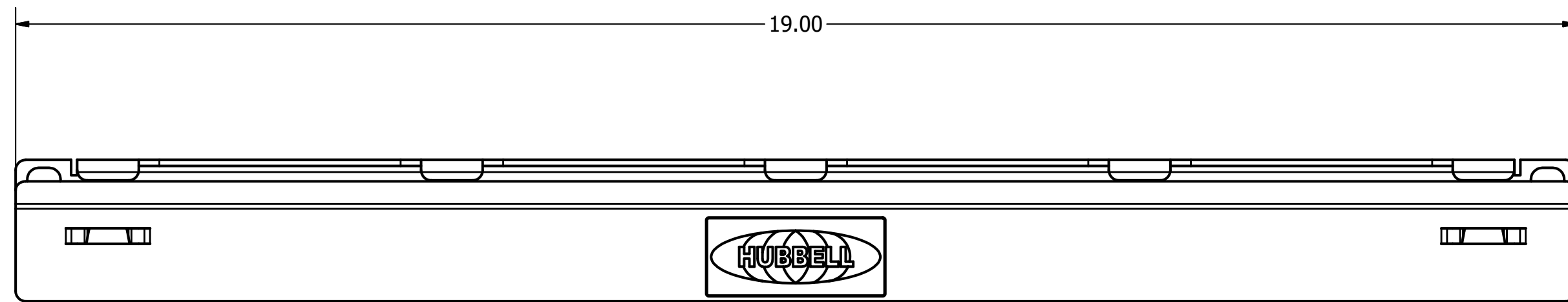


CATALOG	DESCRIPTION	DEPTH	"N", COVER QTY
HS13	1U 3" DEEP HORIZONTAL CABLE ORGANIZER, NO COVER	3.00	N/A
HS13C	1U 3" DEEP HORIZONTAL CABLE ORGANIZER, WITH COVER	3.00	1
HS16C	1U 6" DEEP HORIZONTAL CABLE ORGANIZER, WITH COVER	6.00	1



NOTES:

1. FINISH: BLACK POWDER COAT
2. MATERIAL: COVER 16Ga. CRS, ORGANIZER 14Ga. CRS
3. SPECIFICATIONS SUBJECT TO CHANGE WITH OUT NOTICE.

3	#12-24 HARDWARE PACK	1
2	BASE	1
1	COVER	"N"
ITEM	DESCRIPTION	QTY

Created on INVENTOR	DIMENSIONING AND TOLERANCE PER ANSI Y14.5M-1982 UNLESS OTHERWISE SPECIFIED, DIMENSIONS ARE IN INCHES (MM). TOLERANCES.XX = ±.01 (.25).XXX = ±.005 (.127).XXXX = ±.0025 (.0635) ANGLE TOL ±1°		PROJECT REFERENCE: 2012-014			Hubbell Premise Wiring HUBBELL INCORPORATED (Delaware) 23 CLARA DRIVE, SUITE 103 MYSTIC, CT 06355		
	IN ACCEPTING OUR DRAWINGS, BLUEPRINTS, OR SUPPORTING DOCUMENTATION FOR QUOTATION OR OTHER PURPOSES, YOU AGREE NOT TO DISCLOSE TO OTHERS THE IDEAS, INFORMATION, OR DESIGNS SHOWN HEREIN, AND THAT YOU WILL MAKE NO USE OF SAME WITHOUT PERMISSION		MATERIAL: C.R.S.			TITLE: 1U HORIZONTAL CABLE ORGANIZER ASSEMBLY		
	DRAWN BY: D.O'CONNOR 5/14/14		CHECKED BY:		SIZE D		DRAWING NO. HWS14417C	
	APPROVED BY:		APPROVED BY:		SCALE: N/A		SHEET 1 OF 1	

REV.	ECN	DATE	DESCRIPTION	CHG BY	APPD BY
3	23901	12/12/19	ADDED 6" DEEP VERSION	MMA	DO

REV.	3
------	---