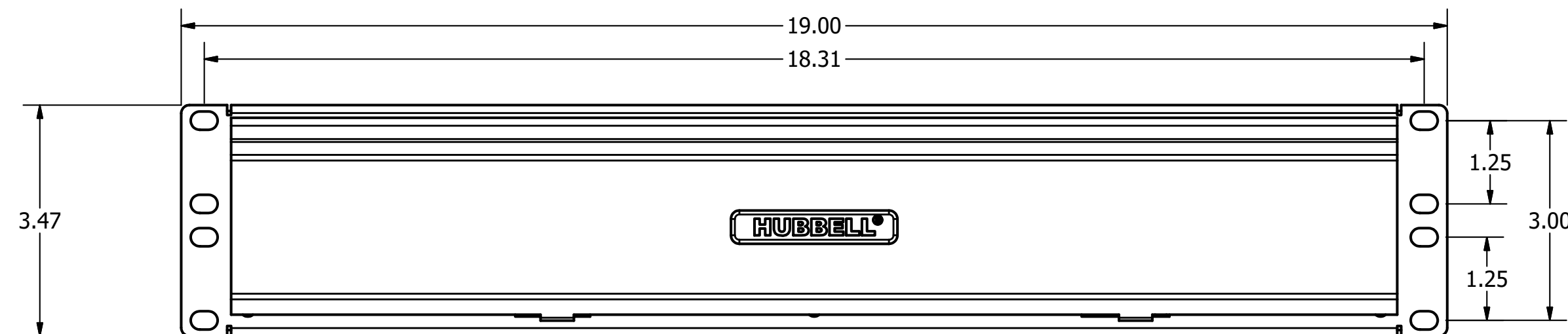
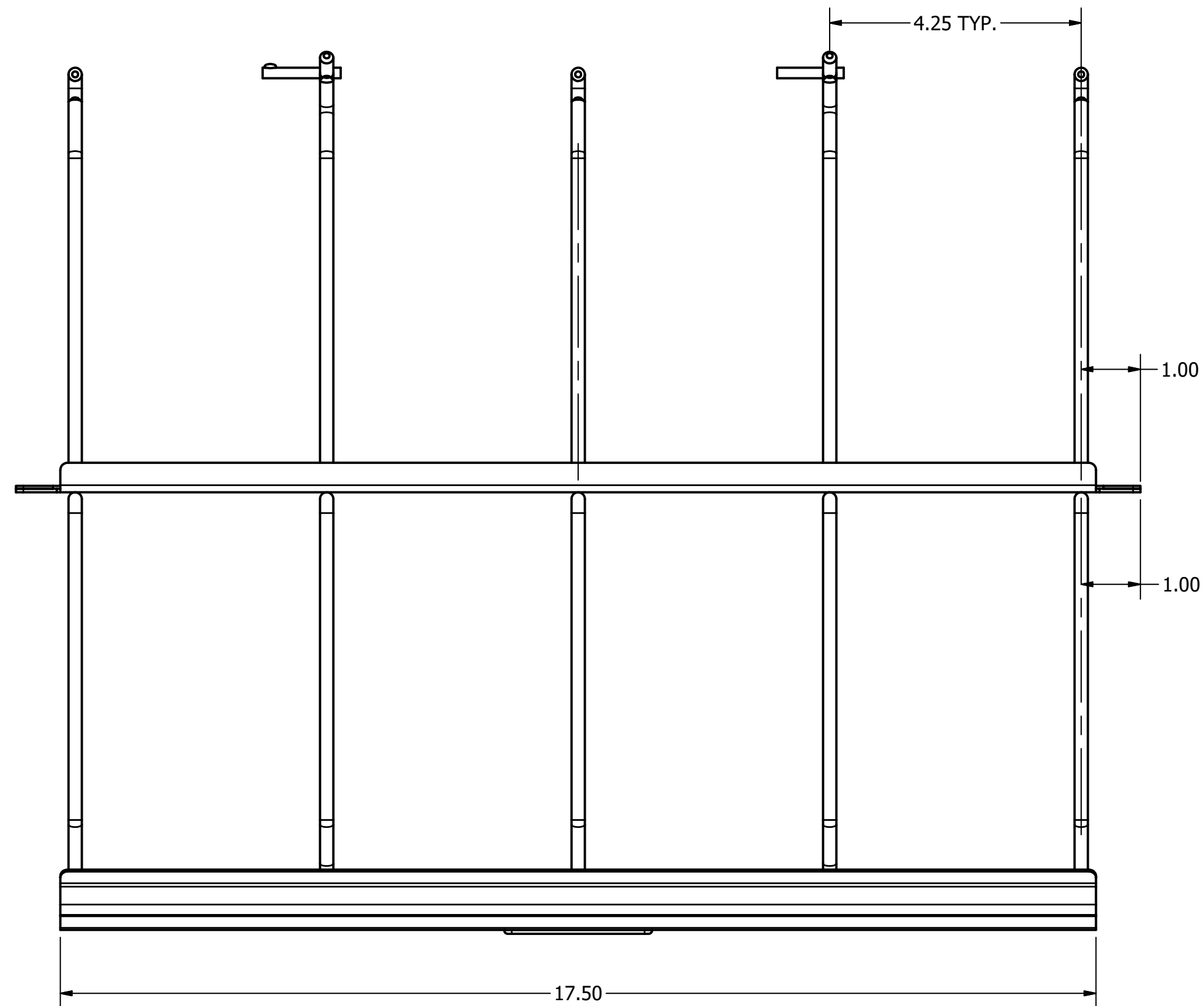


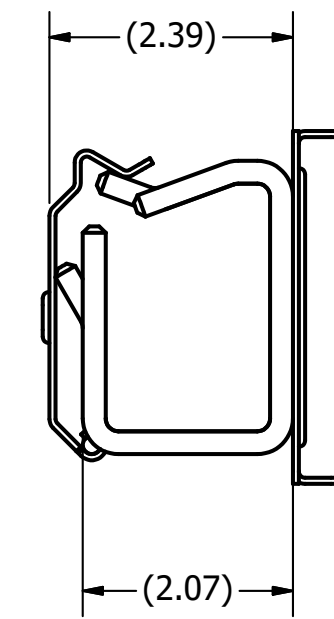
CATALOG	DESCRIPTION	COLOR
HM24	HRZ MGR,2U,4" FR EXT,NO CVR,BLK	BLACK
HM24C	HRZ MGR,2U,4" FR EXT,WITH CVR,BLK	BLACK
HM27C	HRZ MGR,2U,7" FR EXT,WITH CVR,BLK	BLACK
HM277C	HRZ MGR,2U,7"EXT-F,7"EXT-R,WITH CVR,BLK	BLACK
HM22C	HRZ MGR,2U,2" FR EXT,WITH CVR,BLK	BLACK
HM244C	HRZ CBL MGR,M SER,2U,4"EXT,4"RR,CVR,BLK	BLACK
HM247C	HRZ CBL MGR,M SER,2U,4"EXT,7"RR,CVR,BLK	BLACK



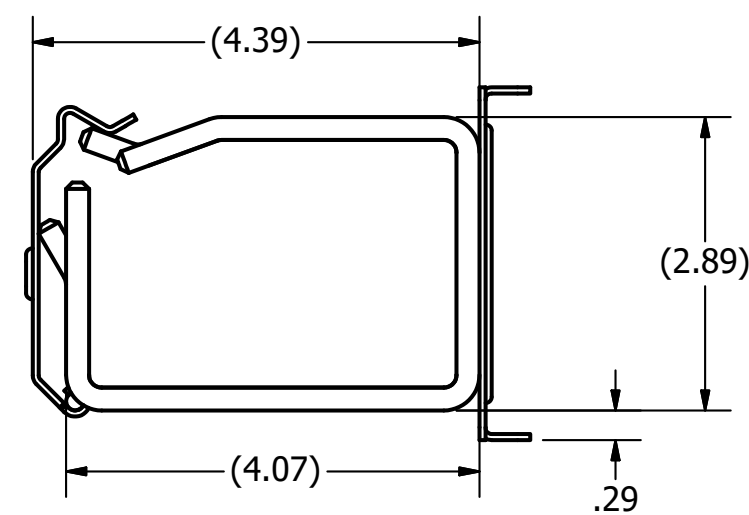
NOTES:

1. MATERIAL: COLD ROLLED STEEL
2. FINISH: POWDER COAT, SEE TABLE FOR COLOR
3. SPECIFICATIONS SUBJECT TO CHANGE WITHOUT NOTICE.

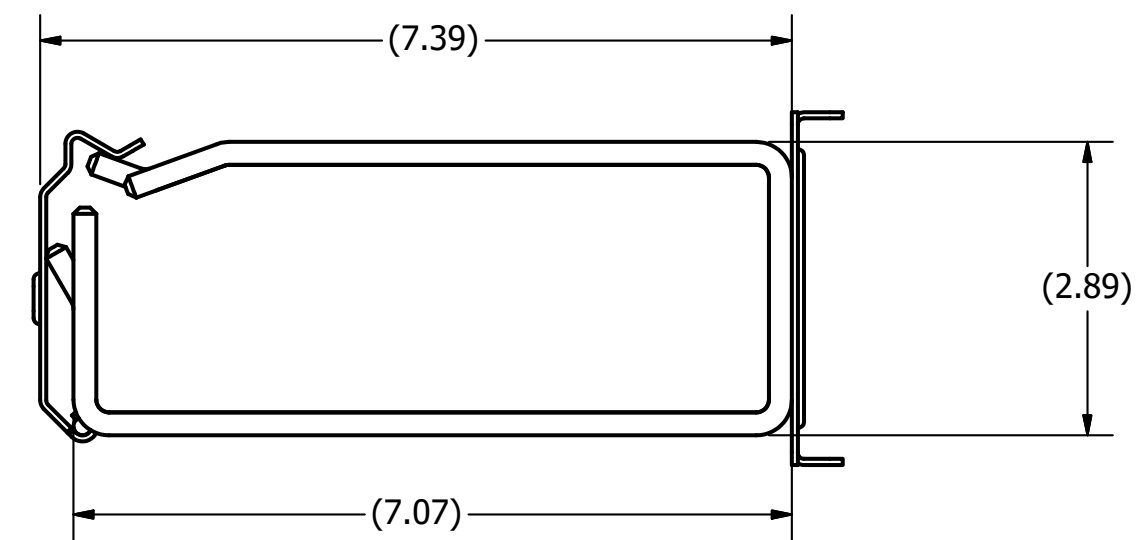
HM24C



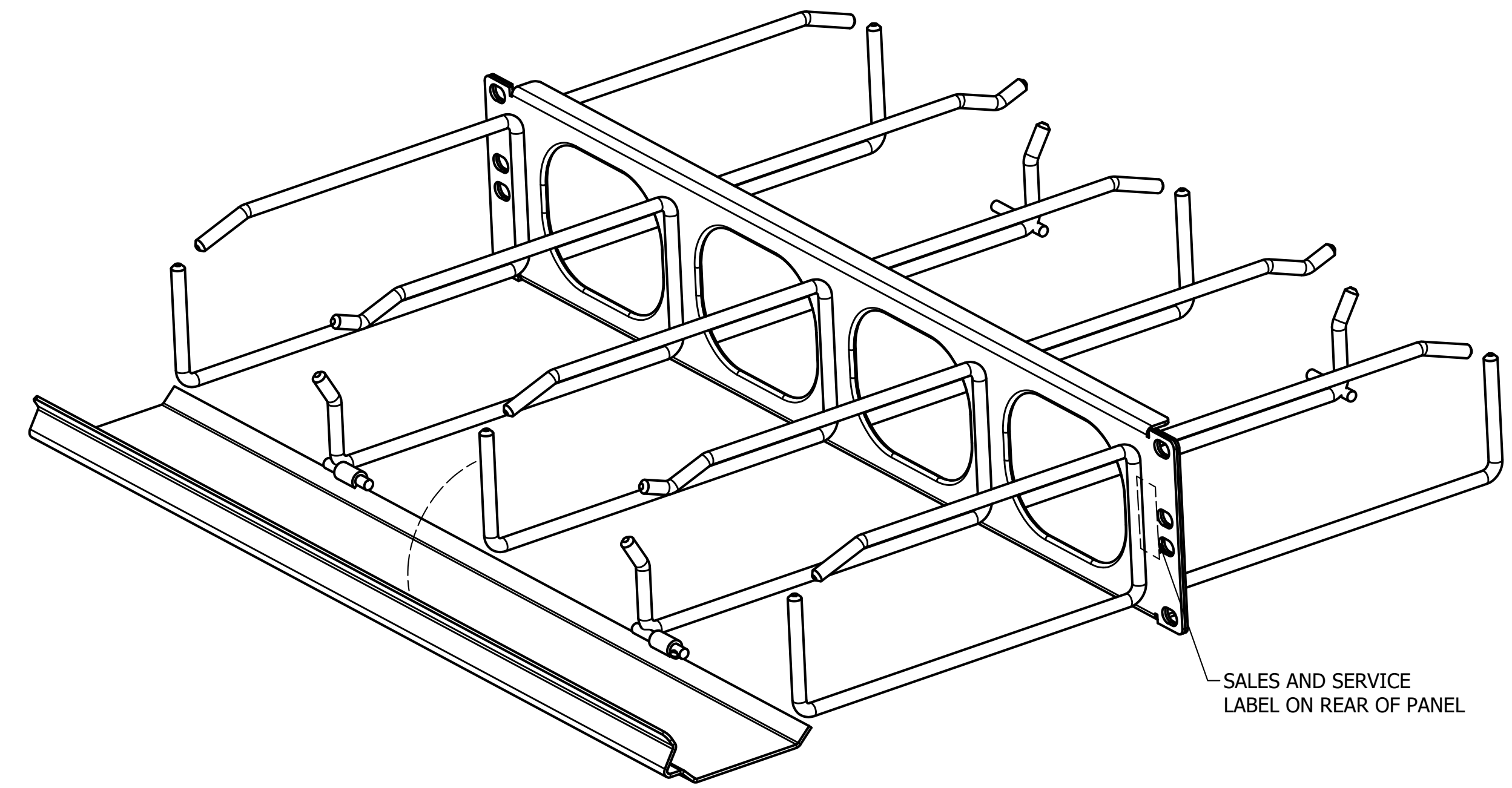
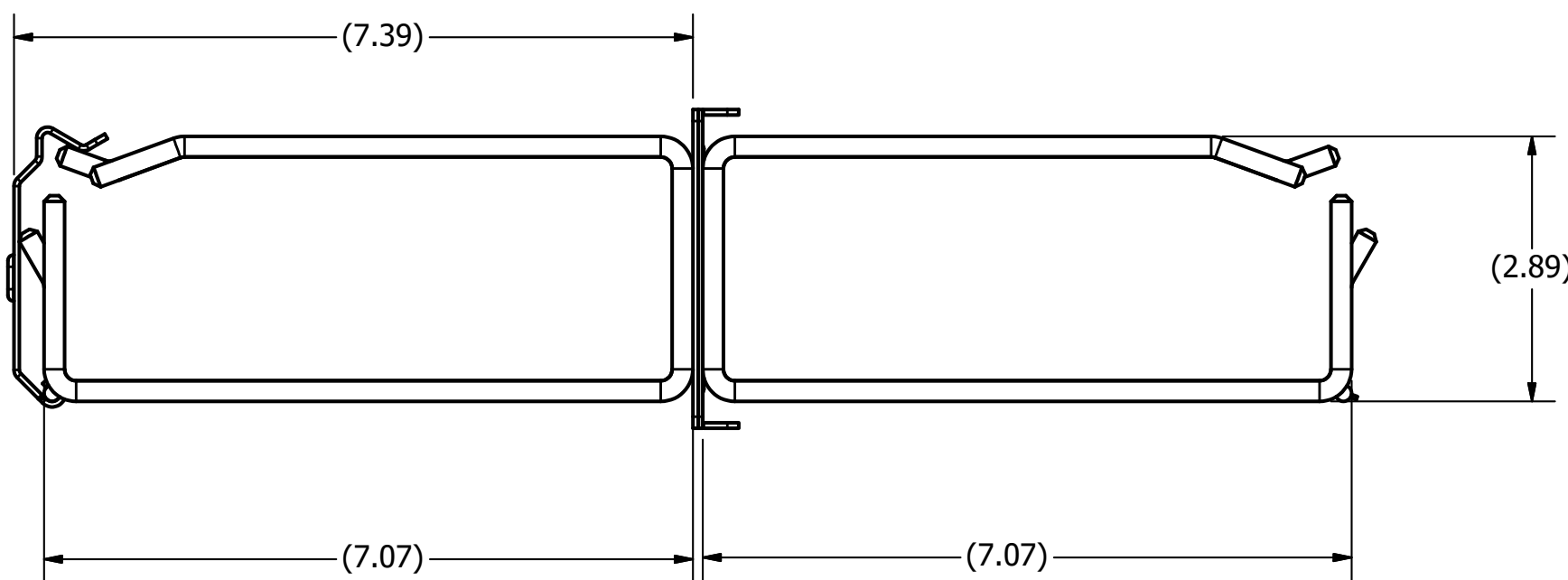
HM24C



HM27C

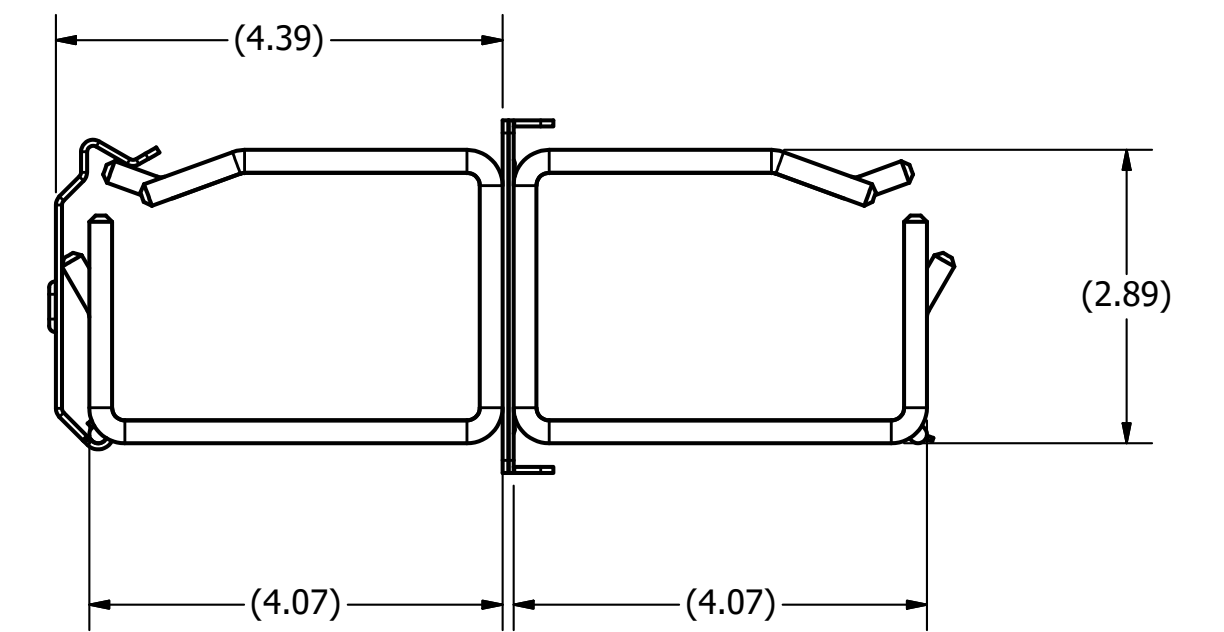


HM277C

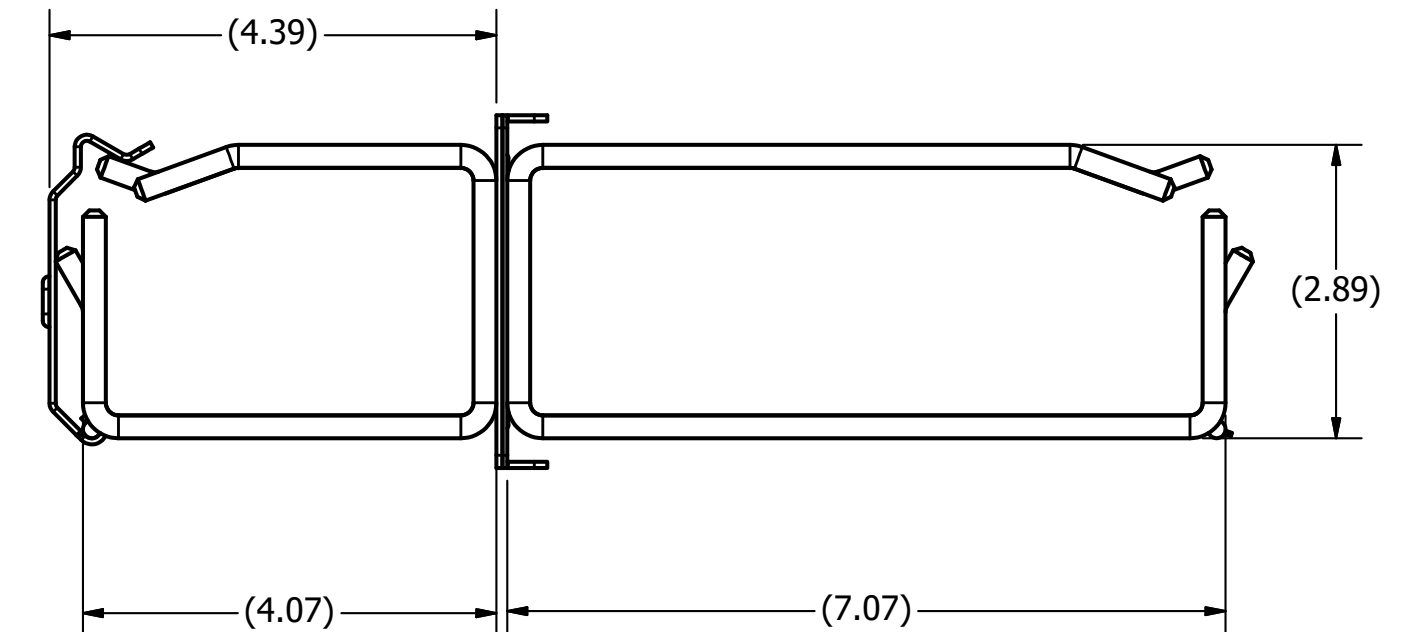


SALES AND SERVICE LABEL ON REAR OF PANEL

HM244C



HM247C



REV.	ECN	DATE	DESCRIPTION	CHG BY	APPD BY
5	23877	11/13/19	ADDED NEW SIZES	MMA	DO

Created on INVENTOR	DIMENSIONING AND TOLERANCE PER ANSI Y14.5M-1982 UNLESS OTHERWISE SPECIFIED, DIMENSIONS ARE IN INCHES (MM). TOLERANCES: .XX = ±.01 (.25) .XXX = ±.005 (.127) .XXXX = ±.0025 (.0635) ANGLE TOL ±1°		PROJECT REFERENCE: 2012-014		<p>Hubbell Premise Wiring HUBBELL INCORPORATED (Delaware) 23 CLARA DRIVE, SUITE 103 MYSTIC, CT 06355</p>
	IN ACCEPTING OUR DRAWINGS, BLUEPRINTS, OR SUPPORTING DOCUMENTATION FOR QUOTATION OR OTHER PURPOSES, YOU AGREE NOT TO DISCLOSE TO OTHERS THE IDEAS, INFORMATION, OR DESIGNS SHOWN HEREIN, AND THAT YOU WILL MAKE NO USE OF SAME WITHOUT PERMISSION		MATERIAL:		
	DRAWN BY: D.O'CONNOR 8/11/14		CHECKED BY:		TITLE: 2U HM HORIZONTAL ORGANIZER
	APPROVED BY:		SCALE:		SIZE: D DRAWING NO.: HWS14422C REV.: 5