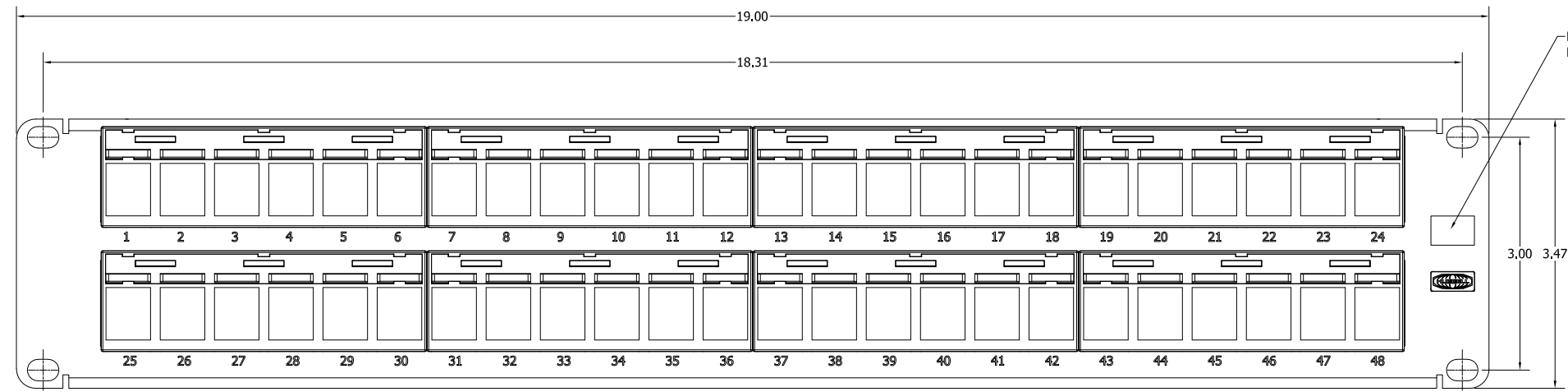
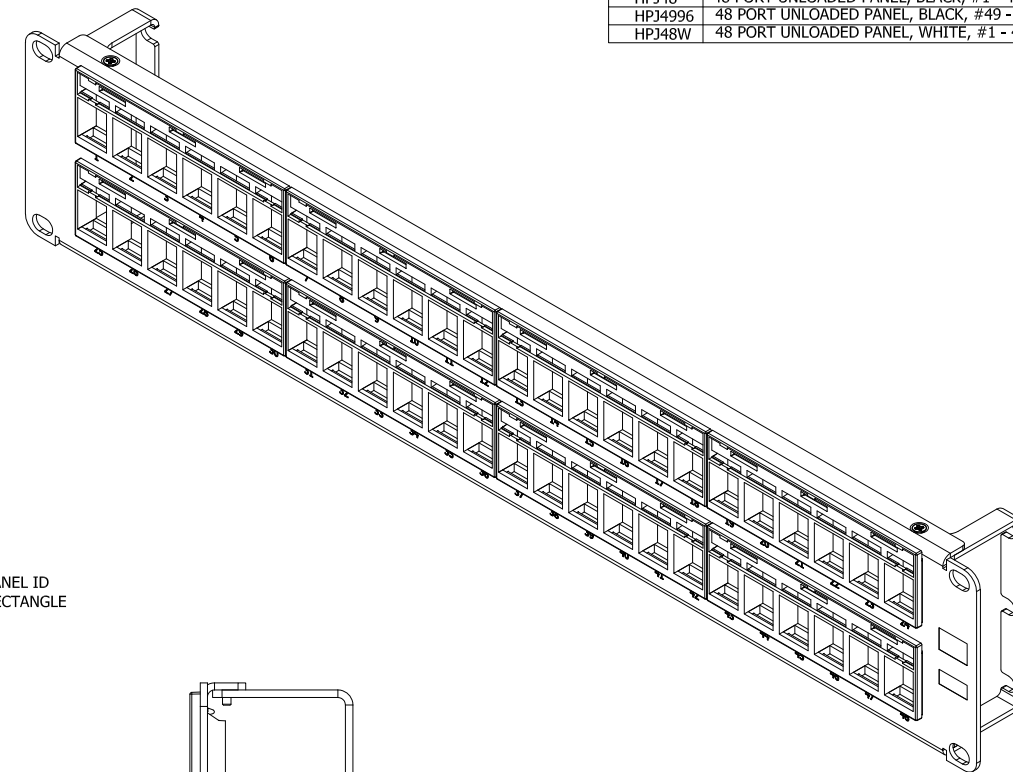
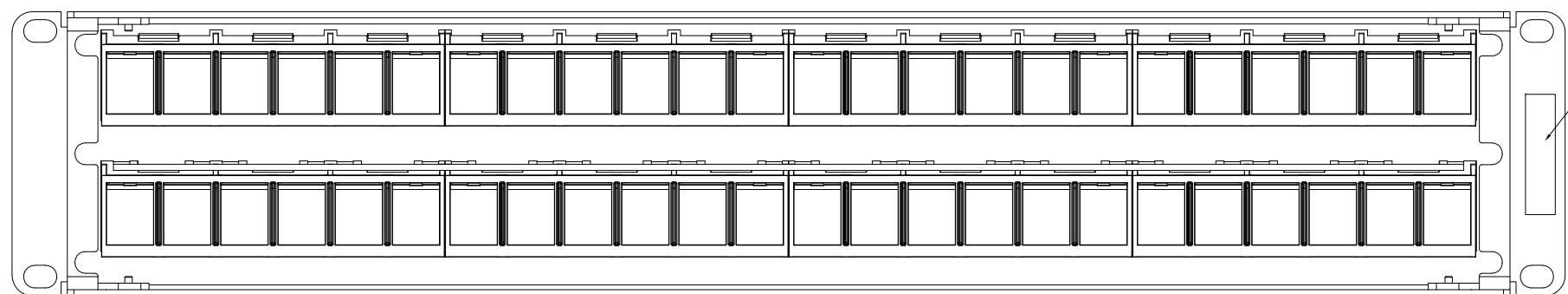


CATALOG	DESCRIPTION
HPJ48	48 PORT UNLOADED PANEL, BLACK, #1 - 48
HPJ4996	48 PORT UNLOADED PANEL, BLACK, #49 - 96
HPJ48W	48 PORT UNLOADED PANEL, WHITE, #1 - 48



FRONT VIEW



REAR VIEW

- NOTES:
- PRODUCT INCLUDES
 - (1) PATCH PANEL ASSEMBLY
 - (8) LABEL CARDS
 - (8) CLEAR LABEL COVERS
 - (1) HARDWARE PACK
 - (1) INSTRUCTIONS
 - SPECIFICATIONS SUBJECT TO CHANGE WITHOUT NOTICE

REV.	ECN	DATE	DESCRIPTION	CHG BY	APPD BY
3	23782	3/11/19	ADDED WHITE CATALOG TO TABLE	DPO	MMA
2	22411	12/19/16	ADDED HPJ4996 TO TABLE	DPO	MMA
1	21453	6/6/16	INITIAL RELEASE	DPO	MMA

Created on INVENTOR

DIMENSIONING AND TOLERANCE PER ANSI Y14.5M-1982 UNLESS OTHERWISE SPECIFIED, DIMENSIONS ARE IN INCHES (MM).
 TOLERANCES: XX = ±.01 (.25)
 .XXX = ±.005 (.127)
 .XXXX = ±.0025 (.0635)
 ANGLE TOL ±1°

IN ACCEPTING OUR DRAWINGS, BLUEPRINTS, OR SUPPORTING DOCUMENTATION FOR QUOTATION OR OTHER PURPOSES, YOU AGREE NOT TO DISCLOSE TO OTHERS THE IDEAS, INFORMATION, OR DESIGNS SHOWN HEREIN, AND THAT YOU WILL MAKE NO USE OF SAME WITHOUT PERMISSION

PROJECT REFERENCE: NPD-00617

MATERIAL:

DRAWN BY: D.O'CONNOR 5/25/16

CHECKED BY:

APPROVED BY:

HUBBELL Hubbell Premise Wiring
 HUBBELL INCORPORATED (Delaware)
 23 CLARA DRIVE, SUITE 103 MYSTIC, CT 06355

TITLE: 48 PORT UNLOADED PANEL

SIZE: D DRAWING NO. HWS14609C REV. 3

SCALE: SHEET 1 OF 1