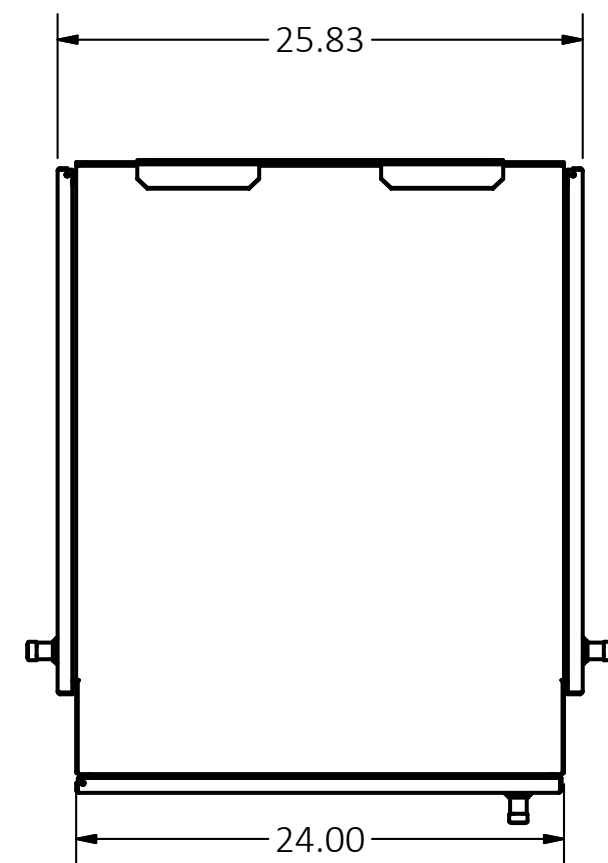


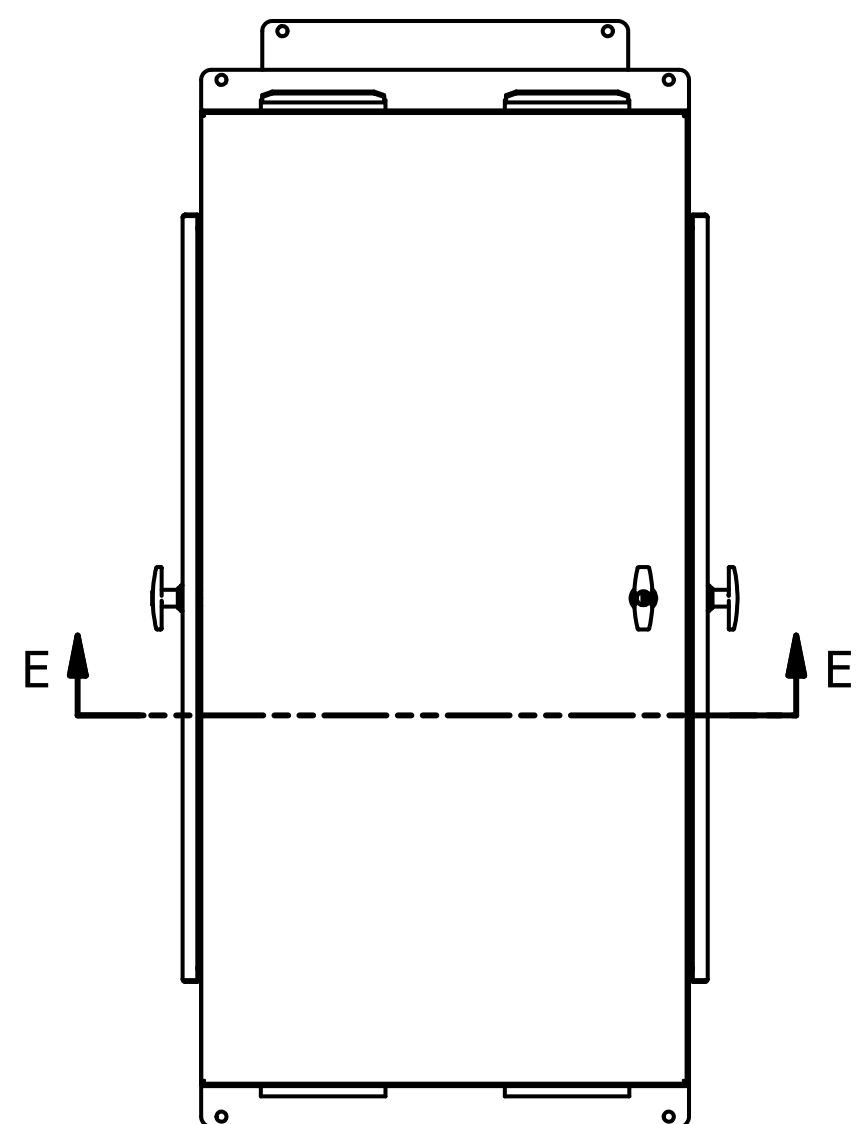
CATALOG NO	DESCRIPTION	RACK UNITS (RU)	MATERIAL	SURFACE FINISH	"A" ENCLOSURE HEIGHT	"B" MTG HEIGHT	"C" MOUNTING RAIL HEIGHT
IR323PG3	IND REBX,36H,24W,30D,PRECNFG,GY,3DR	17	CARBON STEEL	ANSI 61 GRAY POLYESTER POWDER COAT	35.75	38.75	31.75
IR423PG3	IND REBX,48H,24W,30D,PRECNFG,GY,3DR	24	CARBON STEEL	ANSI 61 GRAY POLYESTER POWDER COAT	48.00	51	44.00
IR323PS3	IND REBX,36H,24W,30D,PRECNFG,STNLSS,3DR	17	STAINLESS STEEL	NONE	35.75	38.75	31.75
IR423PS3	IND REBX,48H,24W,30D,PRECNFG,STNLSS,3DR	24	STAINLESS STEEL	NONE	48.00	51	44.00

NOTES:

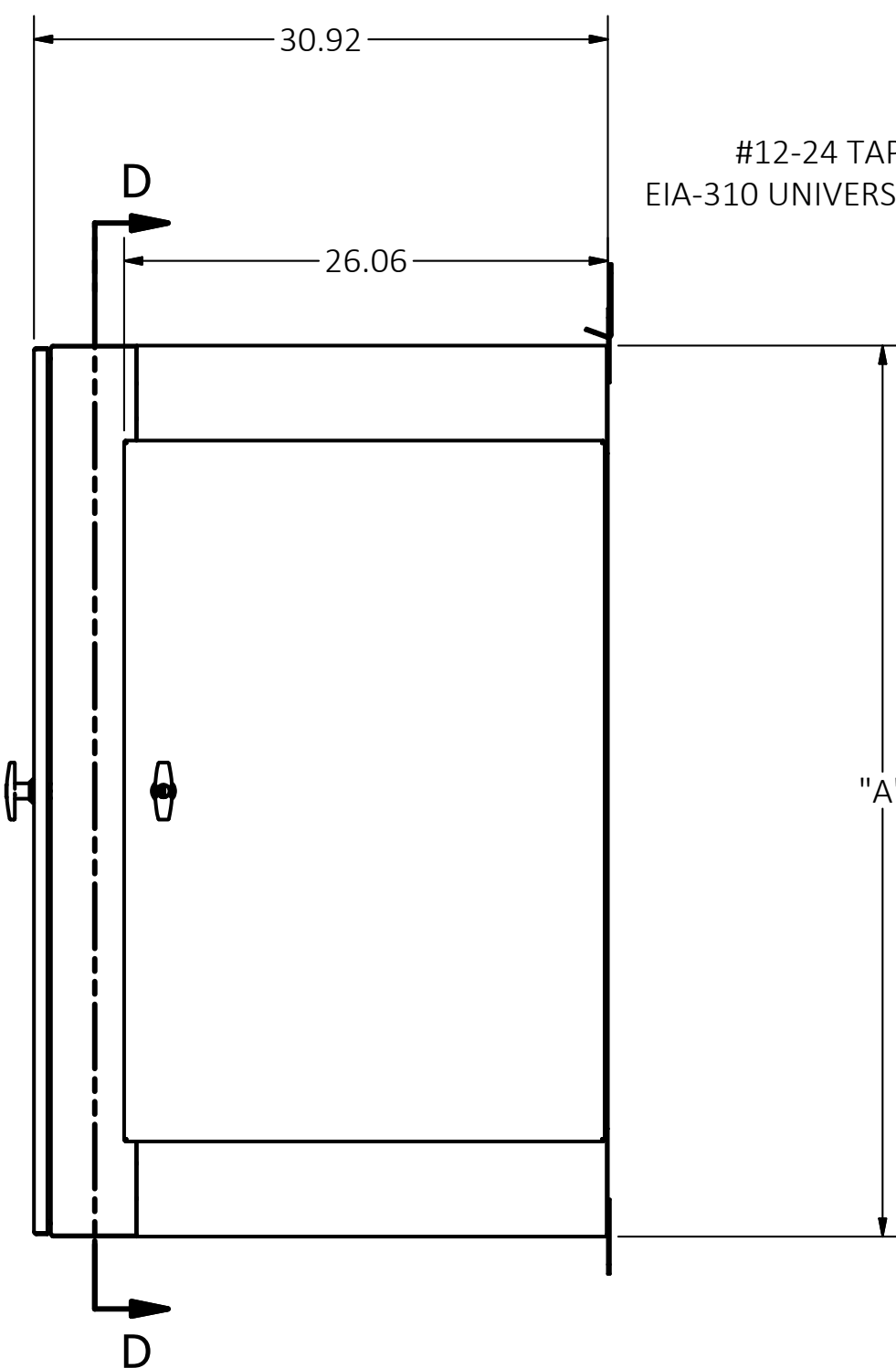
- ENCLOSURE SEALS WITH FOAM-IN-PLACE GASKET (ALL DOORS)
- FINISH:  
ENCLOSURE & HANGER BRACKET - SEE TABLE  
BACK PANEL & RACK ANGLES: WHITE POLYESTER POWDER (SMOOTH)
- HANGER BRACKET IS PACKAGED AND SHIPPED LOOSE INSIDE ENCLOSURE.
- ENCLOSURE IS RATED TYPES 12, 4, & IP66.
- (50) #12-24 X 5/8" SCREWS ARE PACKAGED AND SHIPPED LOOSE INSIDE ENCLOSURE
- SPECIFICATIONS SUBJECT TO CHANGE WITHOUT NOTICE.



TOP VIEW

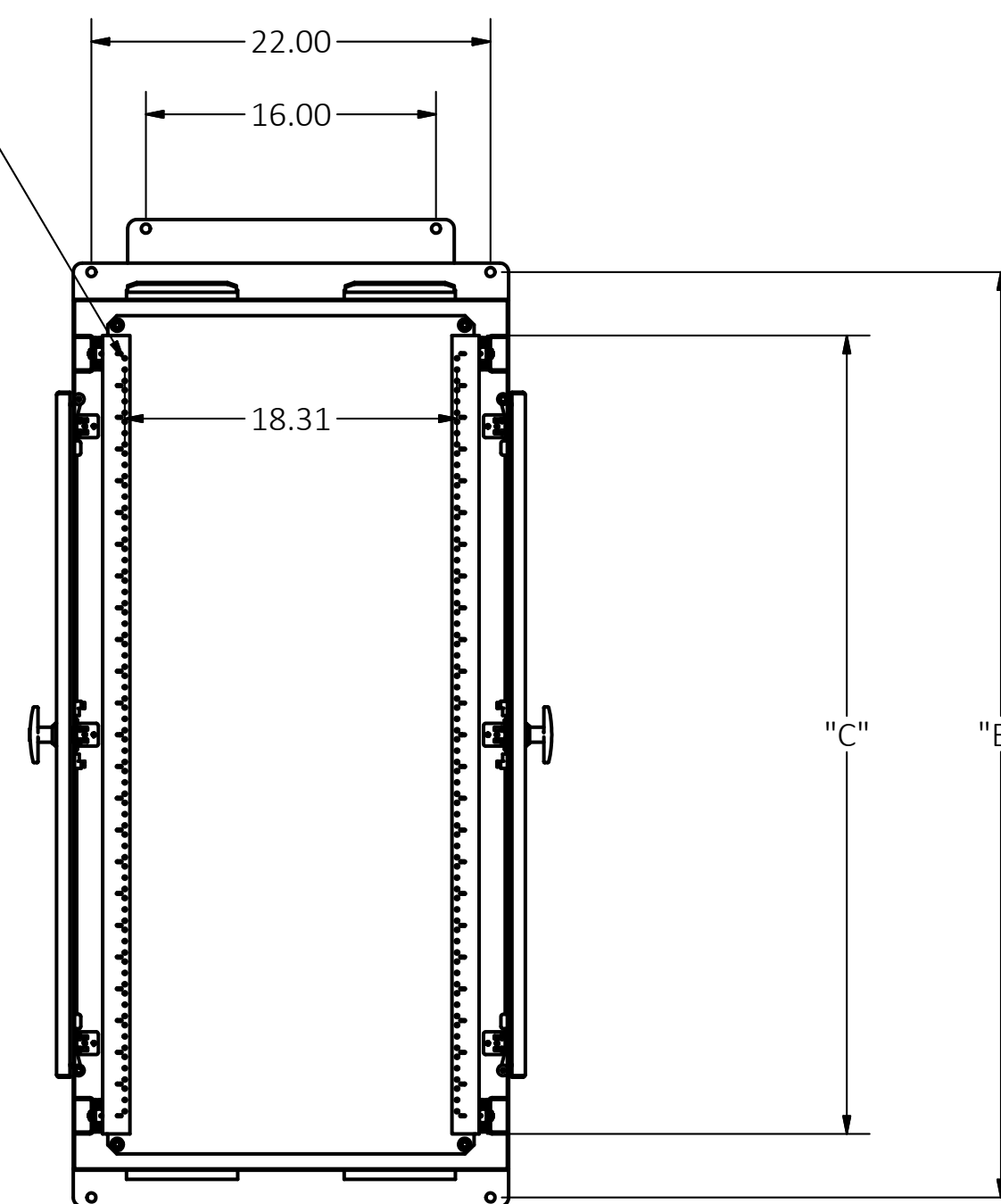


FRONT VIEW

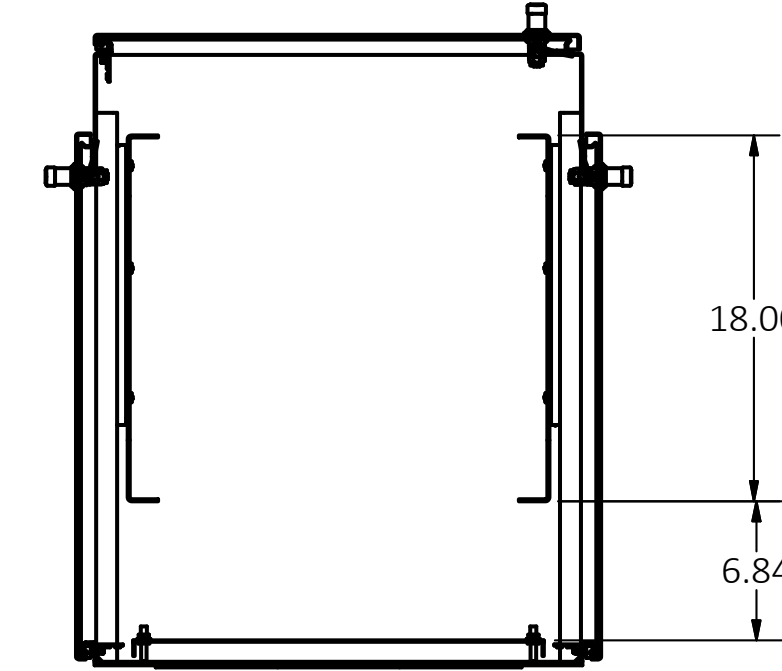


SIDE VIEW

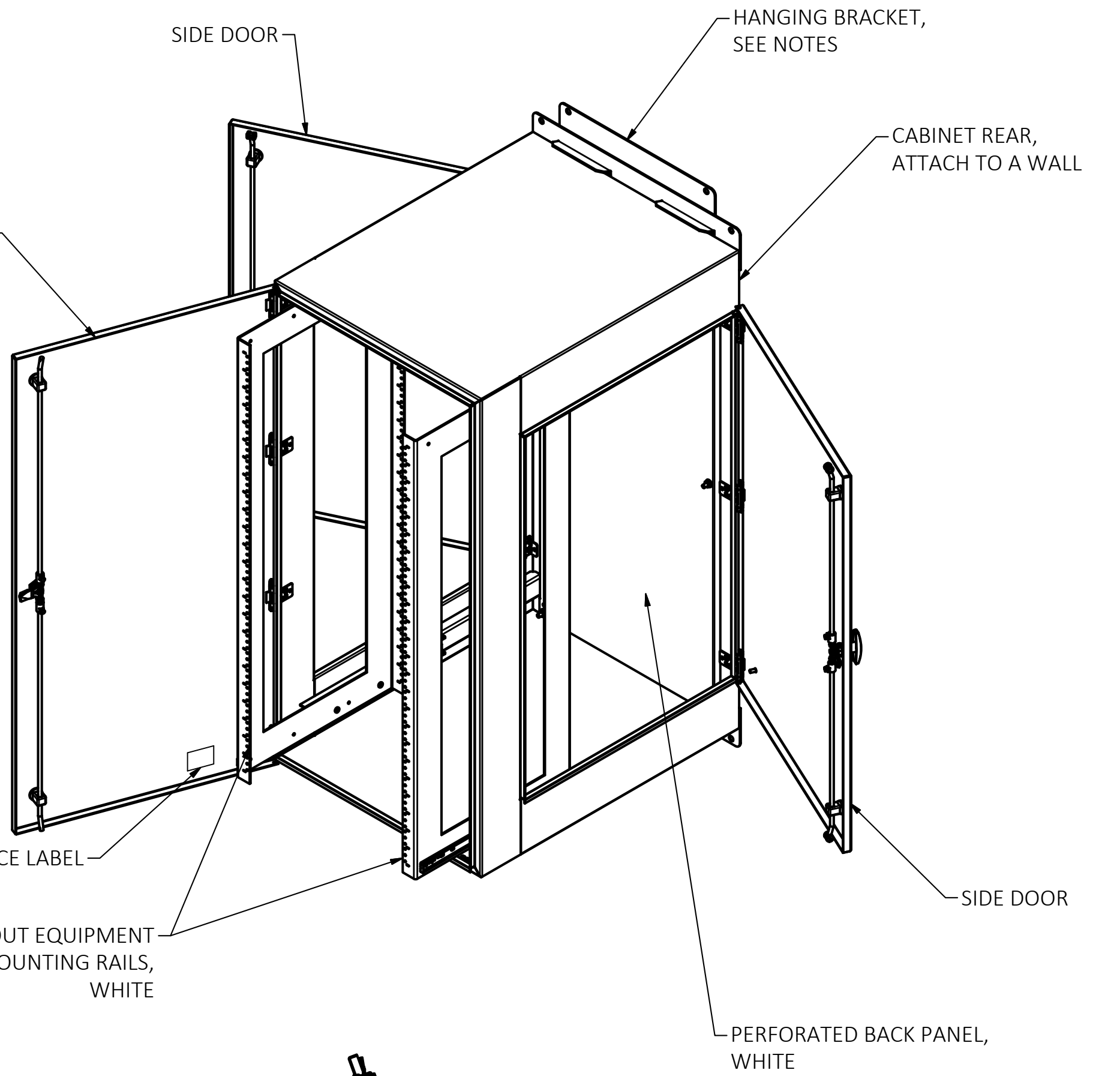
#12-24 TAPPED HOLES,  
EIA-310 UNIVERSAL PATTERN



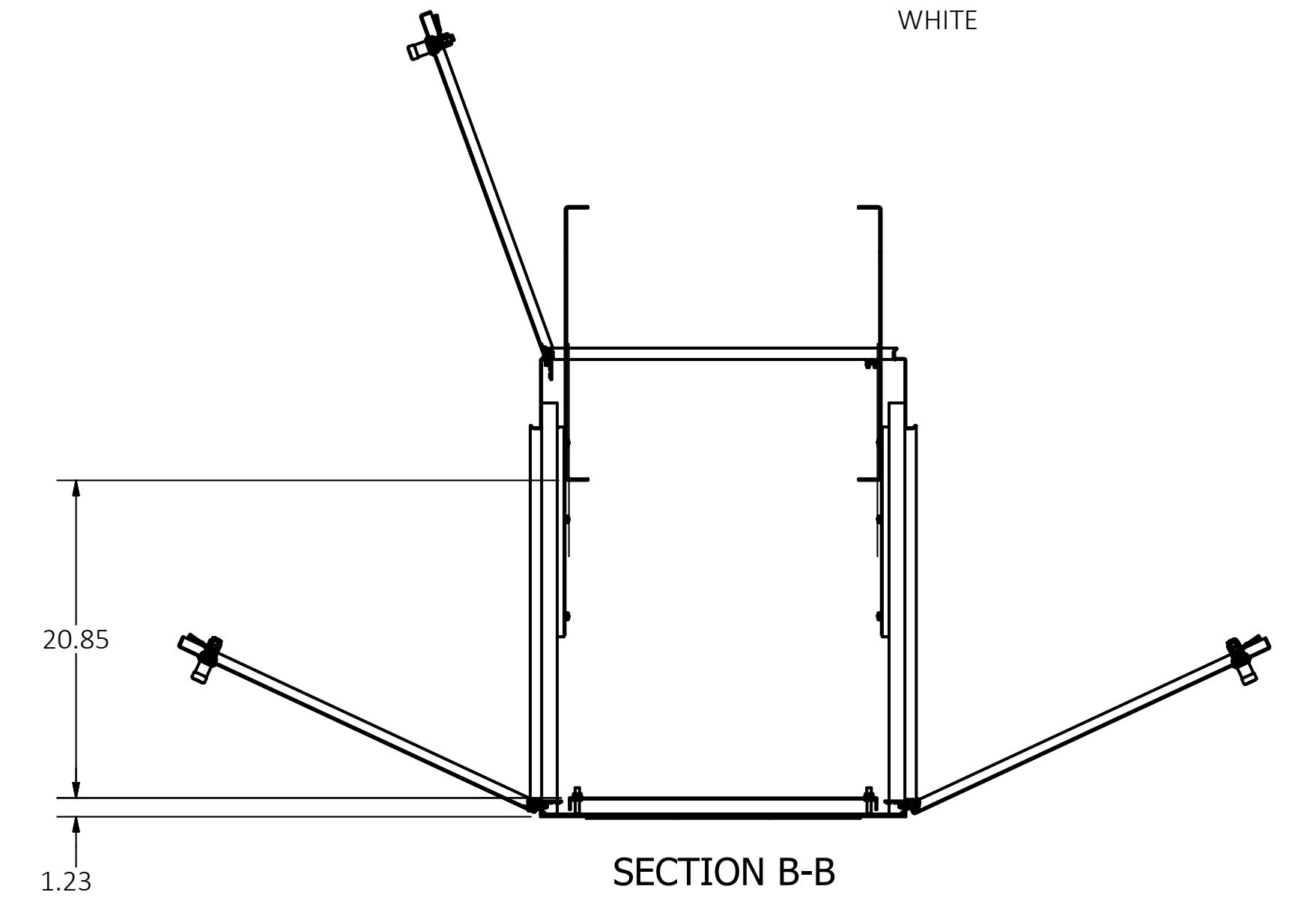
SECTION D-D



SECTION E-E  
RACK ANGLES FULLY RETRACTED



SECTION B-B  
RACK ANGLES FULLY EXTENDED



REV.	ECN	DATE	DESCRIPTION	CHG BY	APPD BY
1	23713	02/06/19	INITIAL RELEASE	MMA	DO

Created on INVENTOR	DIMENSIONING AND TOLERANCE PER ANSI Y14.5M-1982 UNLESS OTHERWISE SPECIFIED, DIMENSIONS ARE IN INCHES (MM). TOLERANCES: .XX = ±.01 (.25) .XXX = ±.005 (.127) .XXXX = ±.0025 (.0635) ANGLE TOL ±1°		PROJECT REFERENCE: 042-17	<b>Hubbell Premise Wiring</b> HUBBELL INCORPORATED (Delaware) 23 CLARA DRIVE, SUITE 103 MYSTIC, CT 06355	
	IN ACCEPTING OUR DRAWINGS, BLUEPRINTS, OR SUPPORTING DOCUMENTATION FOR QUOTATION OR OTHER PURPOSES, YOU AGREE NOT TO DISCLOSE TO OTHERS THE IDEAS, INFORMATION, OR DESIGNS SHOWN HEREIN, AND THAT YOU WILL MAKE NO USE OF SAME WITHOUT PERMISSION		MATERIAL: SEE TABLE		TITLE: 3-DOOR WALL MOUNT CABINET WITH SLIDE OUT MOUNTED EQUIPMENT
			DRAWN BY: MABBY 11/9/18	CHECKED BY:	SIZE: D DRAWING NO.: HWS14848C
			APPROVED BY:		REV.: 1

SCALE: N/A SHEET 1 OF 1