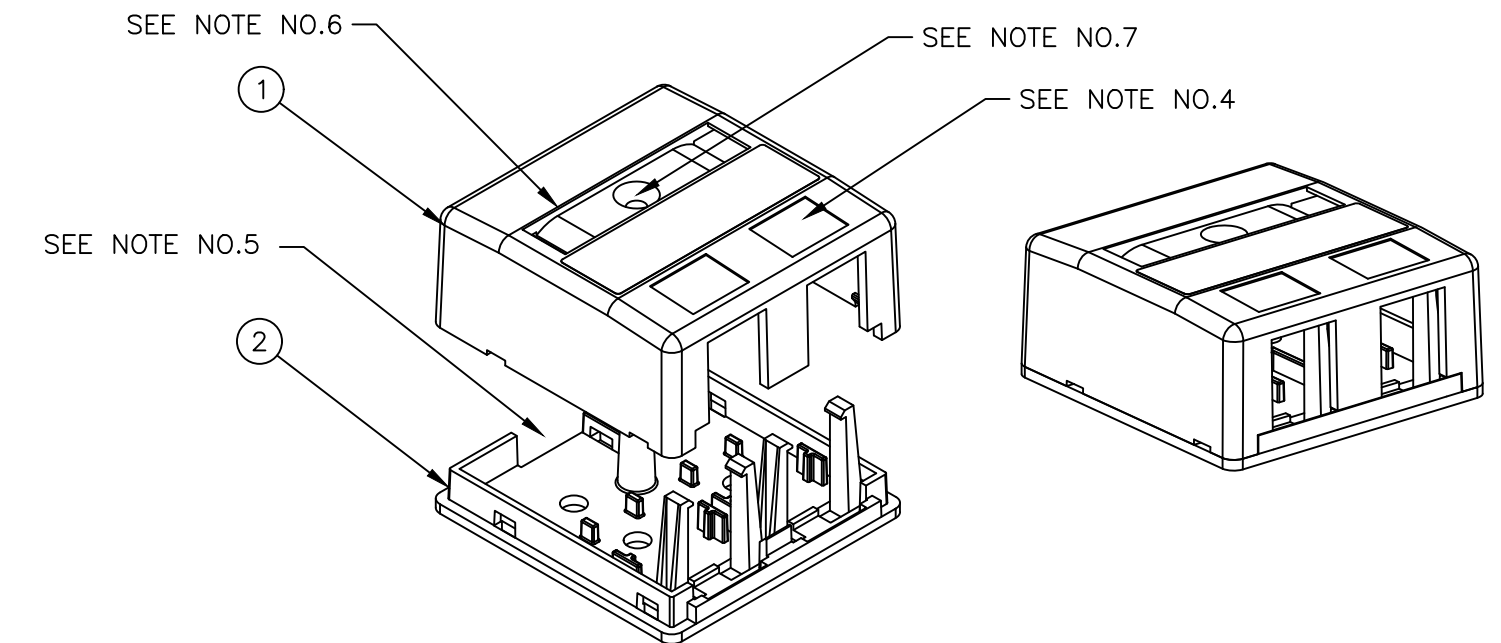
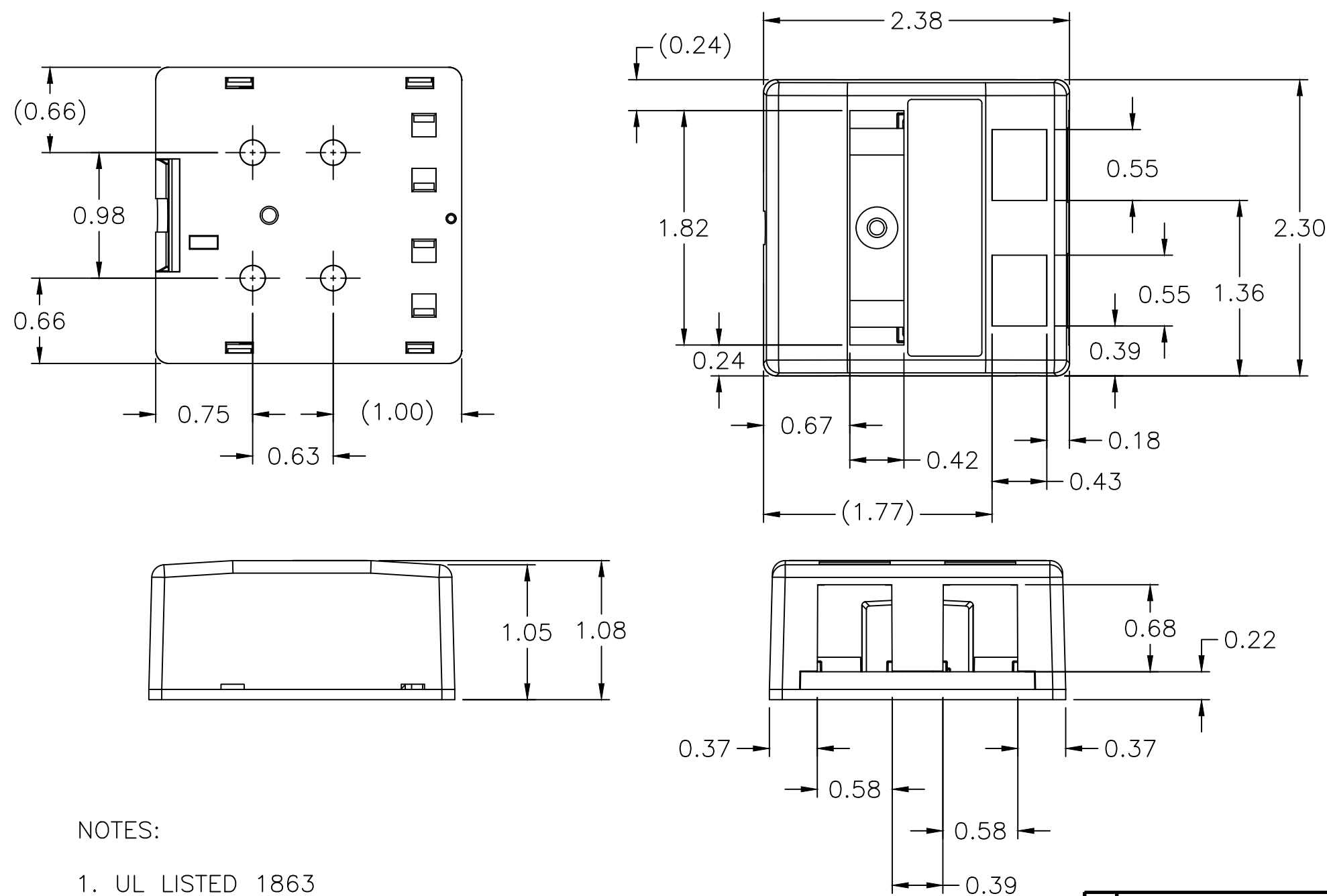
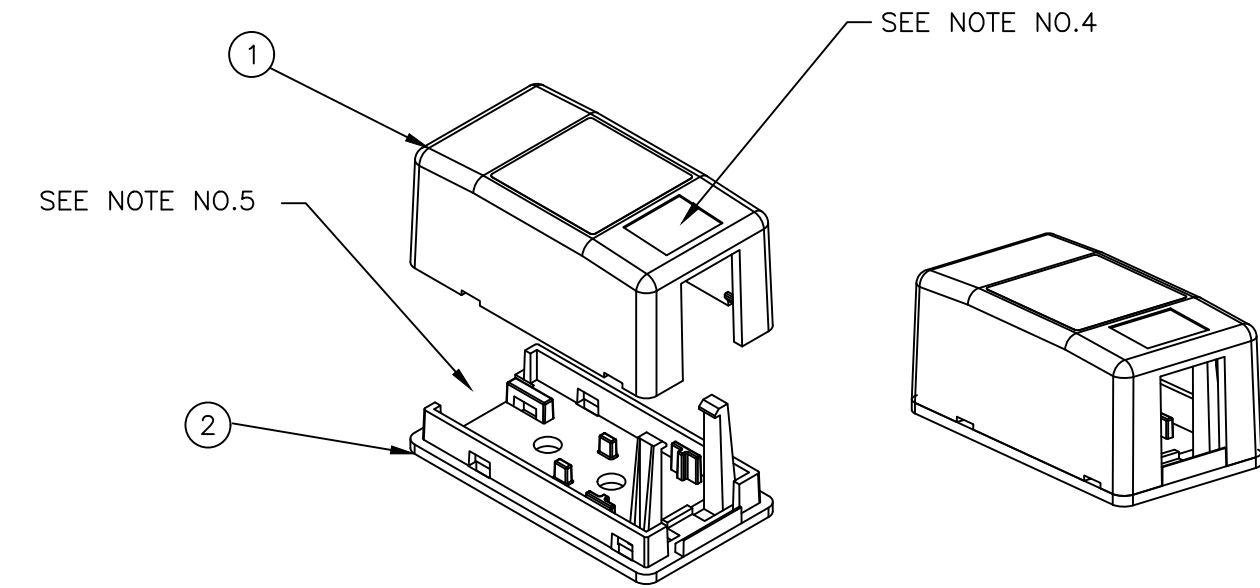
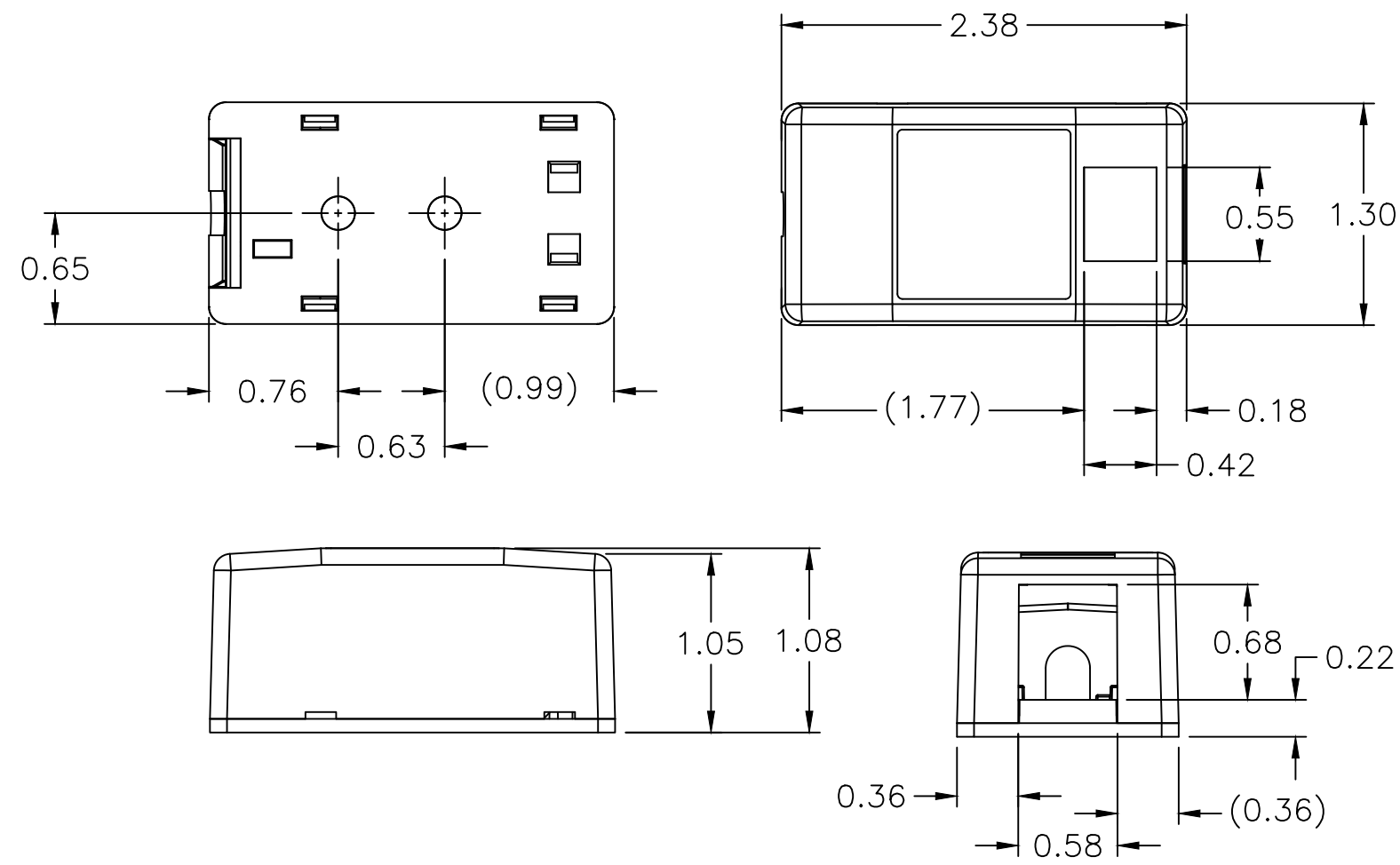


ITEM NO.	DESCRIPTION	QTY.
1	SURFACE HOUSING COVER	1
2	SURFACE HOUSING BASE	1

CATALOG NUMBER	DESCRIPTION
HSBxyz	HSB SERIES SURFACE HOUSING

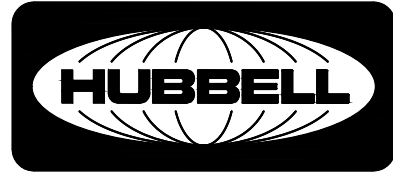
"x" = NUMBER OF PORTS, 1 OR 2
 "yy" = COLOR
 "z" = P FOR PLENUM RATED VERSION

AVAILABLE COLORS
 W: WHITE
 OW: OFFICE WHITE
 BK: BLACK
 GY: GRAY
 EI: ELECTRIC IVORY



NOTES:

- UL LISTED 1863
- UL-94V-0 MATERIAL
- PLENUM SERIES MEETS UL 2043 REQUIREMENTS
- PORT LABEL (XPLCRC10X)
- RACEWAY KNOCKOUT MT6
- STATION LABEL (XPLFP10X)
- SECURITY SCREW
- SPECIFICATIONS SUBJECT TO CHANGE WITHOUT PRIOR NOTICE

Created on AUTOCAD	DIMENSIONING AND TOLERANCE PER ANSI Y14.5M-1982 UNLESS OTHERWISE SPECIFIED, DIMENSIONS ARE IN INCHES (MM). TOLERANCES .XX = ±.01 (.25) .XXX = ±.005 (.127) .XXXX = ±.0025 (.0635) ANGLE TOL ±1°		PROJECT REFERENCE: NPD-02962		 Hubbell Premise Wiring HUBBELL INCORPORATED (Delaware) 23 Clara Drive, Mystic, Connecticut 06355
	IN ACCEPTING OUR DRAWINGS, BLUEPRINTS, OR SUPPORTING DOCUMENTATION FOR QUOTATION OR OTHER PURPOSES, YOU AGREE NOT TO DISCLOSE TO OTHERS THE IDEAS, INFORMATION, OR DESIGNS SHOWN HEREIN, AND THAT YOU WILL MAKE NO USE OF SAME WITHOUT PERMISSION		MATERIAL:		
		DRAWN BY: D. O'CONNOR 12/5/19		TITLE: PLATES/HOUSINGS/FRAMES SURFACE HOUSINGS HSB1 & 2 SURFACE HOUSINGS	
		CHECKED BY:		SIZE: C DRAWING NO. HWS14895C	
		APPROVED BY:		REV. 1	
		SCALE: 1/1		SHEET 1 OF 1	

REV.	ECN	DATE	DESCRIPTION	CHG BY	APPD BY
1	23839	12/5/19	INITIAL RELEASE	DPO	MMA