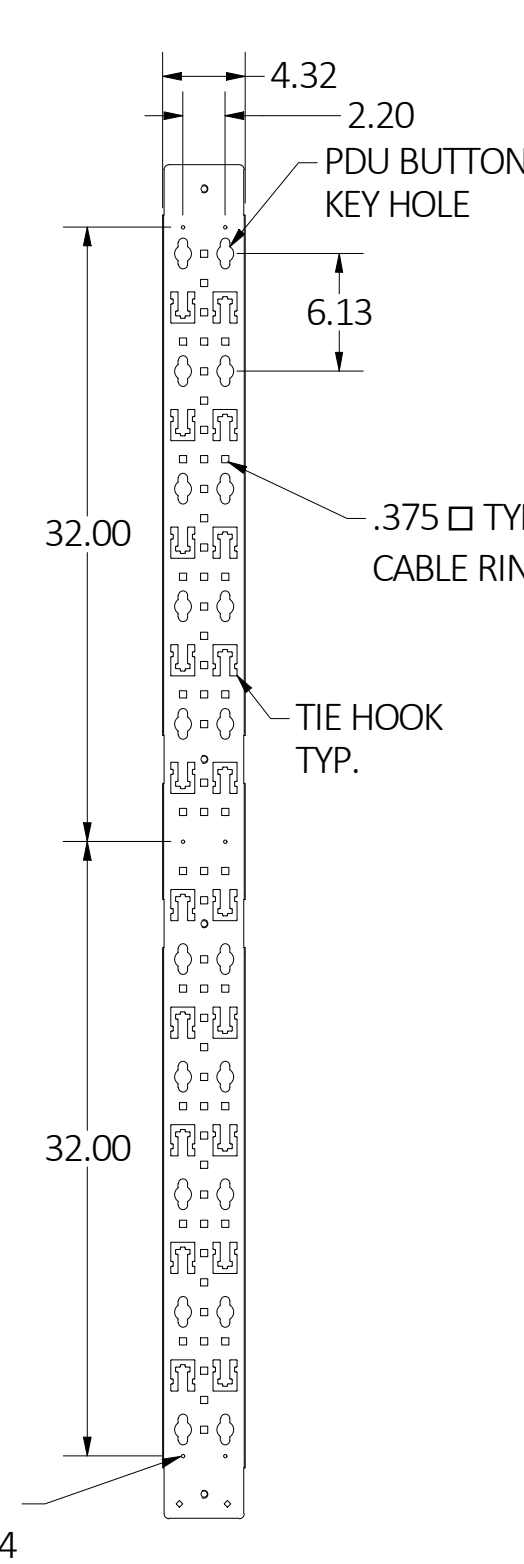
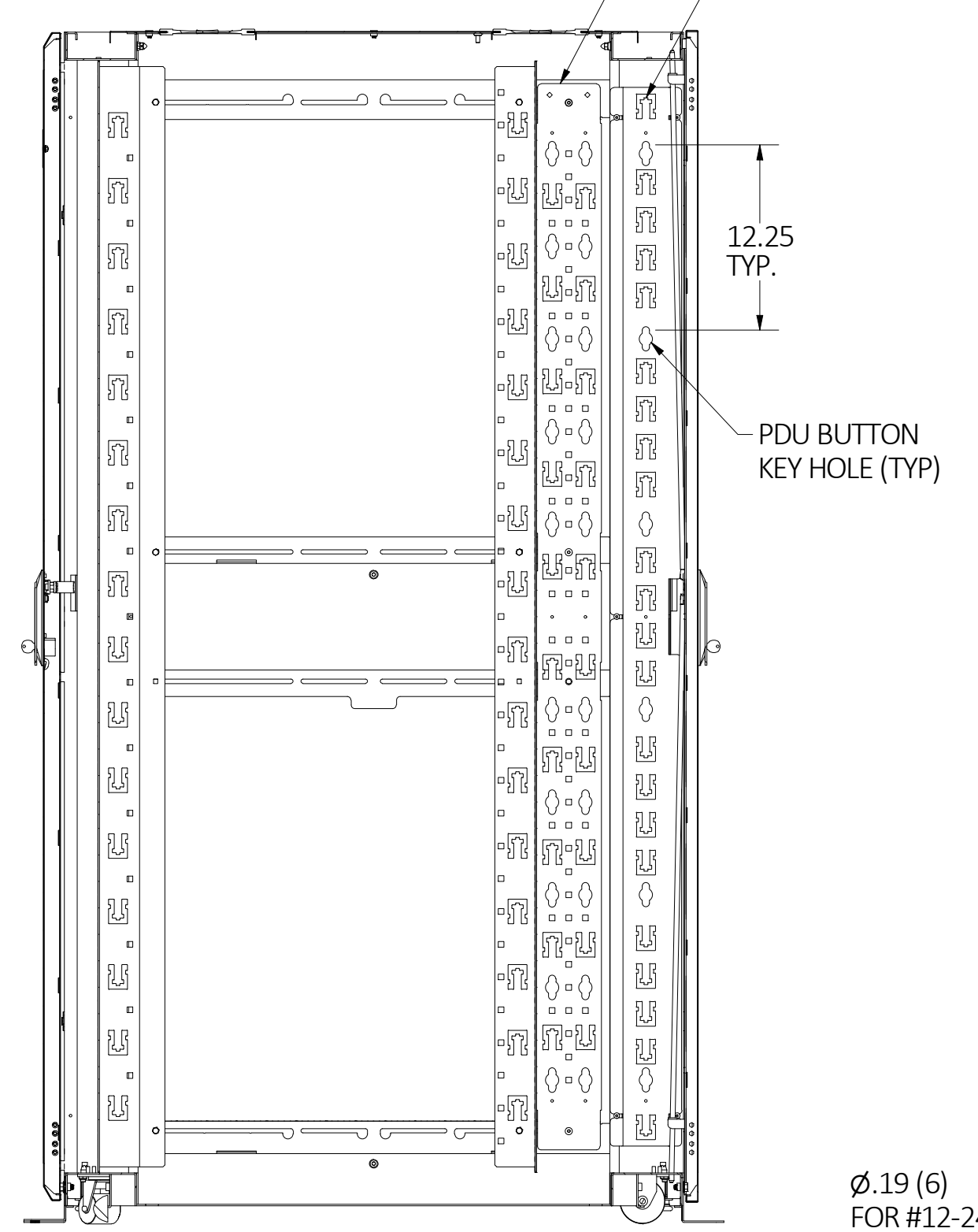
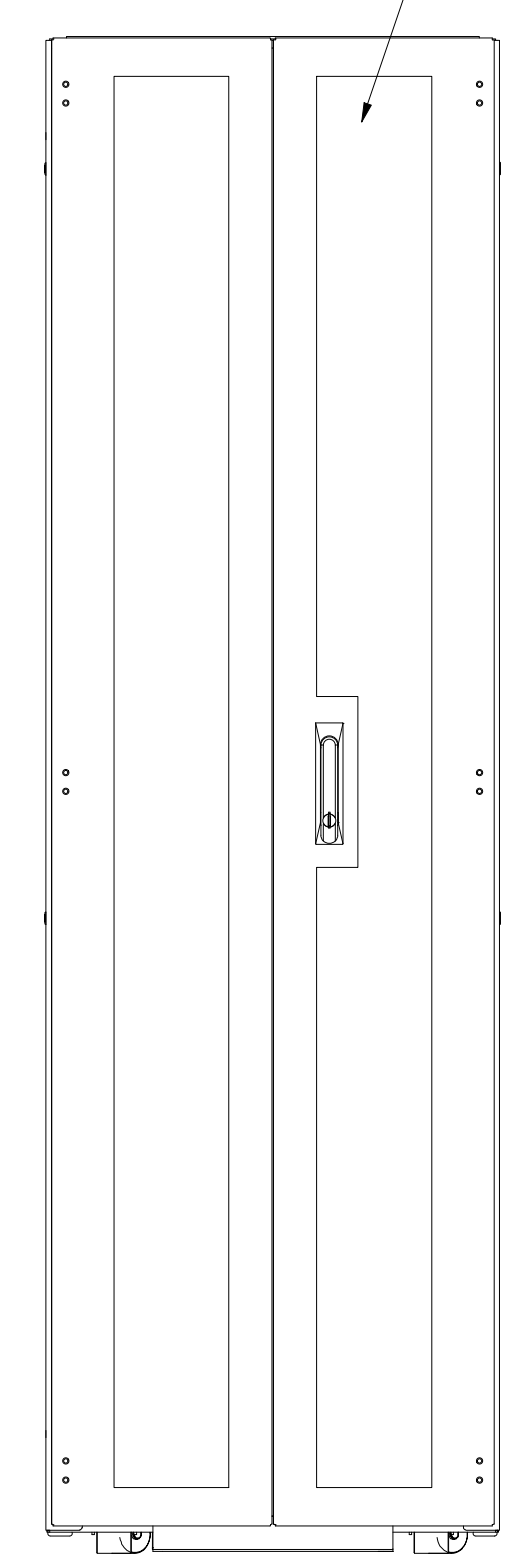
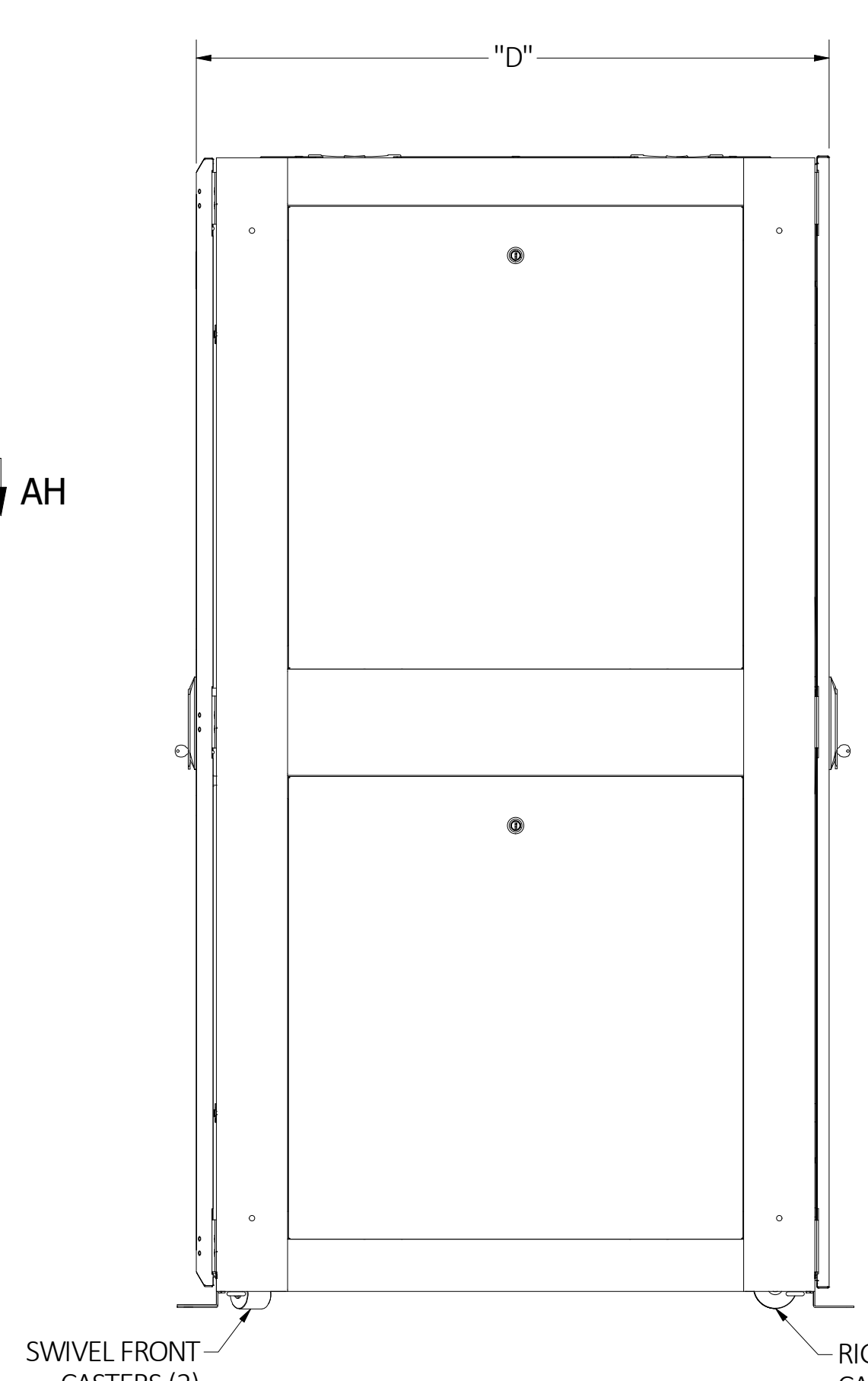
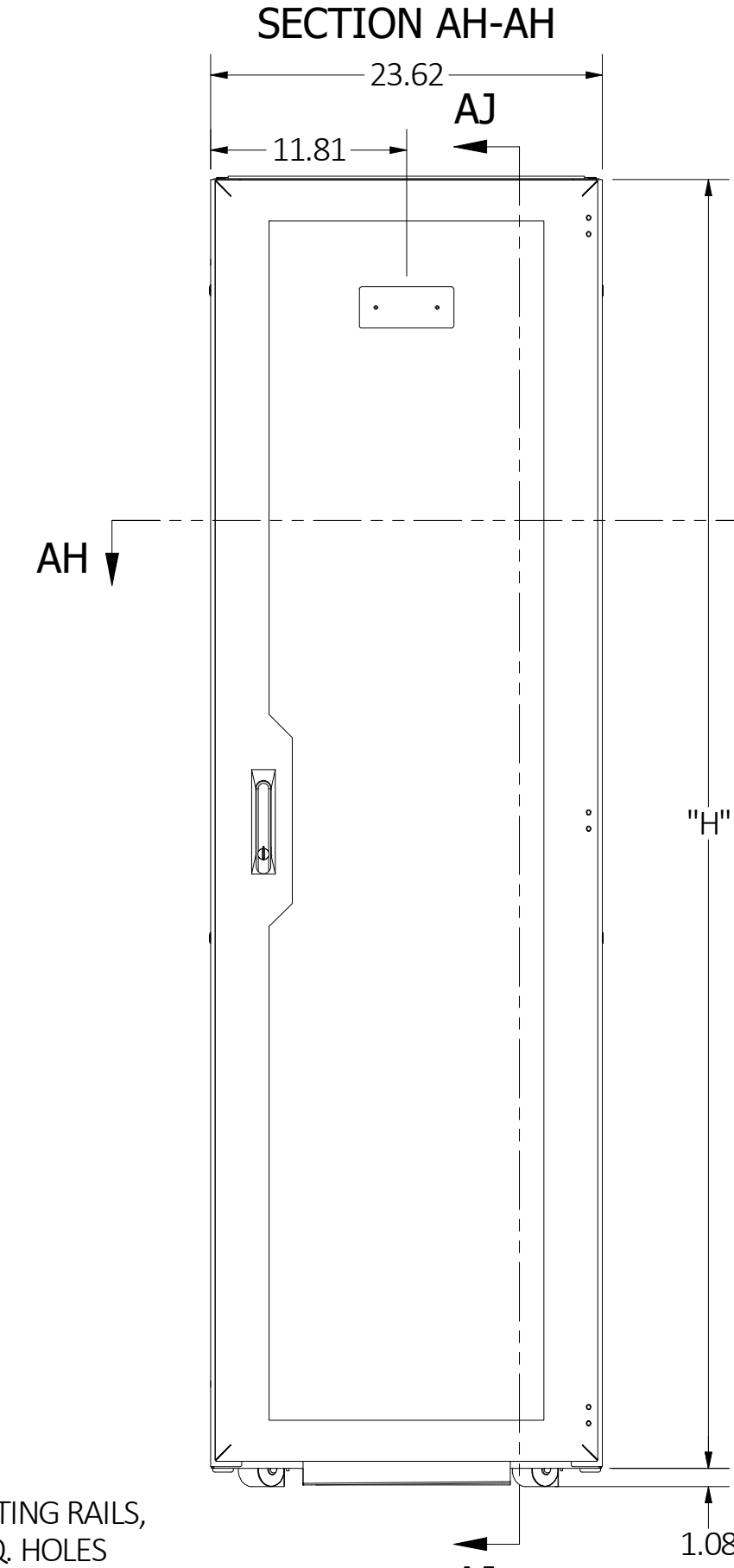
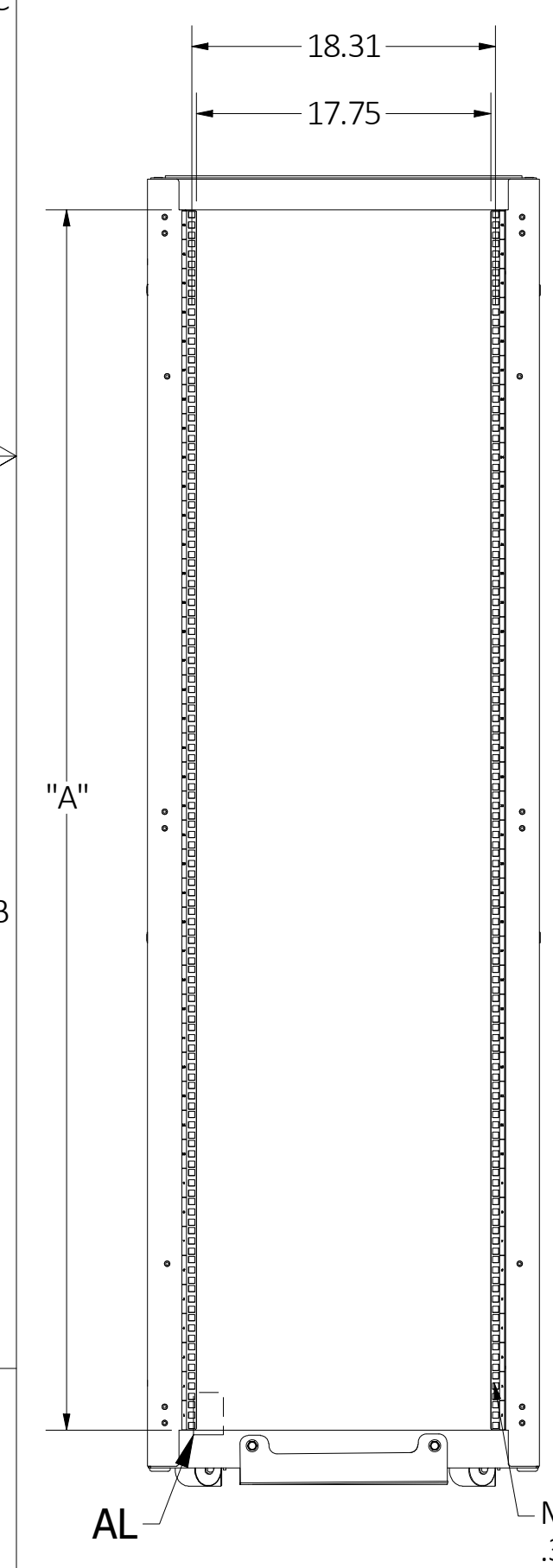
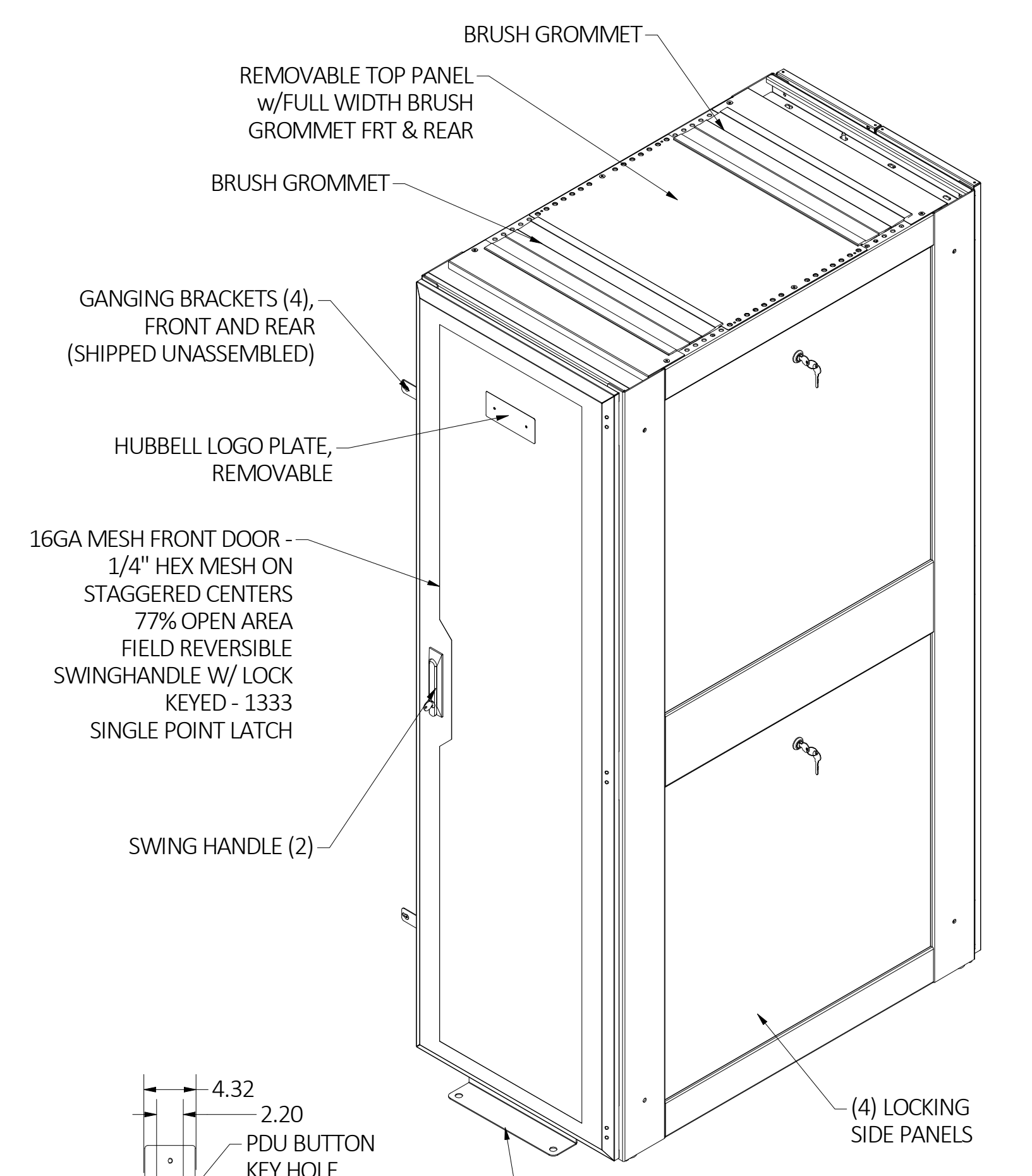
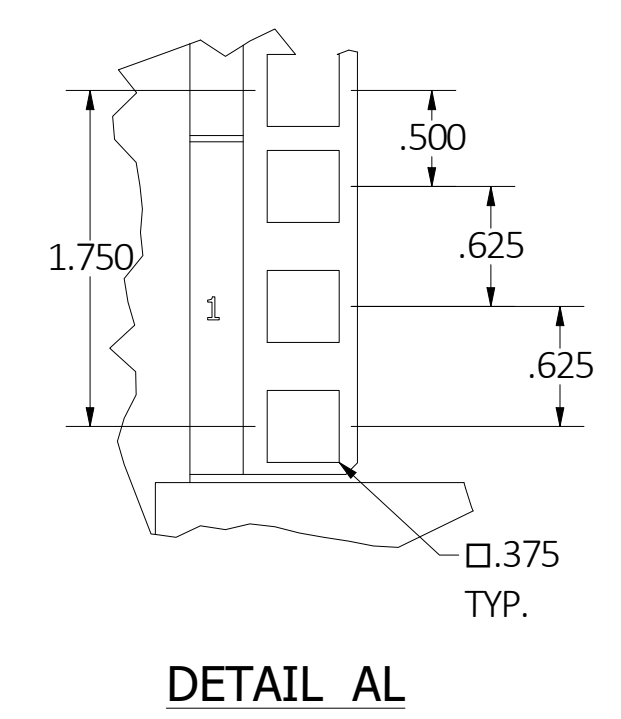
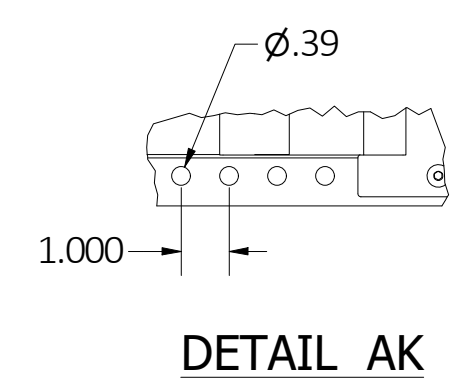
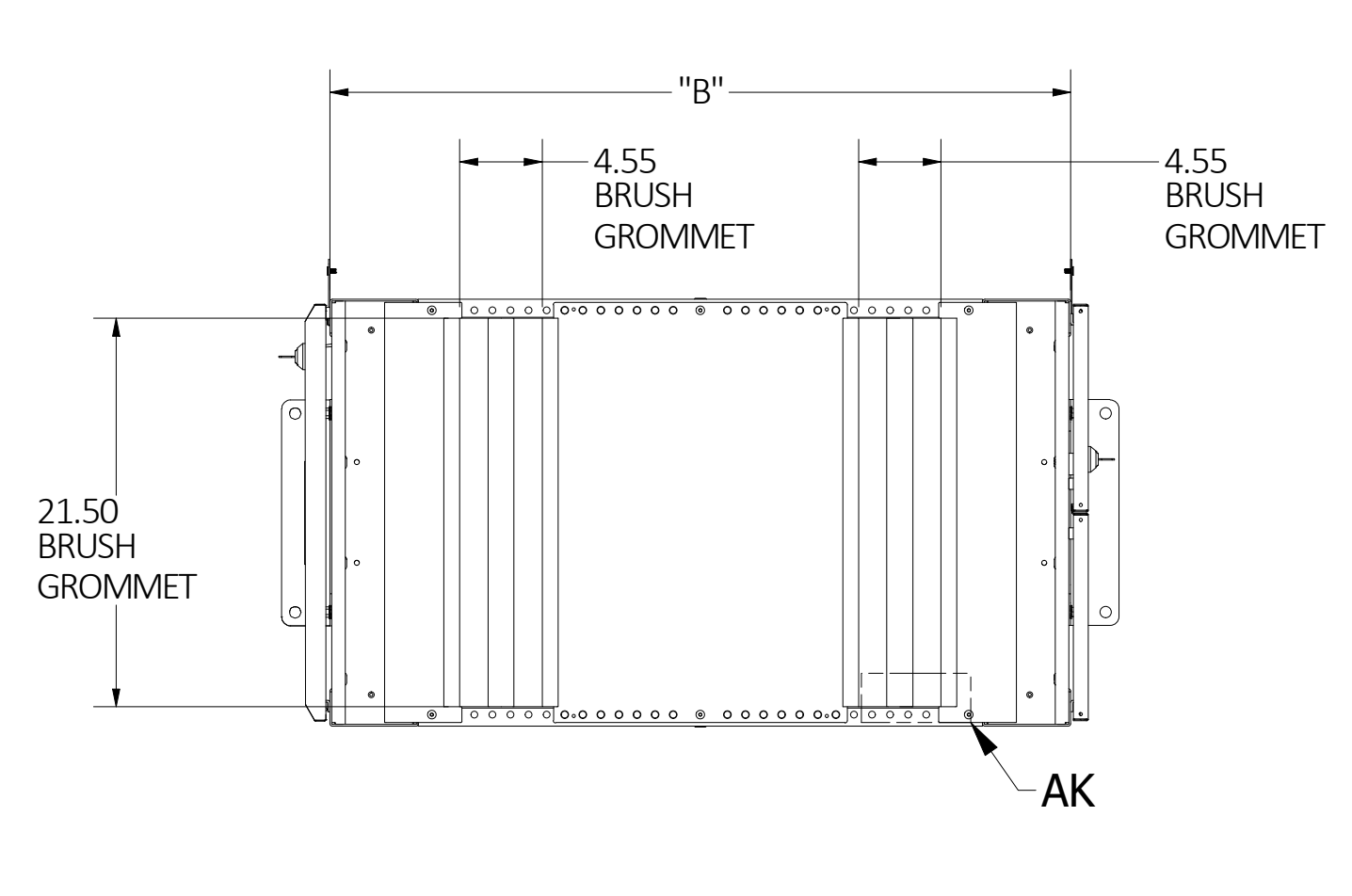
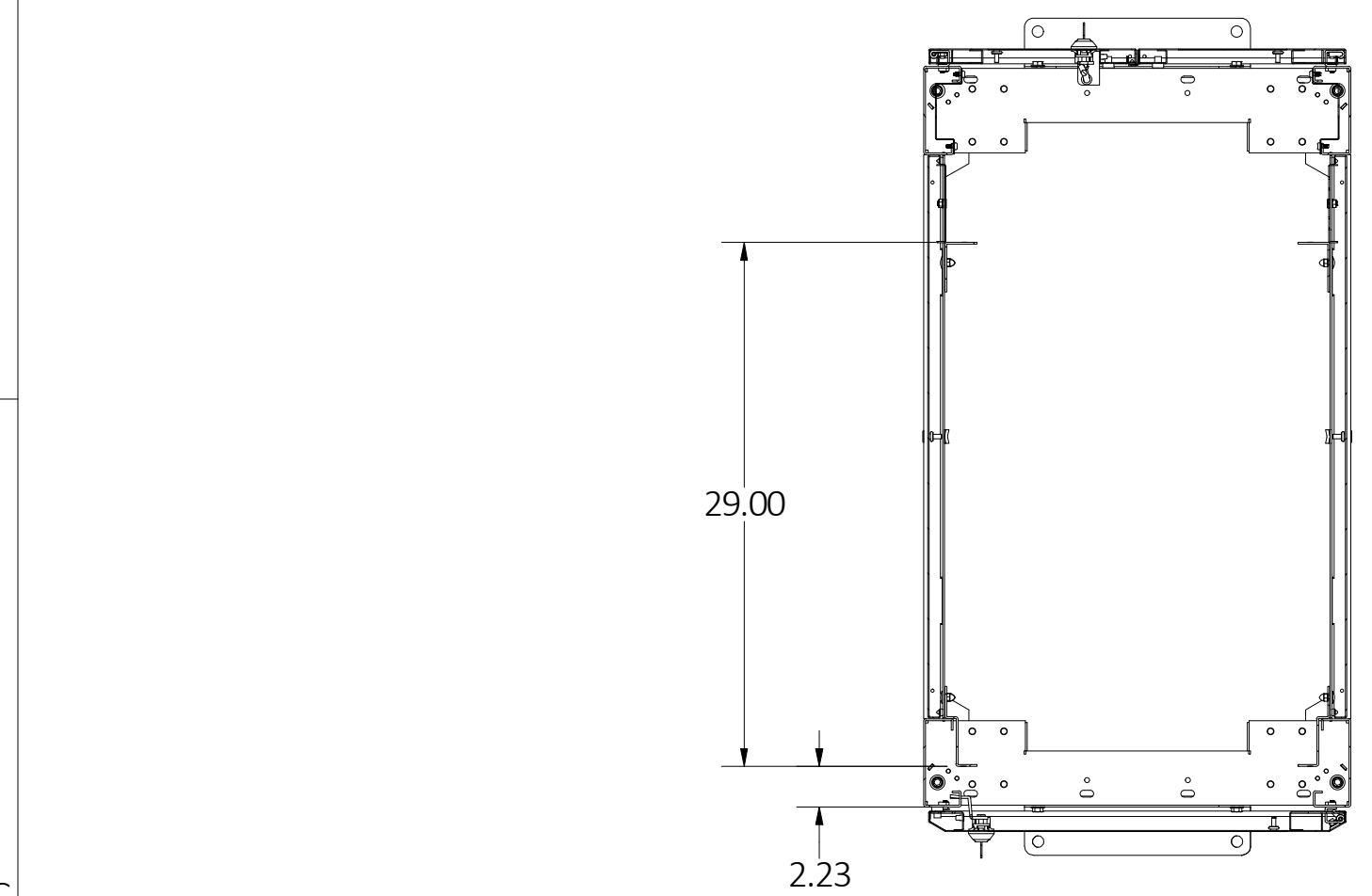


CATALOG NO	DESCRIPTION	HEIGHT "H"	OVERALL DEPTH "D"	FRAME DEPTH "B"	MOUNTING APERTURE "A"
HDC422444BK	HDC CABINET, 42RU, 24"W, 44D, BK	77.76	43.31	40.97	73.58
HDC422448BK	HDC CABINET, 42RU, 24"W, 48D, BK	77.76	47.24	44.9	73.58
HDC452444BK	HDC CABINET, 45RU, 24"W, 44D, BK	83.01	43.31	40.97	78.82
HDC452448BK	HDC CABINET, 45RU, 24"W, 48D, BK	83.01	47.24	44.9	78.82
HDC422444WH	HDC CABINET, 42RU 24"W,44"D,WH	77.76	43.31	40.97	73.58
HDC422448WH	HDC CABINET, 42RU 24"W,48"D,WH	77.76	47.24	44.9	73.58
HDC452444WH	HDC CABINET, 45RU 24"W,44"D,WH	83.01	43.31	40.97	78.82
HDC452448WH	HDC CABINET, 45RU 24"W,48"D,WH	83.01	47.24	44.9	78.82



- NOTES:
- SURFACE FINISH: POWDER COAT
 - SHIPPED UNASSEMBLED:
 - (50) M6 X 12mm SCREWS
 - (50) M6 CAGE NUTS
 - (4) GANGING BRACKETS
 - (8) 1.5" X 3.5" CABLE MANAGEMENT RINGS
 - (2) ANCHOR BRACKETS
 - (1) INSTRUCTION MANUAL
 - LOAD RATING : 3300 lbs.
 - CERTIFICATIONS: UL 2416 STANDARD FOR IT & COMMUNICATIONS EQUIPMENT ENCLOSURES
 - SPECIFICATIONS SUBJECT TO CHANGE WITHOUT NOTICE.

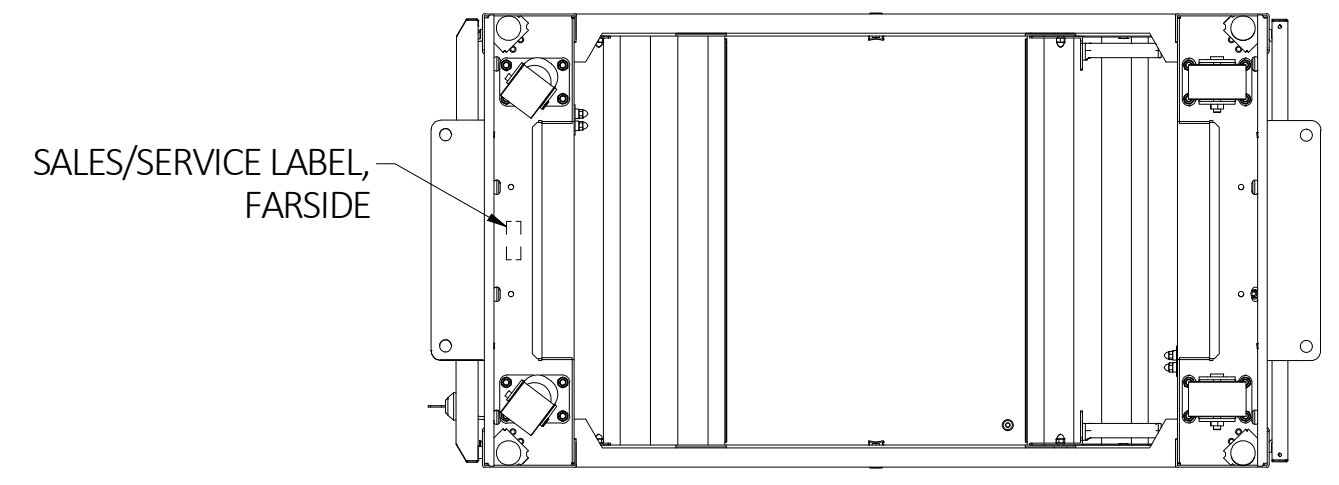
FRONT VIEW
DOOR NOT SHOWN
FOR CLARITY

FRONT VIEW

REAR VIEW

SECTION AJ-AJ

VERT. CABLE ORGANIZER



Created on INVENTOR

DIMENSIONING AND TOLERANCE PER ANSI Y14.5M-1982 UNLESS OTHERWISE SPECIFIED, DIMENSIONS ARE IN INCHES (MM). TOLERANCES: XX = ±.01 (.25) XXX = ±.005 (.127) .XXXX = ±.0025 (.0635) ANGLE TOL ±1°

IN ACCEPTING OUR DRAWINGS, BLUEPRINTS, OR SUPPORTING DOCUMENTATION FOR QUOTATION OR OTHER PURPOSES, YOU AGREE NOT TO DISCLOSE TO OTHERS THE IDEAS, INFORMATION, OR DESIGNS SHOWN HEREIN, AND THAT YOU WILL MAKE NO USE OF SAME WITHOUT PERMISSION

PROJECT REFERENCE: NPD 3682

MATERIAL: CRS

DRAWN BY: S.RUBAN 10/10/2022

CHECKED BY:

APPROVED BY:

Hubbell Hubbell Premise Wiring
HUBBELL INCORPORATED (Delaware)
23 CLARA DRIVE, SUITE 103 MYSTIC, CT 06355

TITLE: HDC SERVER CABINETS

SIZE: D DRAWING NO. HWS15176C REV. 1

SCALE: SHEET 1 OF 1

REV.	ECN	DATE	DESCRIPTION	CHG BY	APPD BY
1	221111025576	10/10/2022	INITIAL RELEASE	RSS	MMA