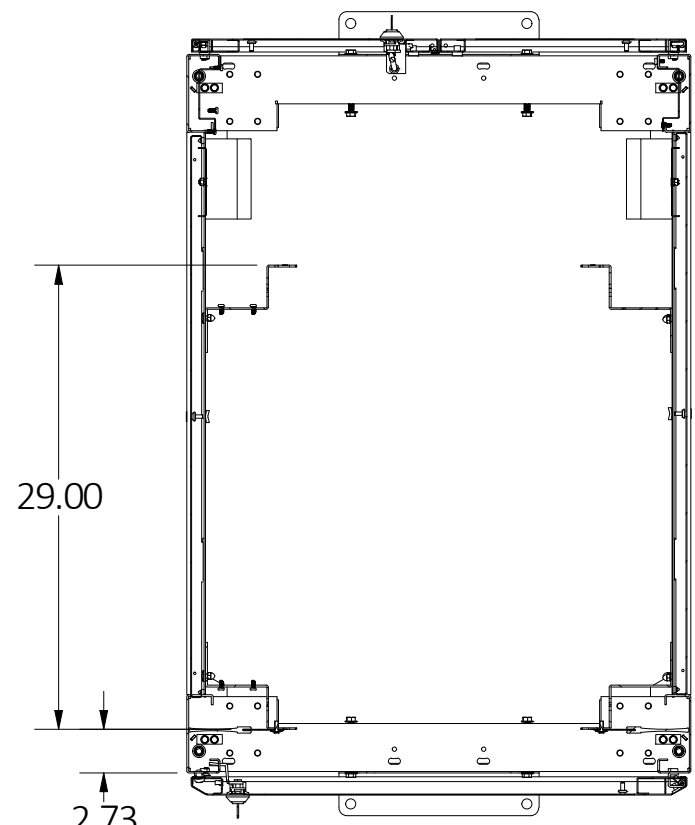
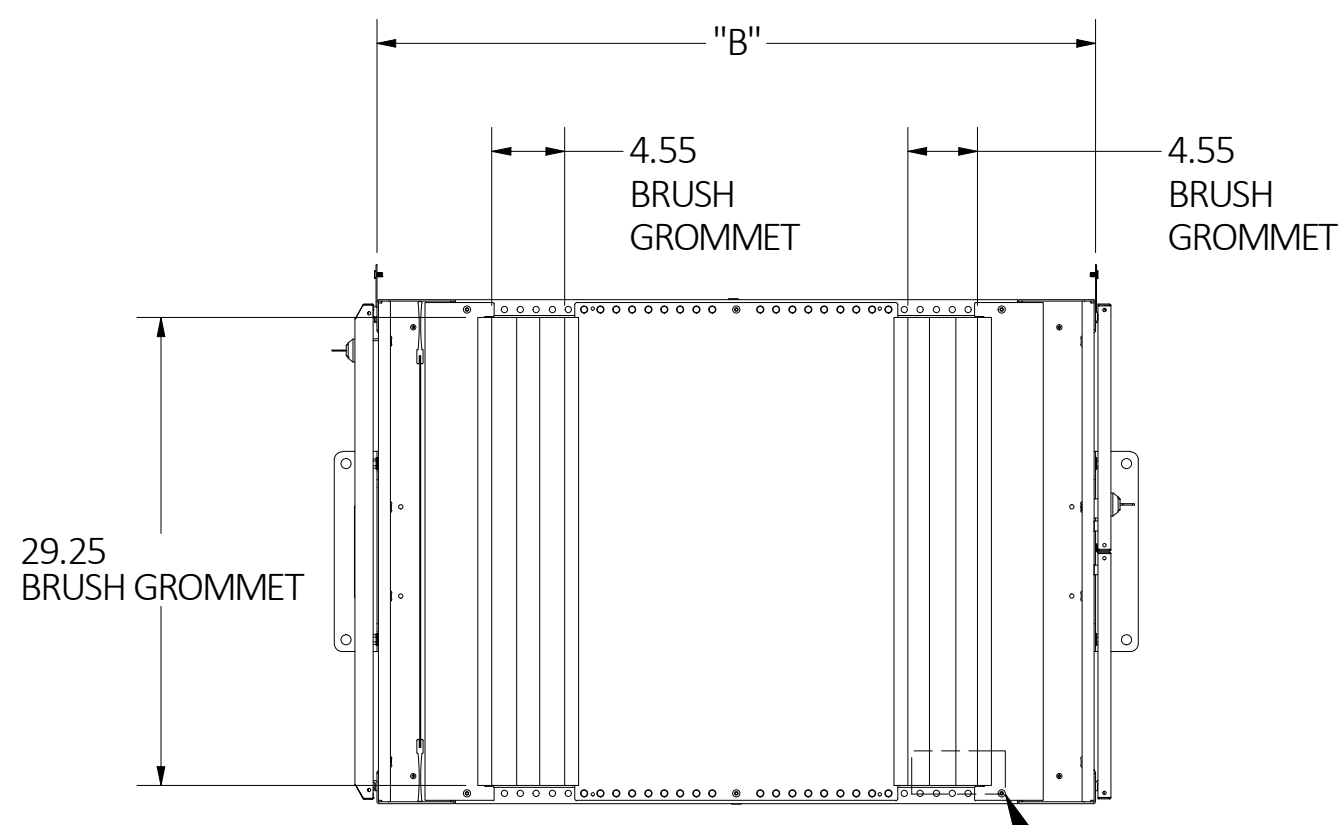


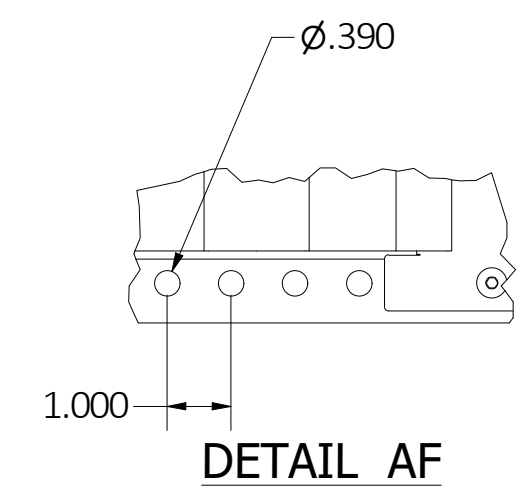
CATALOG NO	DESCRIPTION	HEIGHT "H"	OVERALL DEPTH "D"	FRAME DEPTH "B"	MOUNTING APERTURE "A"
HDC453248WH	HDC CABINET, 45RU 32"W,48"D,WH	83.01	47.24	44.9	78.82
HDC483248WH	HDC CABINET, 48RU 32"W,48"D,WH	88.26	47.24	44.9	84.07
HDC483248BK	HDCCABINET, 48RU 32"W,48"D,BK	88.26	47.24	44.9	84.07
HDC453248BK	HDC CABINET, 45RU, 32"W, 48D, BK	83.01	47.24	44.9	78.82



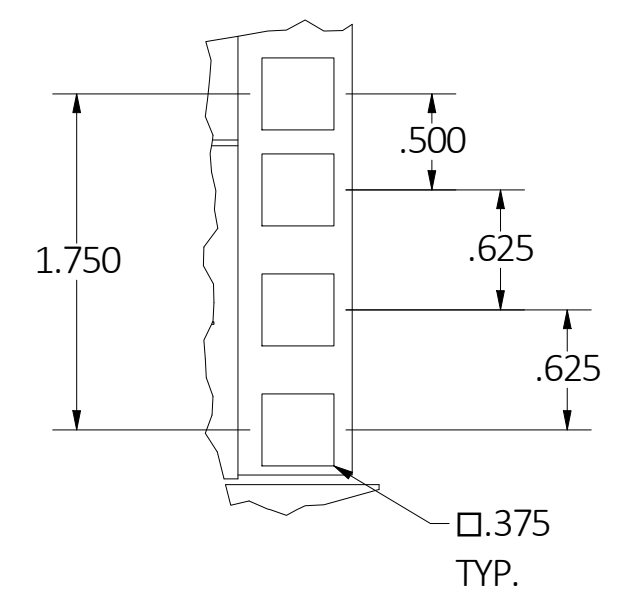
SECTION AD-AD



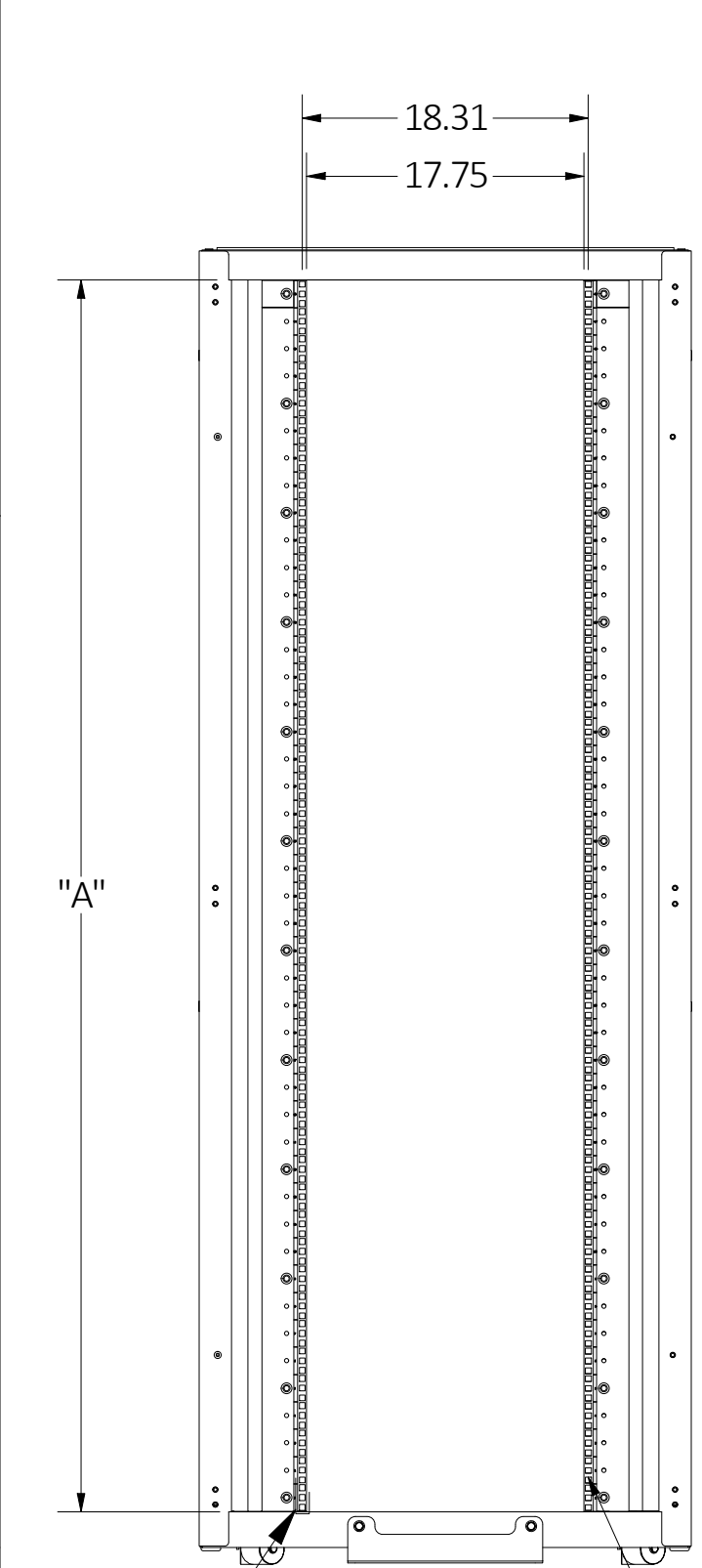
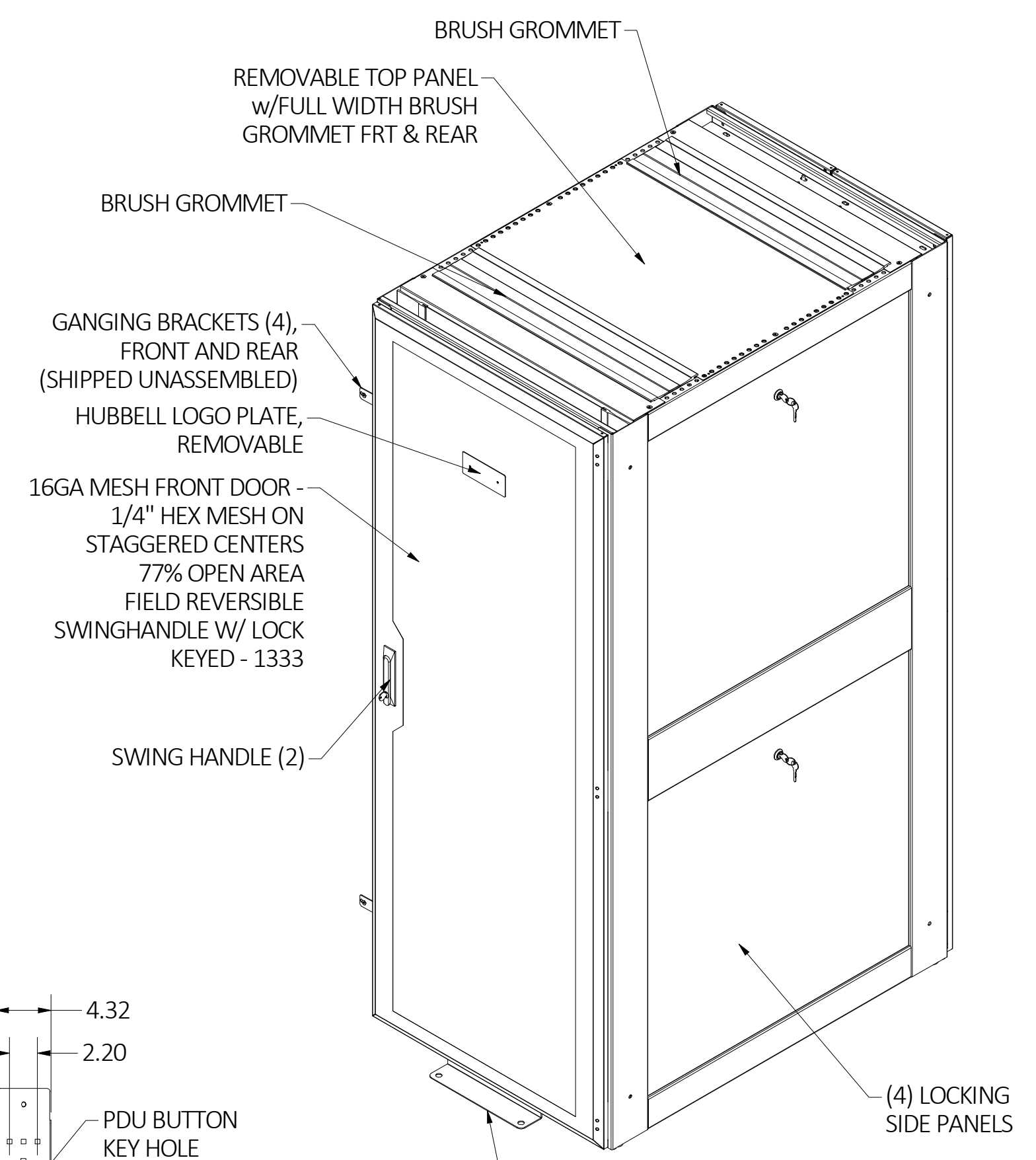
AF



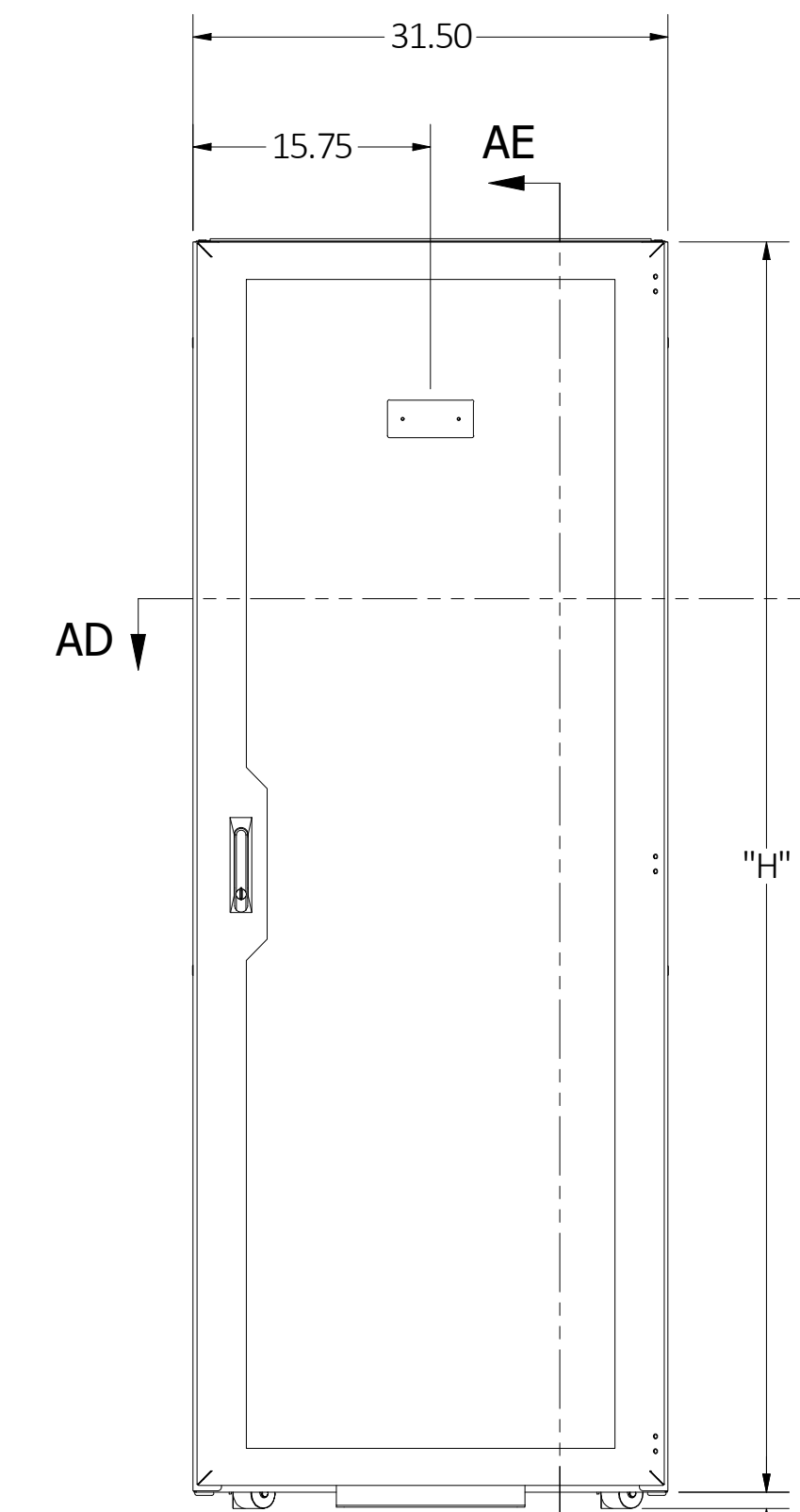
DETAIL AF



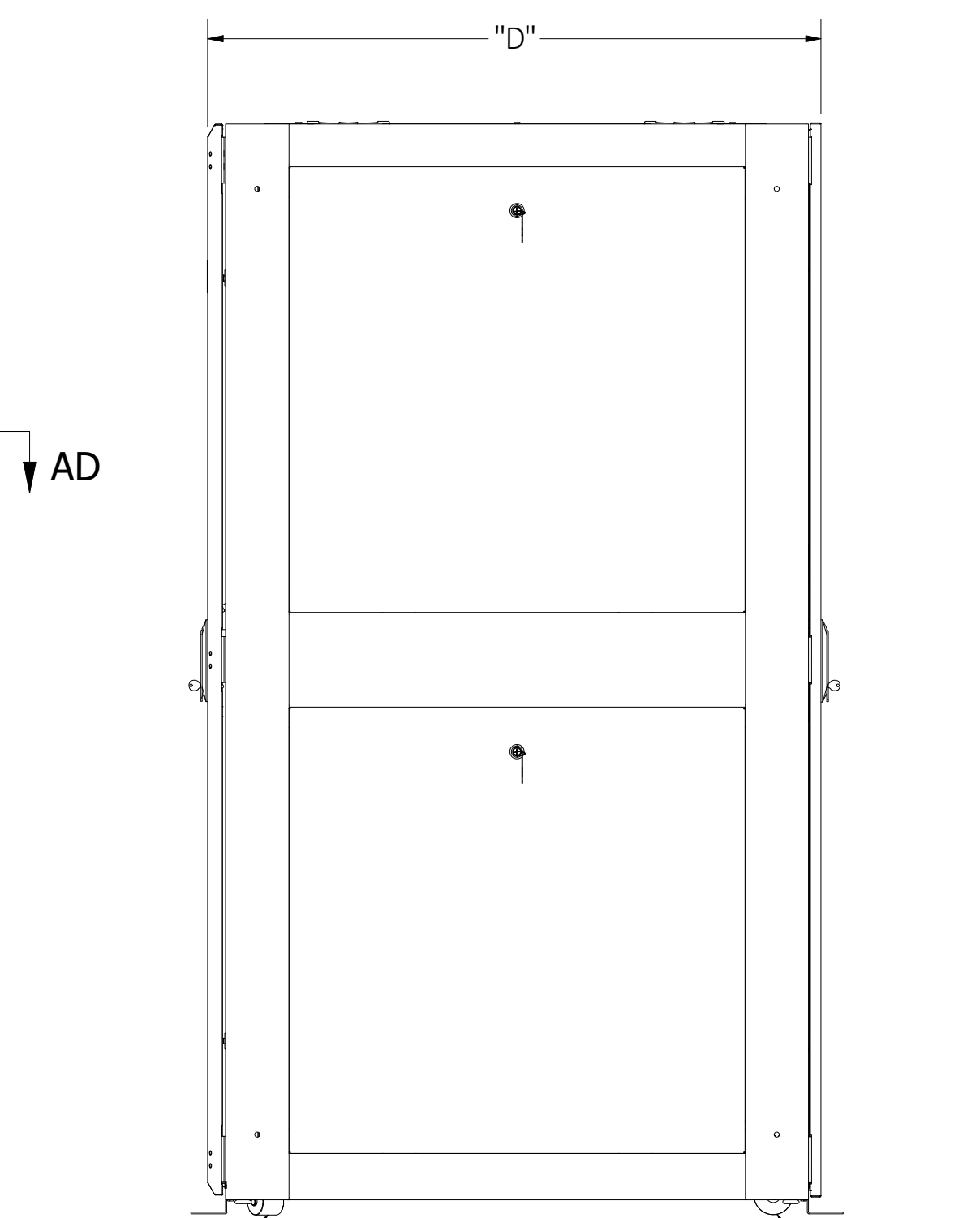
DETAIL AG



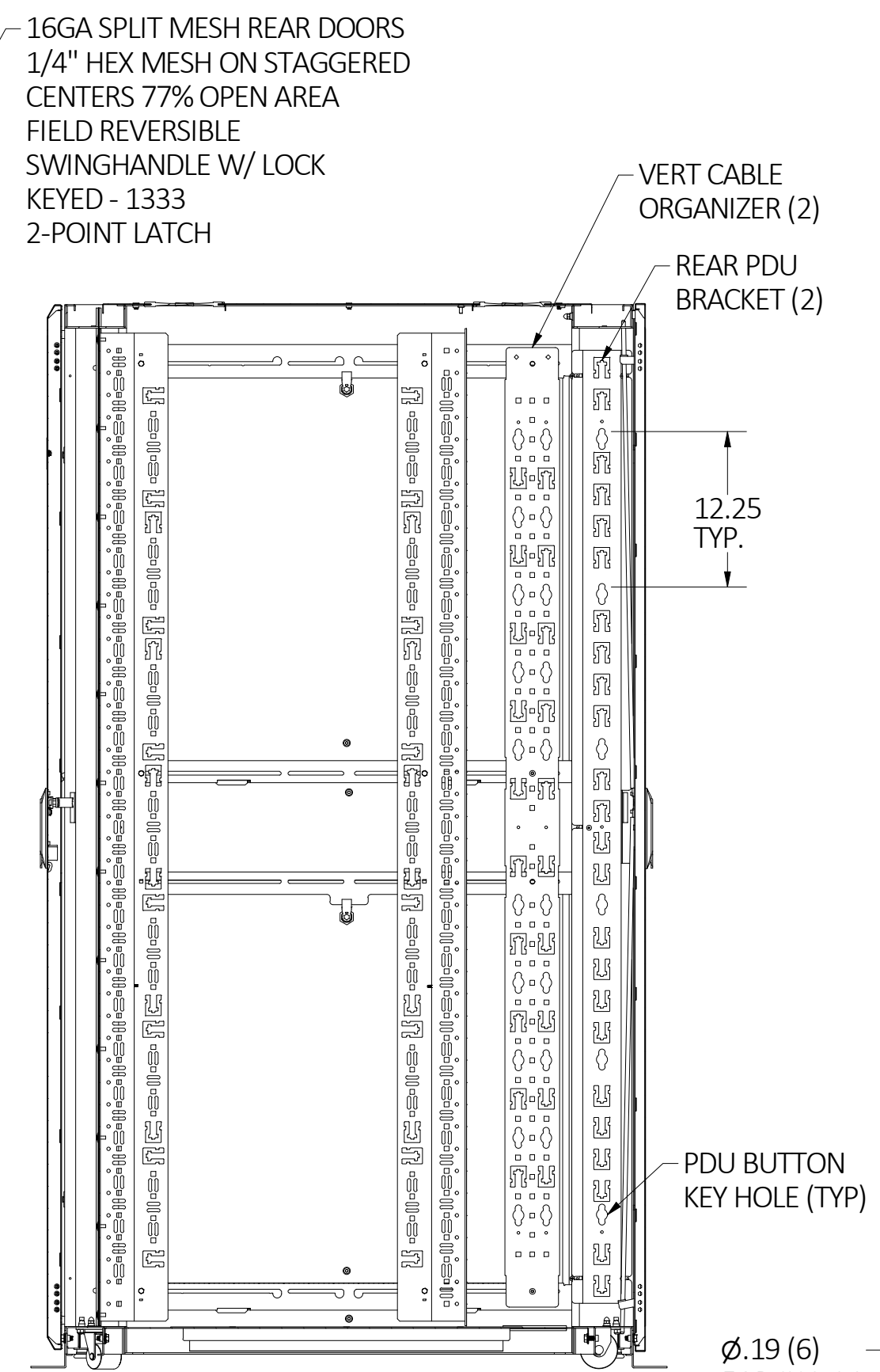
FRONT VIEW
DOOR NOT SHOWN
FOR CLARITY



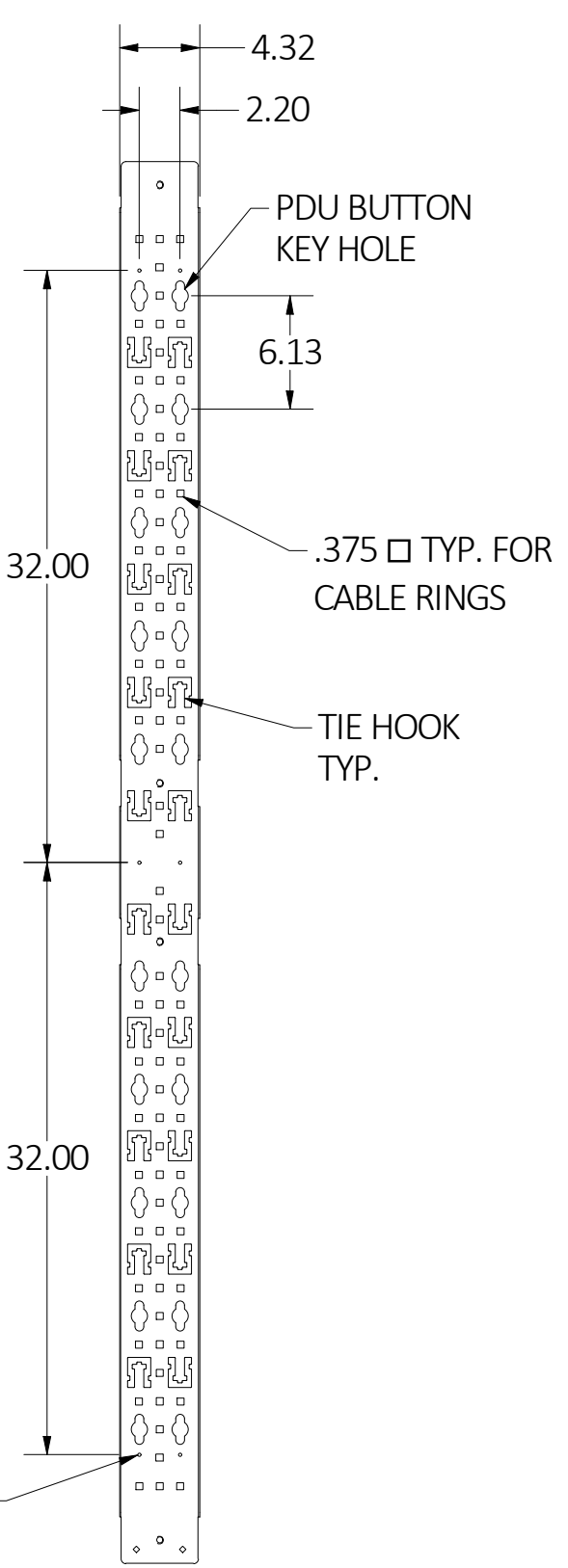
FRONT VIEW



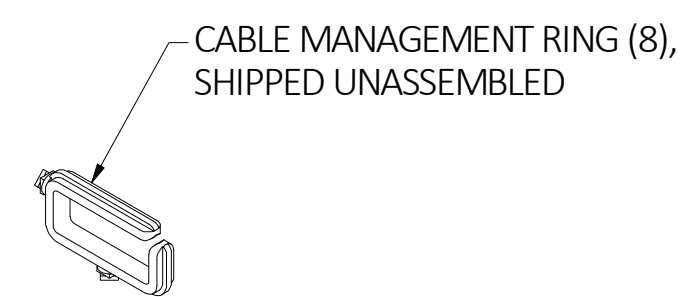
REAR VIEW



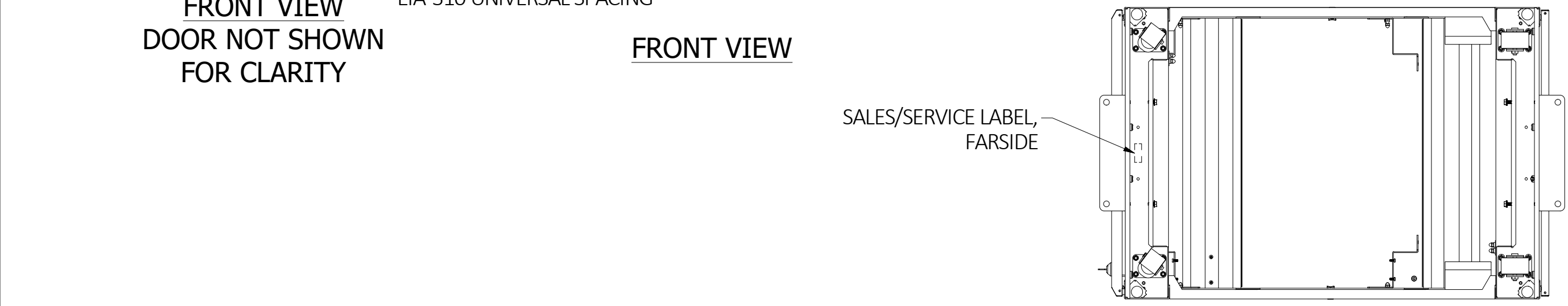
SECTION AE-AE



VERT. CABLE ORGANIZER



- NOTES:
1. SURFACE FINISH: POWDER COAT
 2. SHIPPED UNASSEMBLED:
 - (50) M6 X 12mm SCREWS
 - (50) M6 CAGE NUTS
 - (4) GANGING BRACKETS
 - (8) 1.5" X 3.5" CABLE MANAGEMENT RINGS
 - (2) ANCHOR BRACKETS
 - (1) INSTRUCTION MANUAL
 3. LOAD RATING : 3300 lbs.
 4. CERTIFICATIONS : UL 2416 STANDARD FOR IT & COMMUNICATIONS EQUIPMENT ENCLOSURES
 5. SPECIFICATIONS SUBJECT TO CHANGE WITHOUT NOTICE.



SALES/SERVICE LABEL
FARSIDE

Created on INVENTOR	DIMENSIONING AND TOLERANCE PER ANSI Y14.5M-1982 UNLESS OTHERWISE SPECIFIED, DIMENSIONS ARE IN INCHES (MM). TOLERANCES: XX = ±.01 (.25) XXX = ±.005 (.127) .XXXX = ±.0025 (.0635) ANGLE TOL ±1°		PROJECT REFERENCE: NPD 3682	Hubbell Premise Wiring HUBBELL INCORPORATED (Delaware) 23 CLARA DRIVE, SUITE 103 MYSTIC, CT 06355
	IN ACCEPTING OUR DRAWINGS, BLUEPRINTS, OR SUPPORTING DOCUMENTATION FOR QUOTATION OR OTHER PURPOSES, YOU AGREE NOT TO DISCLOSE TO OTHERS THE IDEAS, INFORMATION, OR DESIGNS SHOWN HEREIN, AND THAT YOU WILL MAKE NO USE OF SAME WITHOUT PERMISSION		MATERIAL: SEE NOTES	
	DRAWN BY: S.RUBAN 10/10/2022		TITLE: HDC NETWORK CABINETS	
	CHECKED BY:		SIZE: DRAWING NO. D HWS15177C	
APPROVED BY:		REV. 1	SCALE: SHEET 1 OF 1	

REV.	ECN	DATE	DESCRIPTION	CHG BY	APPD BY
1	221111025576	10/10/2022	INITIAL RELEASE	RSS	MMA