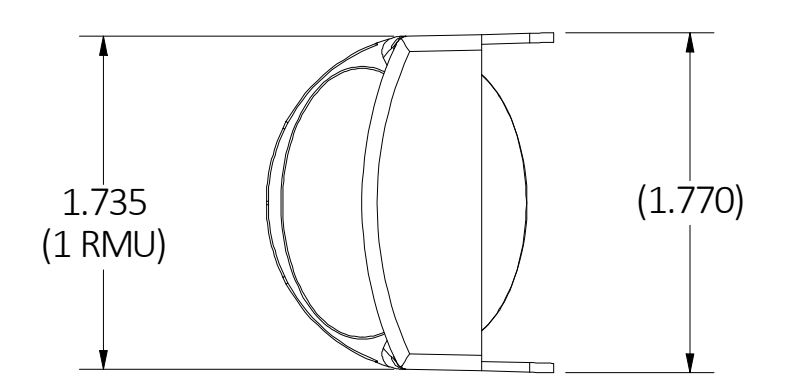
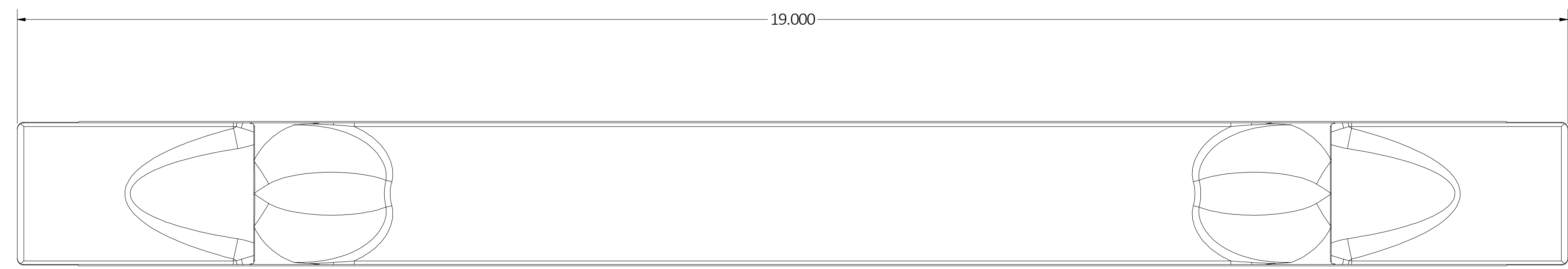
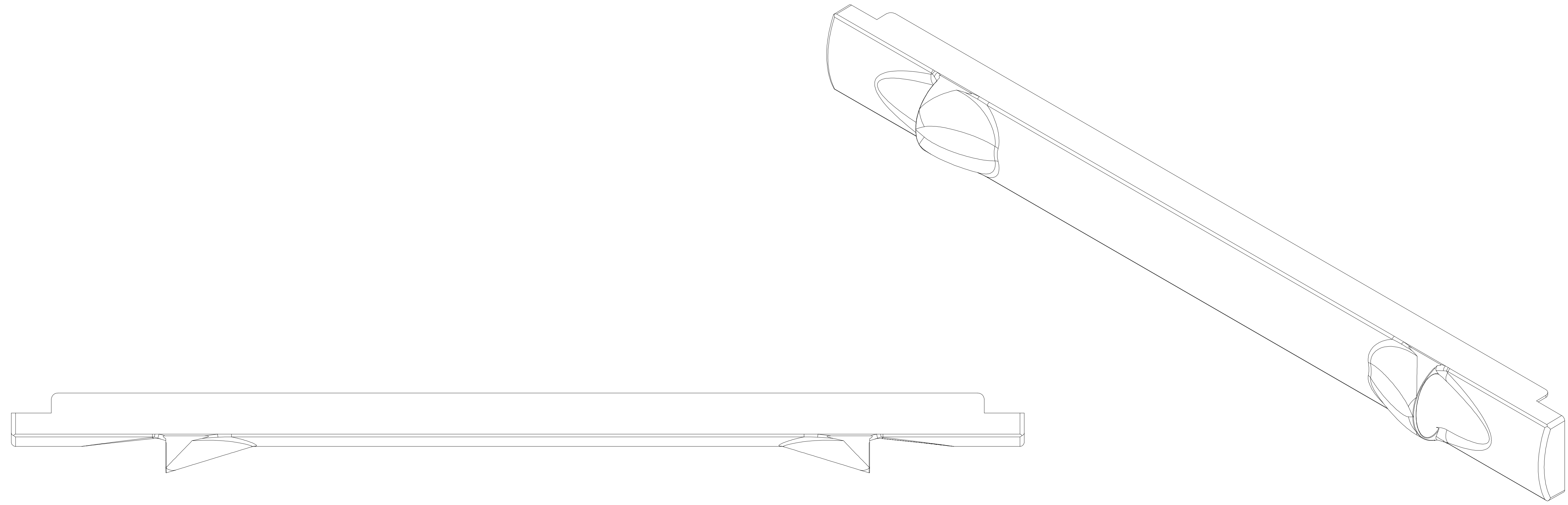


CATALOG NO.  
HDCFP



1. KIT SHOULD CONTAIN :  
PLACE 10 PANELS
2. SPECIFICATION SUBJECT TO CHANGE WITHOUT NOTICE.

REV.	ECN	DATE	DESCRIPTION	CHG BY	APPD BY
1	221111025576	11/22/2022	INITIAL RELEASE	RSS	MMA

Created on INVENTOR

**DIMENSIONING AND TOLERANCE**  
PER ANSI Y14.5M-1982  
UNLESS OTHERWISE SPECIFIED,  
DIMENSIONS ARE IN INCHES (MM).  
TOLERANCES:XX = ±.01 (.25)  
.XXX = ±.005 (.127)  
.XXXX = ±.0025 (.0635)  
ANGLE TOL ±1°

IN ACCEPTING OUR DRAWINGS,  
BLUEPRINTS, OR SUPPORTING  
DOCUMENTATION FOR QUOTATION  
OR OTHER PURPOSES, YOU AGREE NOT  
TO DISCLOSE TO OTHERS THE IDEAS,  
INFORMATION, OR DESIGNS SHOWN  
HEREIN, AND THAT YOU WILL MAKE NO  
USE OF SAME WITHOUT PERMISSION

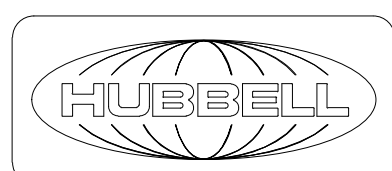
**PROJECT REFERENCE:**  
NPD 3682

**MATERIAL:**  
BLACK PLASTIC

**DRAWN BY:**  
S.RUBAN 11/22/2022

**CHECKED BY:**

**APPROVED BY:**

 <b>Hubbell Premise Wiring</b> HUBBELL INCORPORATED (Delaware) 23 CLARA DRIVE, SUITE 103 MYSTIC, CT 06355		<b>TITLE:</b> HDC CABINET, FILLER PANEL, 1RU,19",10PK	
		<b>SIZE</b> DRAWING NO. <b>D</b> HWS15178C	<b>REV.</b> <b>1</b>
<b>SCALE:</b>		SHEET <b>1</b> OF <b>1</b>	