

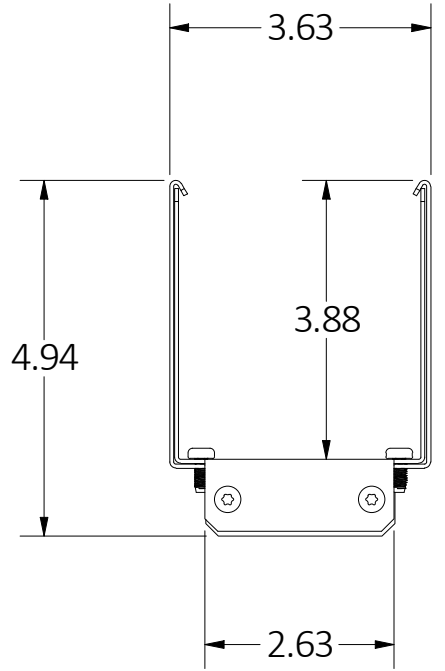
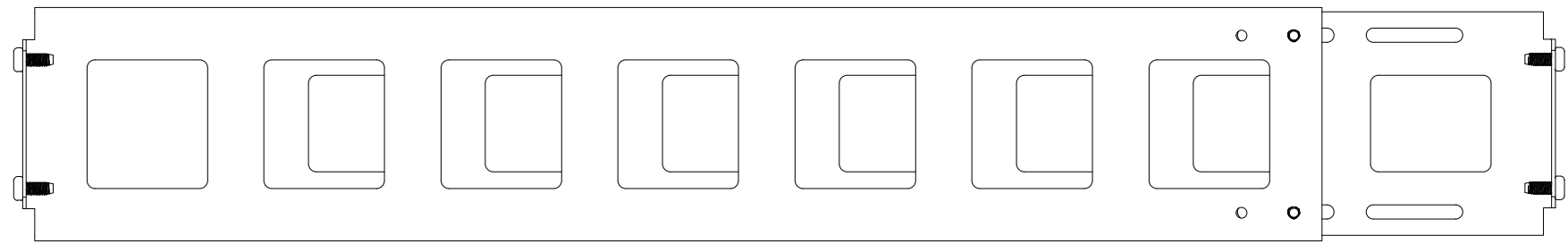
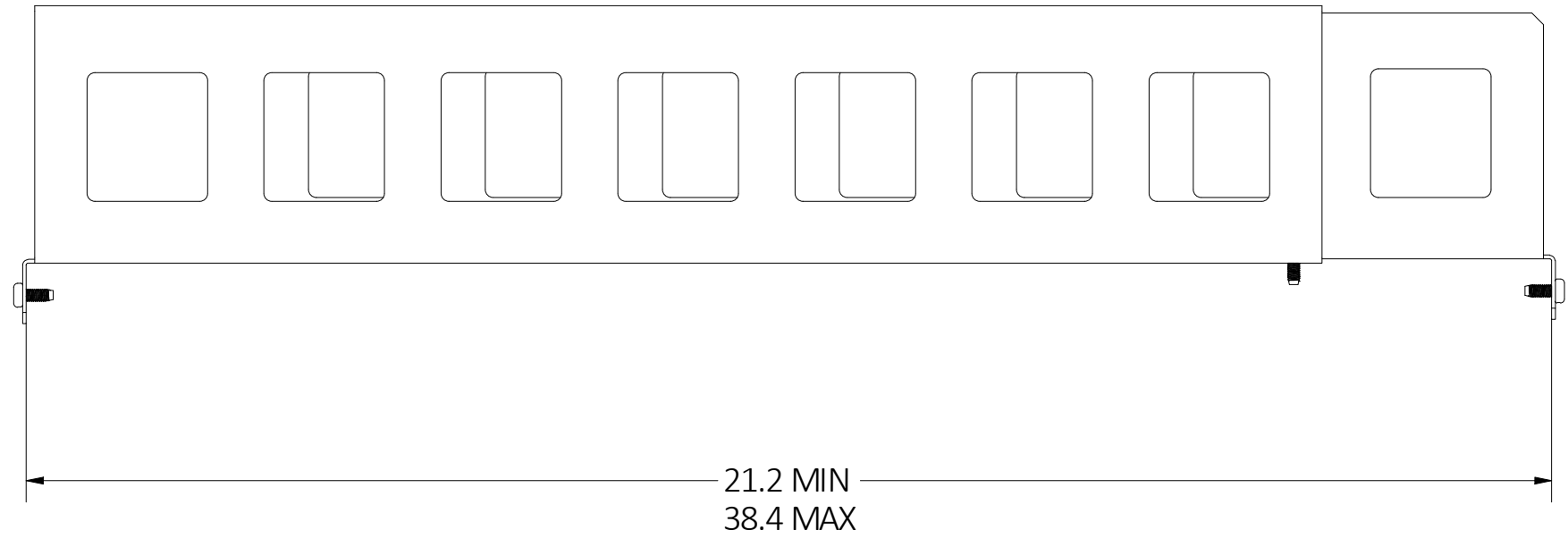
CATALOG NO.  
HDCFRT

D

C

B

A



INNER CHANNEL

OUTER CHANNEL

M5 X 12mm TORX SCREW (6)

NOTES:

1. SURFACE FINISH: POWDER COATING
2. SPECIFICATION SUBJECT TO CHANGE WITHOUT NOTICE.

1	221111025576	10/10/2022	INITIAL RELEASE	RSS	MMA
REV.	ECN	DATE	DESCRIPTION	CHG BY	APPD BY

Created on INVENTOR

**DIMENSIONING AND TOLERANCE PER ANSI Y14.5M-1982 UNLESS OTHERWISE SPECIFIED, DIMENSIONS ARE IN INCHES (MM). TOLERANCES.XX = ±.01 (.25) .XXX = ±.005 (.127) .XXXX = ±.0025 (.0635) ANGLE TOL ±1°**

IN ACCEPTING OUR DRAWINGS, BLUEPRINTS, OR SUPPORTING DOCUMENTATION FOR QUOTATION OR OTHER PURPOSES, YOU AGREE NOT TO DISCLOSE TO OTHERS THE IDEAS, INFORMATION, OR DESIGNS SHOWN HEREIN, AND THAT YOU WILL MAKE NO USE OF SAME WITHOUT PERMISSION

PROJECT REFERENCE:  
NPD 3682

MATERIAL:  
16 GA CRS

DRAWN BY:  
S.RUBAN 10/10/2022

CHECKED BY:

APPROVED BY:

		<b>Hubbell Premise Wiring</b> HUBBELL INCORPORATED (Delaware) 23 CLARA DRIVE, SUITE 103 MYSTIC, CT 06355	
		TITLE: HDC CABINET FRONT TO REAR THROUGH	
SIZE	DRAWING NO.	REV.	
<b>C</b>	<b>HWS15180C</b>	<b>1</b>	
SCALE:		SHEET 1 OF 1	

D

C

B

A

4

3

2

1