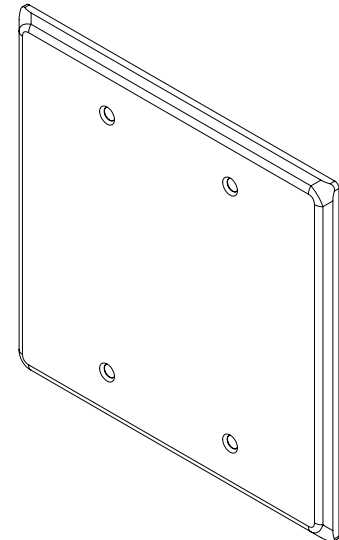
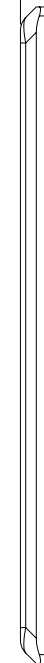


$\varnothing 0.16$   
[Ø4]  
(4 PLACES)

.20  
[5]



CATALOG NUMBER	2FB
	
<small>THIS DOCUMENT IS THE PROPERTY OF KILLARK. IT IS LOANED TO YOU AND MUST NOT BE USED IN ANY WAY DETRIMENTAL TO THE INTEREST OF KILLARK.</small>	