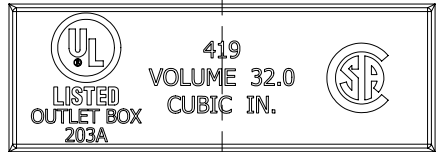
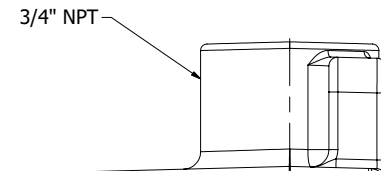
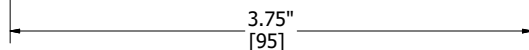


5.53" [140]

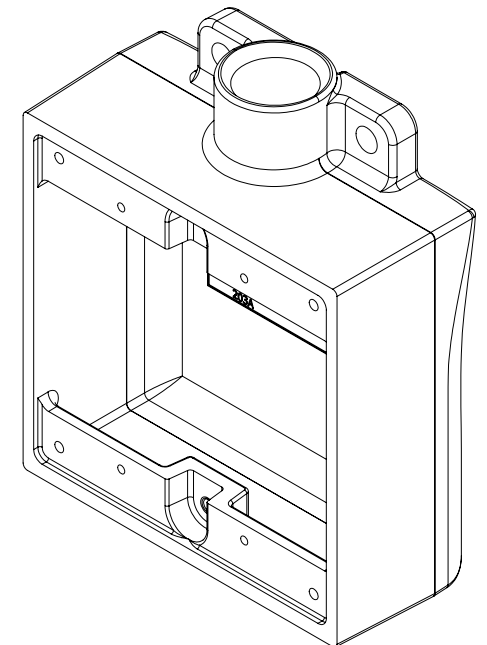
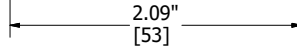
3.63" [92] 2.94" [75]



3.35" [85] 3.69" [94]



4.56" [116]



| | |
|----------------|--|
| CATALOG NUMBER | 2FS-2 |
| KILLARK | <small>THIS DOCUMENT IS THE PROPERTY OF KILLARK. IT IS LOANED TO YOU AND MUST NOT BE USED IN ANY WAY DETRIMENTAL TO THE INTEREST OF KILLARK.</small> |