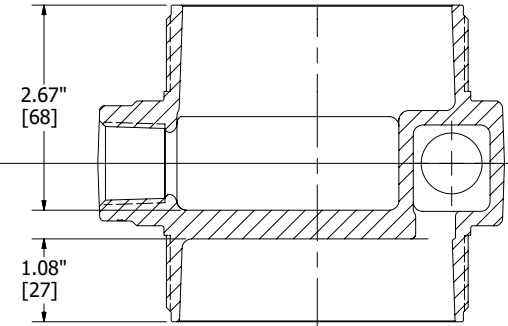
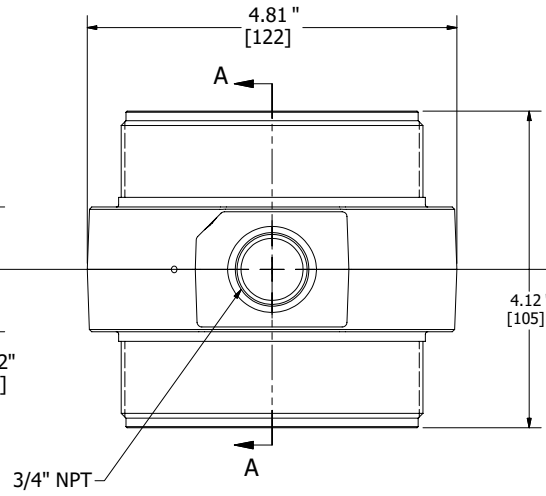
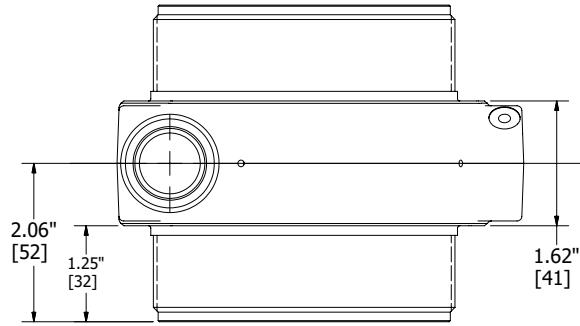
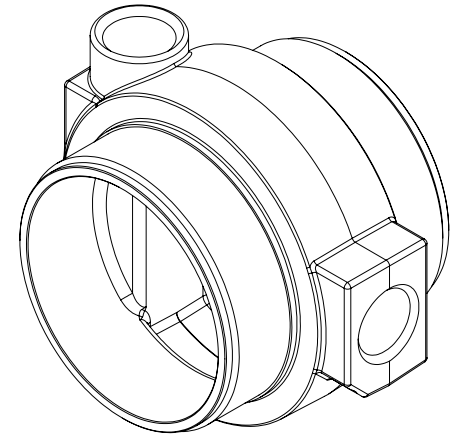
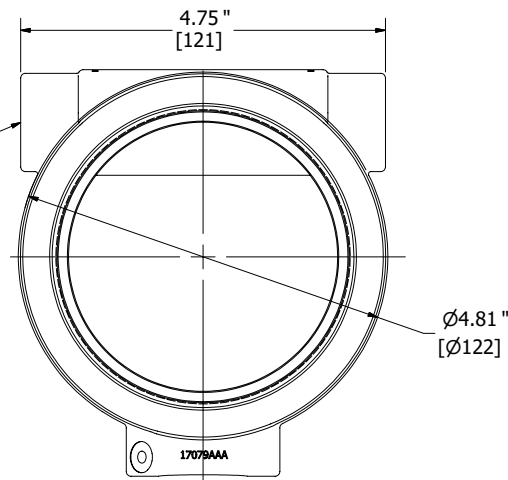
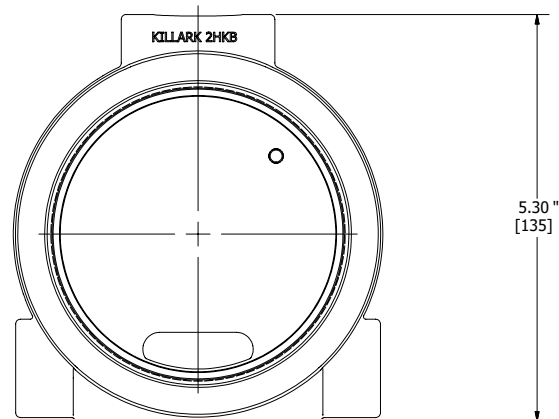


3/4" NPT
ON BOTH SIDE



SECTION A-A



CATALOG NUMBER	2HKB
 KILLARK	<small>THIS DOCUMENT IS THE PROPERTY OF KILLARK. IT IS LOANED TO YOU AND MUST NOT BE USED IN ANY WAY DETRIMENTAL TO THE INTEREST OF KILLARK.</small>